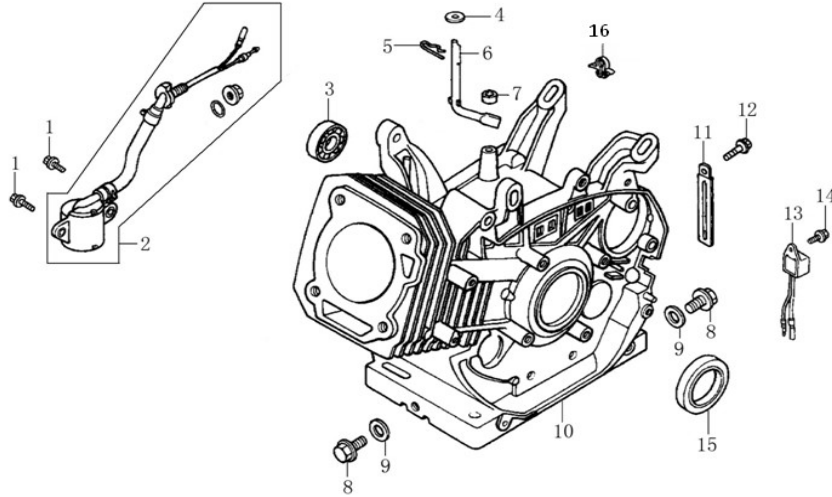


### 气缸头 (CYLINDER HEAD)

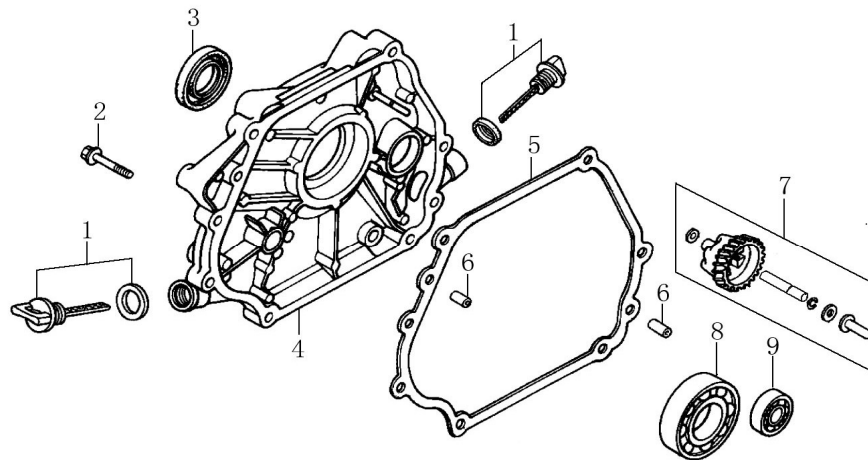
Item. No	Part No.	Description		Required QTY
1	380140441-0001	Hexagon bolt with flange	T240_M6_L=14_缸头盖螺栓;镀蓝白锌Q16	6
2	120220049-0001	Cylinder head cover assy	T116_六个安装孔;OHV凸字_镀蓝白锌Q16	1
3	120250038-0001	Gasket for cylinder head cover	T116_软木橡胶板;	1
4	380740958-0001	Breather tube	T116_复合管_废气管;	1
5	380140337-0001	Hexagon bolt with flange	T110_M10_L=80;镀蓝白锌Q16	4
6	380180099-0001	Stud	T110_M8_L=54;镀蓝白锌Q16	2
7	270960014-0001	Spark plug	F7RTC_无干扰;	1
8	120080509-0001	Cylinder head	T116;	1
9	120150141-0001	Gasket for cylinder head	T190_石墨;含Hg/Cr6/Pb/PBB/PBDE≤1000ppm,Cd≤1	1
10	380600116-0001	ocation pin	T110_d=12_L=20;	2
11	380180131-0001	Stud	T180_M6/8_L=130;镀蓝白锌Q16	2



曲轴箱 (Crankcase)

Item. No	Part No.	Description		Required QTY
1	380140215-0003	Hexagon bolt with flange	GB/T 16674.1_M6_L=14;镀蓝白锌Q16	2
2	281850152-0001	Oil level sensor	T110_电感式;	1
3	380630099-0001	Bearing	GB/T 276_6202;	1
4	380450522-0001	Flat washer	T110_T21_内径8_外径16_厚度1.2;镀白锌Q08	1
5	381350004-0001	Pin clip	T040_调速臂用;	1
6	171630003-0001	Speed regulating arm	T110;	1
7	380650339-0001	Oil seal	T110_d=8_D=14_b=4;含Hg/Cr6/Pb/PBB/PBDE≤1000ppm,Cd≤1	1
8	110260024-0001	Sealing plug screw	T110_M12×1.5×15;镀蓝白锌 Q16	1
9	380450516-0001	Flat washer	T110_T21_内径12_外径20_厚度2_铝及铝合金;	2
10	110810028-0001	Crankcase body	T120_有孔;含Hg/Cr6/Pb/PBB/PBDE≤1000ppm,Cd≤100ppm	1
11	380940346-0001	Location wire nail	T560;	1
12	380140001-0006	Hexagon bolt with flange	GB/T 16674.1_M6_L=12;镀蓝白锌Q16	1





曲轴箱盖 (Crankcase cover)

Item. No	Part No.	Description		Required QTY
1	110690097-0003	Oil rule combination	T190_机油尺_手动部分弧形,标尺带加强筋;本色黄5#Q82	2
2	380140005-0006	Hexagon bolt with flange	GB/T 16674.1 M8 L=40;镀蓝白锌Q16	7
3	380650337-0001	Oil seal	T110_d=35_D=52_b=7;含Hg/Cr6/Pb/PBB/PBDE≤1000ppm,Cd≤100ppm	1
4	110820016-0001	Crankcase cover	T110;含Hg/Cr6/Pb/PBB/PBDE≤1000ppm,Cd≤100ppm	1
5	110830008-0001	Crankcase cover gasket	T11D_无石棉耐油橡胶板;进口_含Hg/Cr6/Pb/PBB/PBDE≤1000ppm,Cd≤100ppm	1
6	380600119-0001	ocation pin	T110_d=8_L=12;	2
7	171750046-0001	Components of governor gear	T110_飞块重7.7g;	1
8	380630385-0001	Bearing	GB/T 276_6207/C3/TM;	1
9	380630099-0001	Bearing	GB/T 276_6202;	1