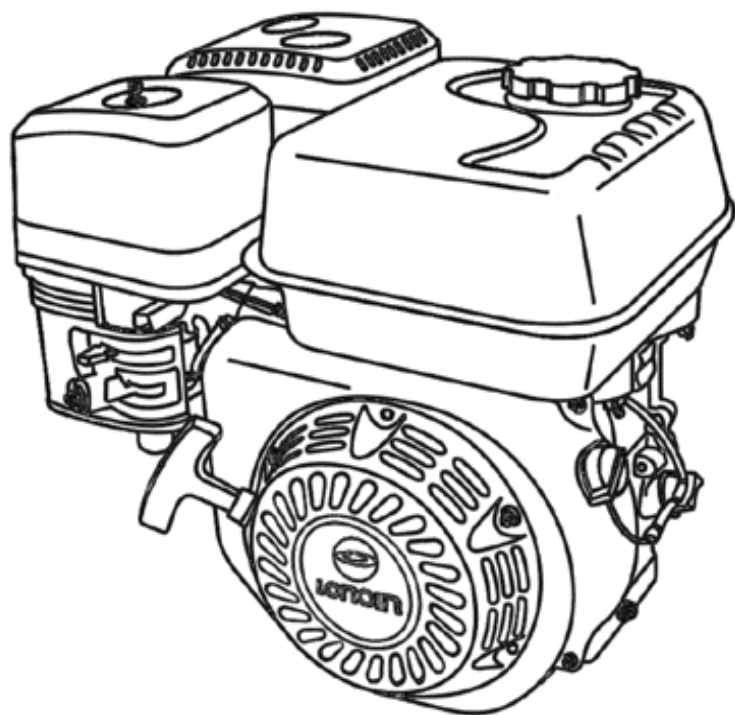




汽油机零部件图册

DRAWING OF ENGINE

LC173F (D)	G240F (D)
LC177F (D)	G270F (D)
LC182F (D)	G340F (D)
LC188F (D)	G390F (D)
LC173F (D) -B	G240F (D) -B
LC177F (D) -B	G270F (D) -B
LC173F (D) -C	G240F (D) -C
LC177F (D) -C	G270F (D) -C
LC182F (D) -D	G340F (D) -D
LC188F (D) -D	G390F (D) -D



重庆隆鑫通机动力有限公司

CHONGQING LONCIN GENERAL PURPOSE ENGINE CO., LTD.

零件目录使用说明(Instruction for use of parts catalogue)

本零件目录是根据2004年8月所能得到的最新资讯编制而成的。

This parts catalogue was prepared based on the latest information available as of August 2004.

请注意2004年8月以后本零部件目录的修订通知。

See the parts catalogue news for any revision that is made after August 2004.

当订购零件时，一定要明确指出其零件编号。

Always specify the part number when ordering a part.

注意本零件目录所给出的图形可能与实际零件外形有所不同。

Note that the illustrations can differ from the actual parts in shape.

当需要对零部件目录的内容进行更改或增加时，本公司将在适当的时间出版修订版，为保证在任何时候都可以使用到最新版本的零部件目录建议拥有最新的修订版本。如果要检查修订版本是否已经发行，请直接与LONCIN联系。

When modifications or additions to this parts catalogue are made, a revised edition will be issued at an appropriate time, We recommend obtaining such revisions in order to keep your parts catalogue up-to-date at all times. To check whether a parts catalogue revision has been issued, please contact your LONCIN distributor.

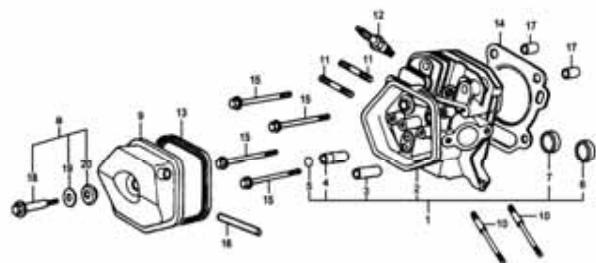
示例 (Example)

序号	零部件图号	零部件名称	Description	数量 (Reqd. QTY)		
				LC173F (G240F)	...	
10	112161-142	滤芯密封垫	GROMMET, AIR CLEANER	1	...	
	112161-155	滤芯密封垫	GROMMET, AIR CLEANER	-	...	
12	112151-142	空滤器盖	COVER, AIR CLEANER	1(-)	...	
13	112151-113	空滤器盖	COVER, AIR CLEANER	- (1)	...	

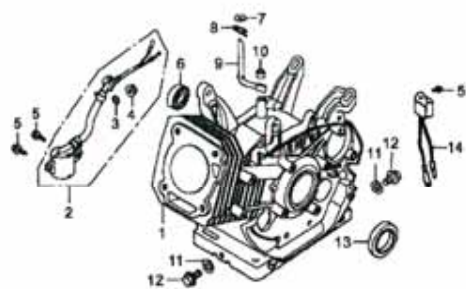
LC173F(G240F)表示LC173F及G240F；[LC173F(G240F) means LC173F and G240F]

- 1 表示LC173F及G240F各1个； [1 means LC173F require 1 QTY and G240F require 1 QTY]
- 表示LC173F没有，G240F也没有。 [- means LC173F require 0 QTY and G240F require 0 QTY]
- 1(-) 表示LC173F有1个，G240F没有。 [1(-) means LC173F require 1 QTY and G240F require 0 QTY]
- (1) 表示LC173F没有，G240F有1个。 [-(1) means LC173F require 0 QTY and G240F require 1 QTY]

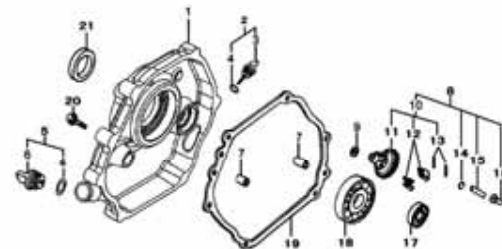
汽缸头 (CYLINDER HEAD)



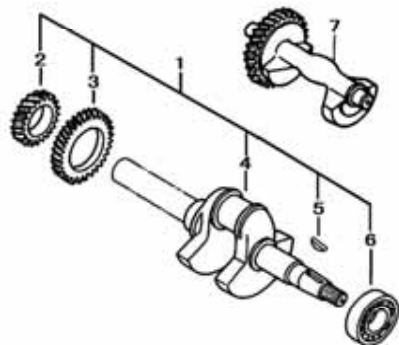
曲轴箱体(CRANKCASE)



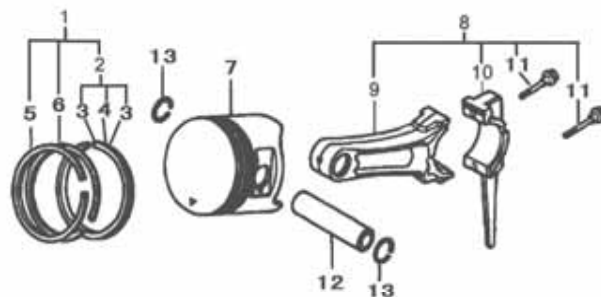
曲轴箱盖 (CRANKCASE COVER)



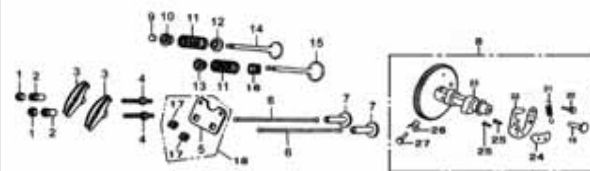
曲轴 (CRANKSHAFT)



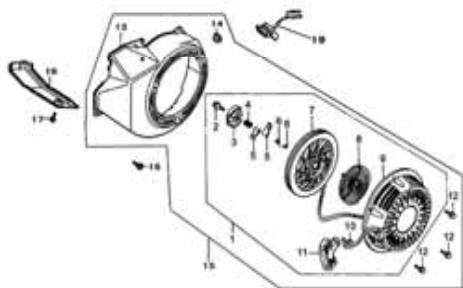
活塞连杆 (Piston/connecting rod)



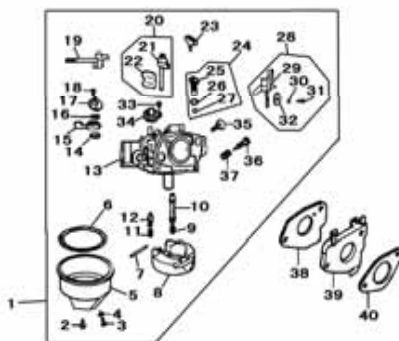
凸轮轴 (Camshaft)



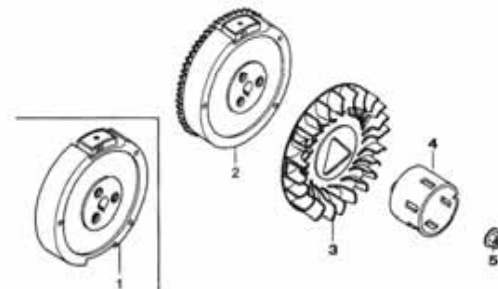
起动器 (Starter)



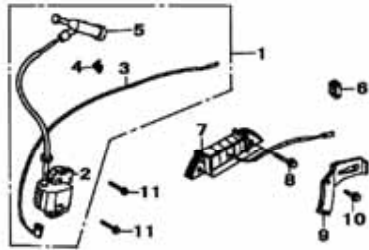
化油器 (CARBURETOR)



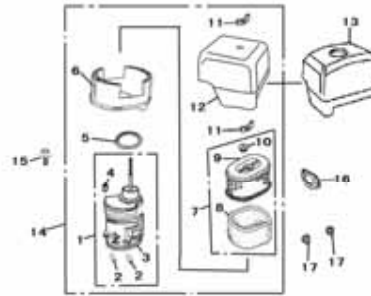
飞轮 (Flywheel)



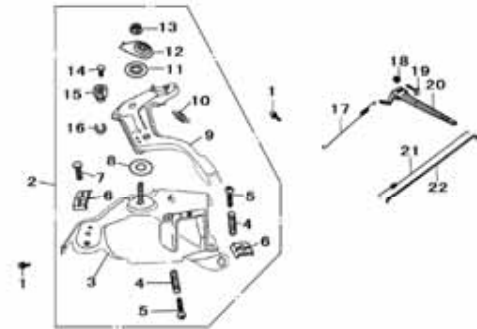
点火器 (Ignition Comp)



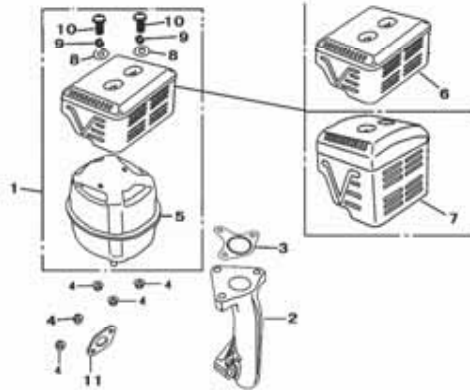
空滤器 (Air cleaner)



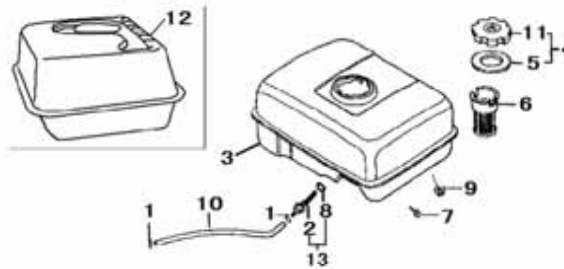
调速控制 (Control)



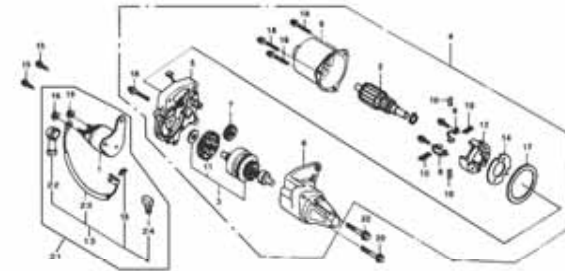
消声器 (Muffler)



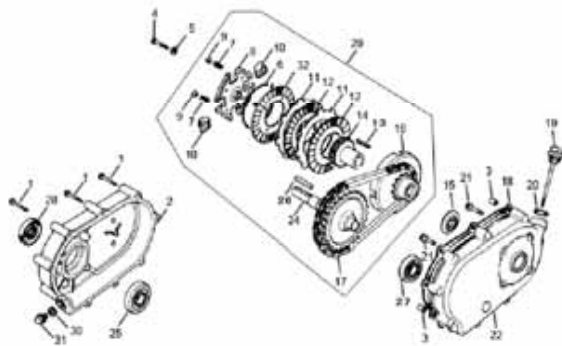
油箱 (Fuel tank)



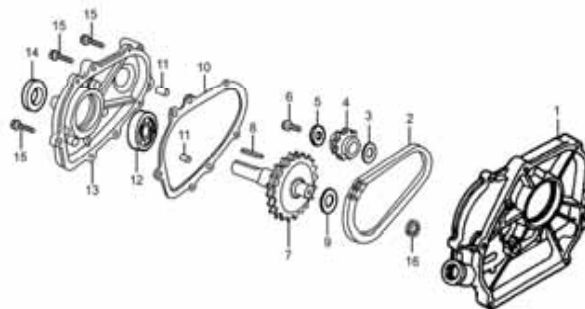
启动电机 (Starter motor)



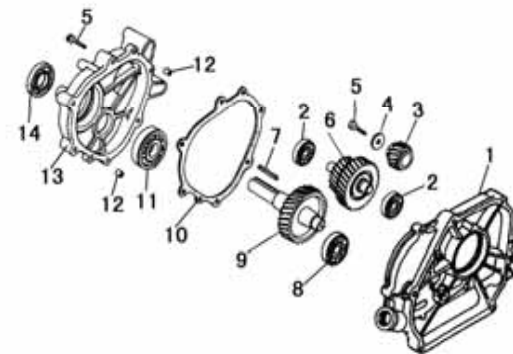
减速箱 (RETARDER)

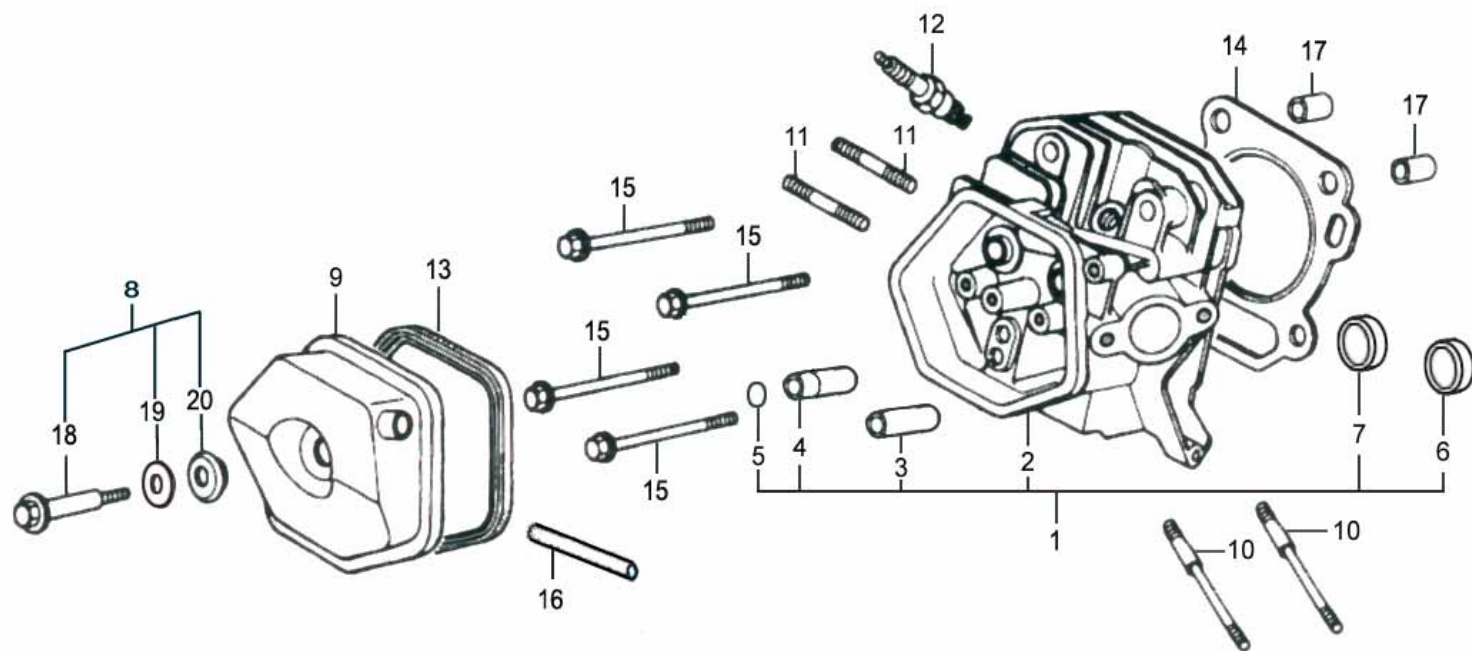


减速箱 (RETARDER)



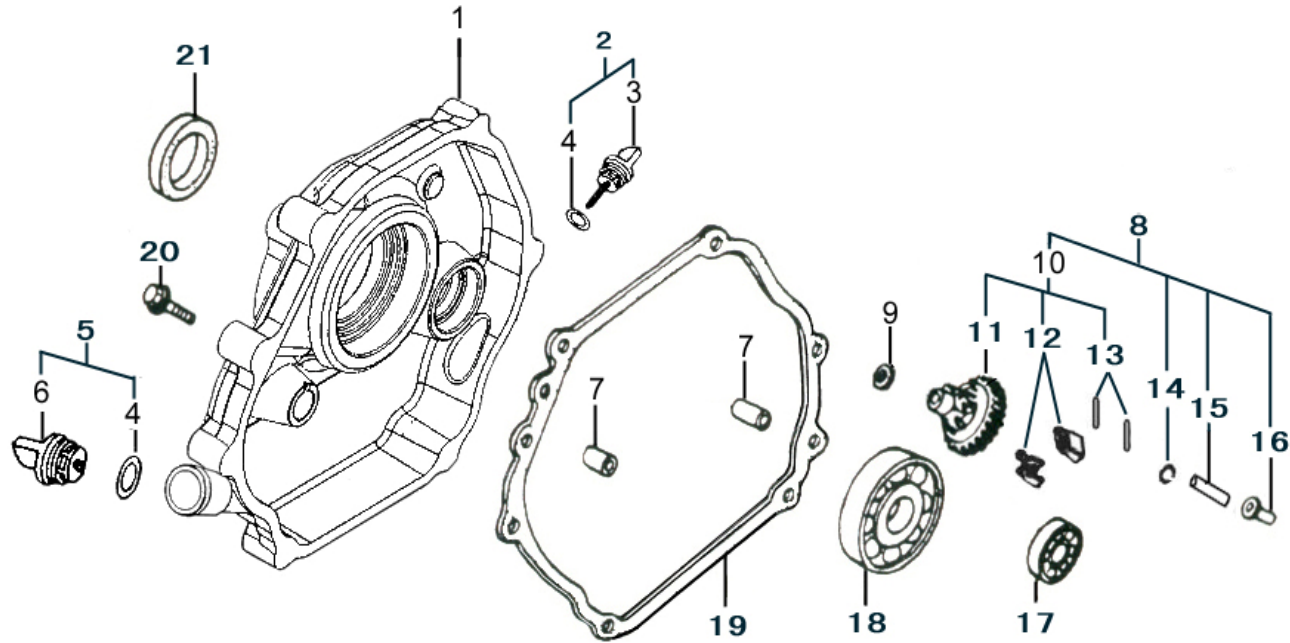
减速箱 (RETARDER)





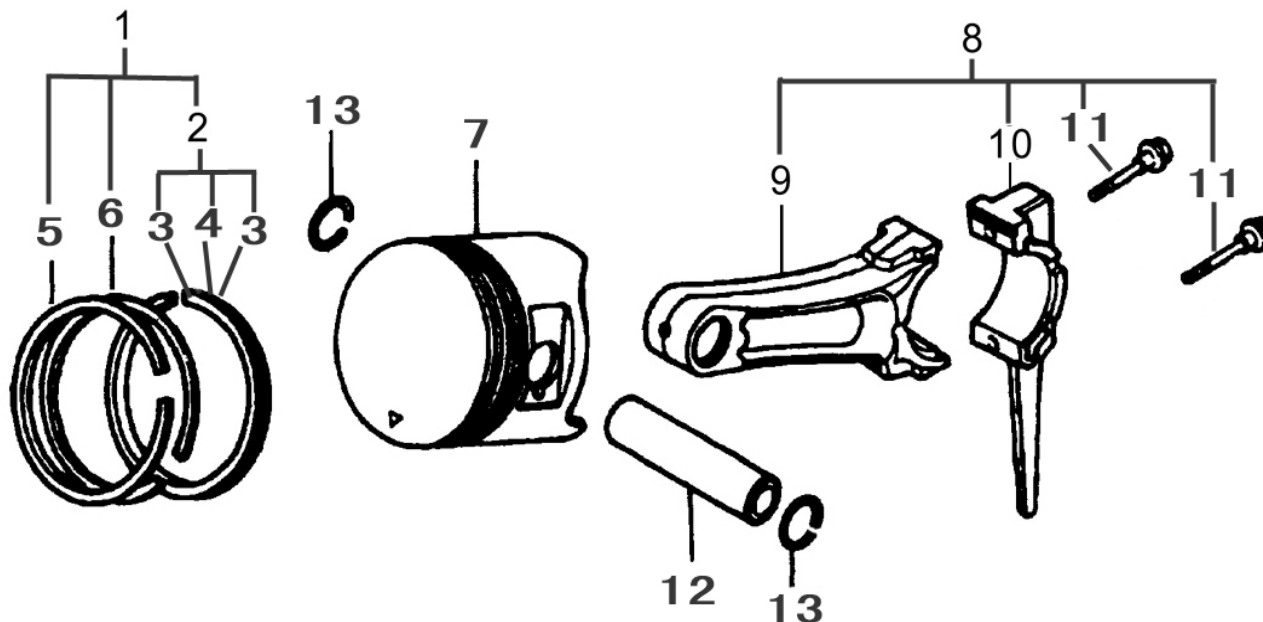
气缸头 (Cylinder head)

序号 No.	零部件图号 Part No.	零部件名称	Description	数量 (Reqd. QTY.)							
				LC173F (G240F)	LC173FD (G240FD)	LC177F (G270F)	LC177FD (G270FD)	LC182F (G340F)	LC182FD (G340FD)	LC188F (G390F)	LC188FD (G390FD)
1	101100-142	气缸头	CYLINDER HEAD COMP	1	1	1	1	-	-	-	-
	101100-155	气缸头	CYLINDER HEAD COMP	-	-	-	-	1	1	1	1
2	101151-142	缸头主体	CYLINDER HEAD	1	1	1	1	-	-	-	-
	101151-155	缸头主体	CYLINDER HEAD	-	-	-	-	1	1	1	1
3	101152-155	进气门导管	GUIDE, IN. VALVE	1	1	1	1	1	1	1	1
4	101153-155	排气门导管	GUIDE, EX. VALVE	1	1	1	1	1	1	1	1
5	101154-155	气门导管夹	CLIP, VALVE GUIDE	1	1	1	1	1	1	1	1
6	101155-142	进气门座圈	SEAT, IN. VALVE	1	1	1	1	-	-	-	-
	101155-155	进气门座圈	SEAT, IN. VALVE	-	-	-	-	1	1	1	1
7	101156-142	排气门座圈	SEAT, EX. VALVE	1	1	1	1	-	-	-	-
	101156-155	排气门座圈	SEAT, EX. VALVE	-	-	-	-	1	1	1	1
8	101300-155	缸头盖螺栓组合	BOLT COMP, HEAD COVER	1	1	1	1	1	1	1	1
9	101200-155	缸头盖	COVER COMP. HEAD	1	1	1	1	1	1	1	1
10	080502-10000040	双头螺栓6-8X123	BOLT, STUD, INTAKE	2	2	2	2	-	-	-	-



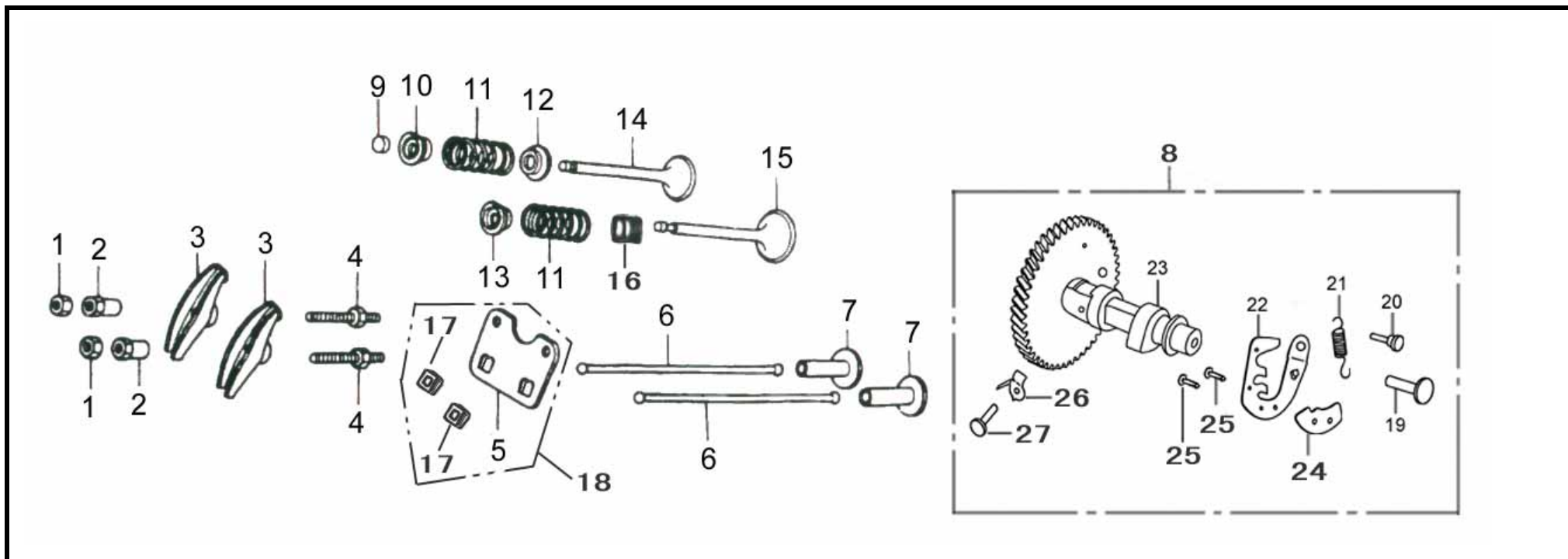
曲轴箱盖 (Crankcase cover)

序号 No.	零部件图号 Part No.	零部件名称	Description	数量 (Reqd. QTY.)							
				LC173F (G240F)	LC173FD (G240FD)	LC177F (G270F)	LC177FD (G270FD)	LC182F (G340F)	LC182FD (G340FD)	LC188F (G390F)	LC188FD (G390FD)
1	103001-142	曲轴箱盖	CRANKCASE COVER	1	1	1	1	-	-	-	-
	103001-155	曲轴箱盖	CRANKCASE COVER	-	-	-	-	1	1	1	1
2	103100-155	机油标尺组合	CAP ASSY ., OIL FILLER	1	1	1	1	1	1	1	1
3	103151-155	机油标尺	CAP,OIL FILLER	1	1	1	1	1	1	1	1
4	103152-155	机油标尺密封圈	PACKING,OIL FILLER CAP	2	2	2	2	2	2	2	2
5	103200-155	机油塞尺组合	OIL STICK ASSY	1	1	1	1	1	1	1	1
6	103251-155	机油塞尺	OIL STICK	1	1	1	1	1	1	1	1
7	081209-100	定位销 8×12	DOWEL PIN 8×12	2	2	2	2	2	2	2	2
8	115200-142	调速齿轮组合	GOVERNOR KIT	1	1	1	1	-	-	-	-
	115200-155	调速齿轮组合	GOVERNOR KIT	-	-	-	-	1	1	1	1
9	Q20600	平垫 6	WASHER 6	1	1	1	1	1	1	1	1
10	115254-142	尼龙齿轮组合	GOVERNOR ASSY	1	1	1	1	-	-	-	-
	115254-155	尼龙齿轮组合	GOVERNOR ASSY	-	-	-	-	1	1	1	1
11	115255-142	调速尼龙齿轮	HOLDER GOVERNOR WEIGHT	1	1	1	1	-	-	-	-



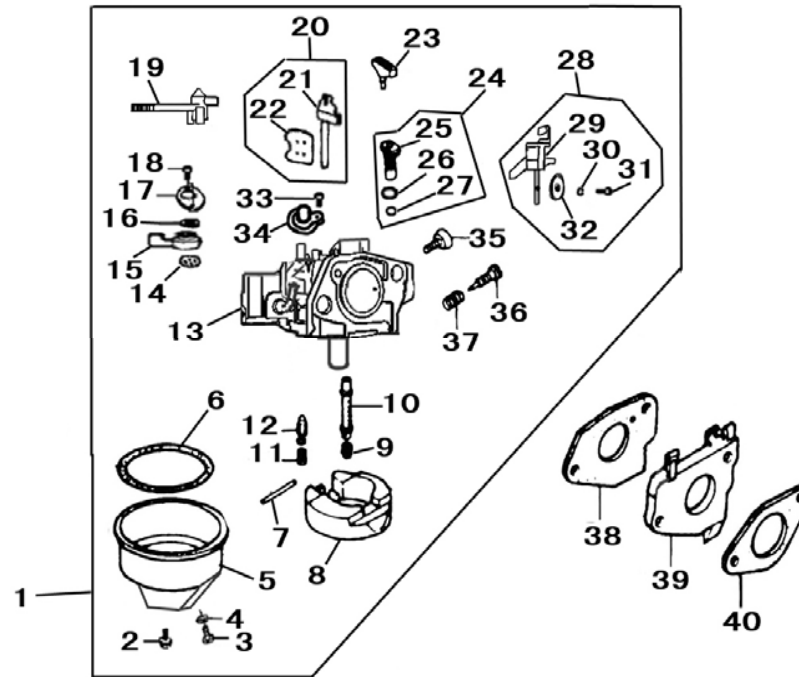
活塞连杆 (Piston/connecting rod)

序号 No.	零部件图号 Part No.	零部件名称	Description	数量 (Reqd. QTY.)							
				LC173F (G240F)	LC173FD (G240FD)	LC177F (G270F)	LC177FD (G270FD)	LC182F (G340F)	LC182FD (G340FD)	LC188F (G390F)	LC188FD (G390FD)
1	105100-142	活塞环	RING SET,PISTON	1	1	-	-	-	-	-	-
	105100-148	活塞环	RING SET,PISTON	-	-	1	1	-	-	-	-
	105100-151	活塞环	RING SET,PISTON	-	-	-	-	1	1	-	-
	105100-155	活塞环	RING SET,PISTON	-	-	-	-	-	-	1	1
2	105153-142	油环组合	OIL CONTROL RING SET	1	1	-	-	-	-	-	-
	105153-148	油环组合	OIL CONTROL RING SET	-	-	1	1	-	-	-	-
	105153-151	油环组合	OIL CONTROL RING SET	-	-	-	-	1	1	-	-
	105153-155	油环组合	OIL CONTROL RING SET	-	-	-	-	-	-	1	1
3	105154-142	油环片环	OIL RING	2	2	-	-	-	-	-	-
	105154-148	油环片环	OIL RING	-	-	2	2	-	-	-	-
	105154-151	油环片环	OIL RING	-	-	-	-	2	2	-	-
	105154-155	油环片环	OIL RING	-	-	-	-	-	-	2	2
4	105155-142	油环衬环	BUSHING RING	2	2	-	-	-	-	-	-
	105155-148	油环衬环	BUSHING RING	-	-	2	2	-	-	-	-



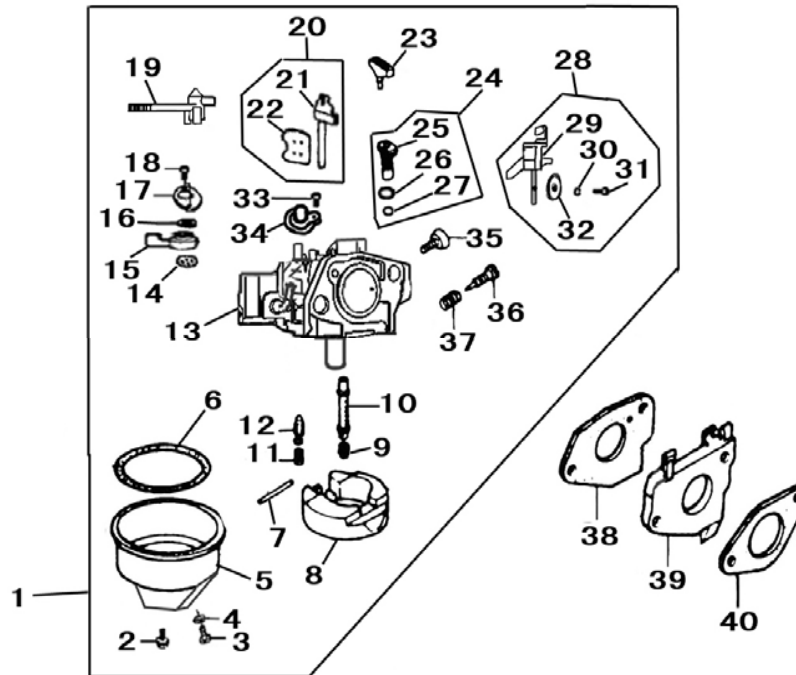
凸轮轴 (Camshaft)

序号 No.	零部件图号 Part No.	零部件名称	Description	数量 (Reqd. QTY.)							
				LC173F (G240F)	LC173FD (G240FD)	LC177F (G270F)	LC177FD (G270FD)	LC182F (G340F)	LC182FD (G340FD)	LC188F (G390F)	LC188FD (G390FD)
12	106009-155	排气门弹簧调整座	SEAT, VALVE SPRING	1	1	1	1	1	1	1	1
13	106011-155	进气门弹簧座	RETAINER, IN. VALVE SPRING	1	1	1	1	1	1	1	1
14	106004-142	排气门	VALVE, EX.	1	1	1	1	-	-	-	-
	106004-155	排气门	VALVE, EX	-	-	-	-	1	1	1	1
15	106003-142	进气门	VALVE, IN	1	1	1	1	-	-	-	-
	106003-155	进气门	VALVE, IN	-	-	-	-	1	1	1	1
16	106007-155	挡油罩	SEAL, VALVE STEM	1	1	1	1	1	1	1	1
17	106202-155	推杆导向块	BLOCK, GUIDE	2	2	2	2	2	2	2	2
18	106200-155	推杆限位板组合	PLATE, ASSY	1	1	1	1	1	1	1	1
19	106155-155	飞块销	PIN, FLYING BLOCK	1	1	1	1	1	1	1	1
20	106156-155	拉簧定位销	PIN, SPRING	1	1	1	1	1	1	1	1
21	106157-155	飞块拉簧	SPRING, FLYING BLOCK	1	1	1	1	1	1	1	1
22	106152-155	飞块	FLYING BLOCK	1	1	1	1	1	1	1	1
23	106151-142	凸轮轴体	CAMSHAFT	1	1	1	1	-	-	-	-



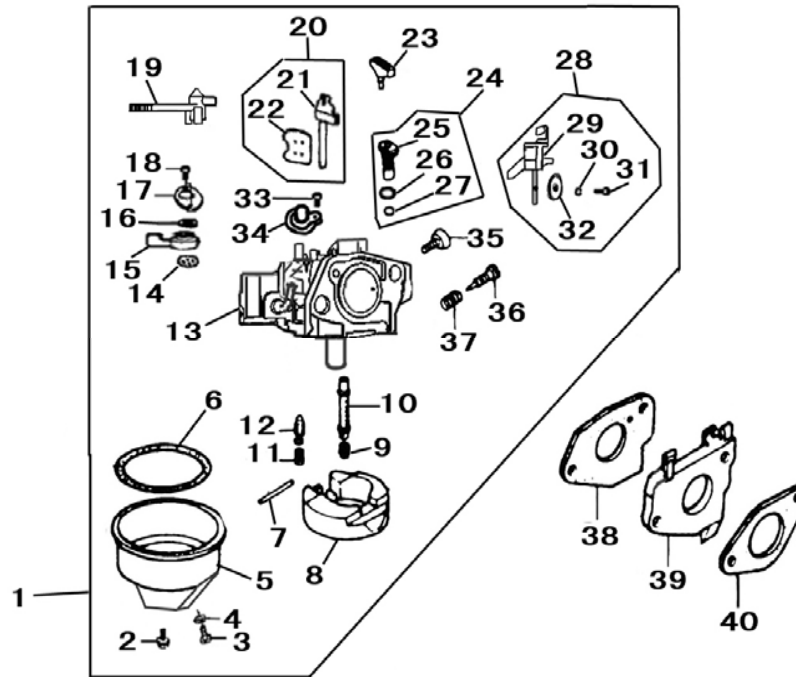
化油器 (Carburetor)

序号 No.	零部件图号 Part No.	零部件名称	Description	数量 (Reqd. QTY.)							
				LC173F (G240F)	LC173FD (G240FD)	LC177F (G270F)	LC177FD (G270FD)	LC182F (G340F)	LC182FD (G340FD)	LC188F (G390F)	LC188FD (G390FD)
1	109100-142	化油器	CARBURETOR	1	1	-	-	-	-	-	-
	109100-148	化油器	CARBURETOR	-	-	1	1	-	-	-	-
	109100-151	化油器	CARBURETOR	-	-	-	-	1	1	-	-
	109100-155	化油器	CARBURETOR	-	-	-	-	-	-	1	1
2	109180-155	油杯螺栓	BOLT , OIL CUP	1	1	1	1	1	1	1	1
3	109182-155	放油螺栓	BOLT ,DRAIN	1	1	1	1	1	1	1	1
4	109181-155	放油螺栓垫片	GASKET , DRAIN BOLT	1	1	1	1	1	1	1	1
5	109155-155	油杯	OIL CUP	1	1	1	1	1	1	1	1
6	109156-155	油杯密封圈	GASKET , OIL CUP	1	1	1	1	1	1	1	1
7	109154-155	浮子销	PIN , FLOAT	1	1	1	1	1	1	1	1
8	109153-155	浮子	FLOAT	1	1	1	1	1	1	1	1
9	109164-142	主量孔	JET , MAIN	1	1	-	-	-	-	-	-
	109164-148	主量孔	JET , MAIN	-	-	1	1	-	-	-	-
	109164-151	主量孔	JET , MAIN	-	-	-	-	1	1	-	-



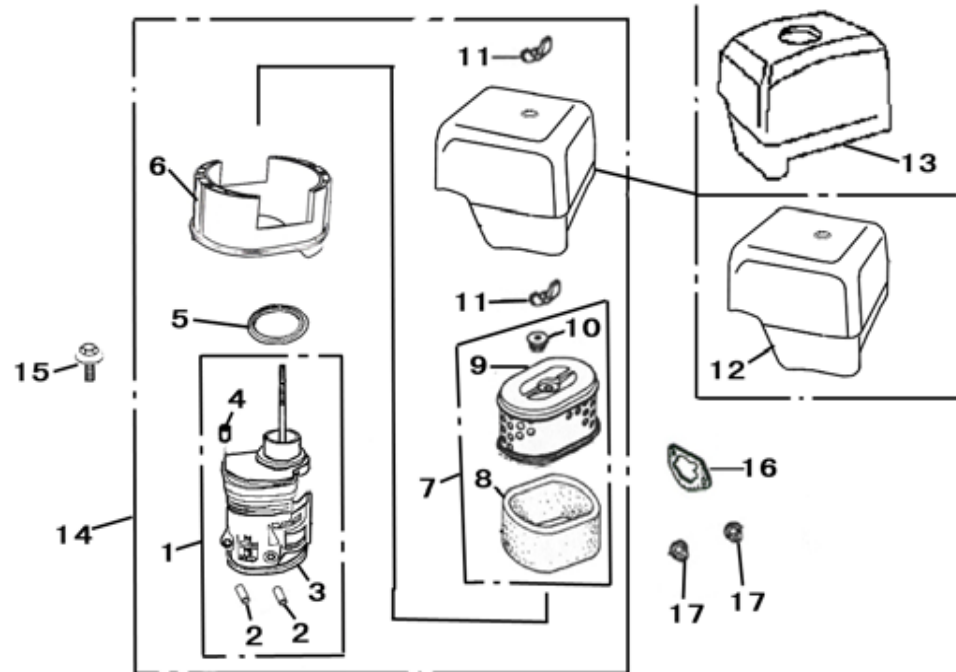
化油器 (Carburetor)

序号 No.	零部件图号 Part No.	零部件名称	Description	数量 (Reqd. QTY.)							
				LC173F (G240F)	LC173FD (G240FD)	LC177F (G270F)	LC177FD (G270FD)	LC182F (G340F)	LC182FD (G340FD)	LC188F (G390F)	LC188FD (G390FD)
17	109170-129	油开关固定盖	PLATE , LEVER SETTING	1	1	1	1	1	1	1	1
18	D20308	螺钉 M3×8	SCREW , PAN , 3×8	2	2	2	2	2	2	2	2
19	109167-129	阻风门手柄组合	LEVER COMP. ,CHOKE	1	1	1	1	1	1	1	1
20	109160-155	阻风门组合	CHOKE SET	1	1	1	1	1	1	1	1
21	109186-155	阻风门轴	SHAFT,CHOKE	1	1	1	1	1	1	1	1
22	109187-155	阻风门	PLATE, CHOKE	1	1	1	1	1	1	1	1
23	109165-155	怠速量孔堵头	BOTTOM SUB , JET SET	1	1	1	1	1	1	1	1
24	109162-142	怠速量孔组合	JET SET , PILOT	1	1	-	-	-	-	-	-
	109162-148	怠速量孔组合	JET SET , PILOT	-	-	1	1	-	-	-	-
	109162-151	怠速量孔组合	JET SET , PILOT	-	-	-	-	1	1	-	-
	109162-155	怠速量孔组合	JET SET , PILOT	-	-	-	-	-	-	1	1
25	109190-142	怠速量孔	JET, IDLE	1	1	-	-	-	-	-	-
	109190-148	怠速量孔	JET, IDLE	-	-	1	1	-	-	-	-
	109190-151	怠速量孔	JET, IDLE	-	-	-	-	1	1	-	-



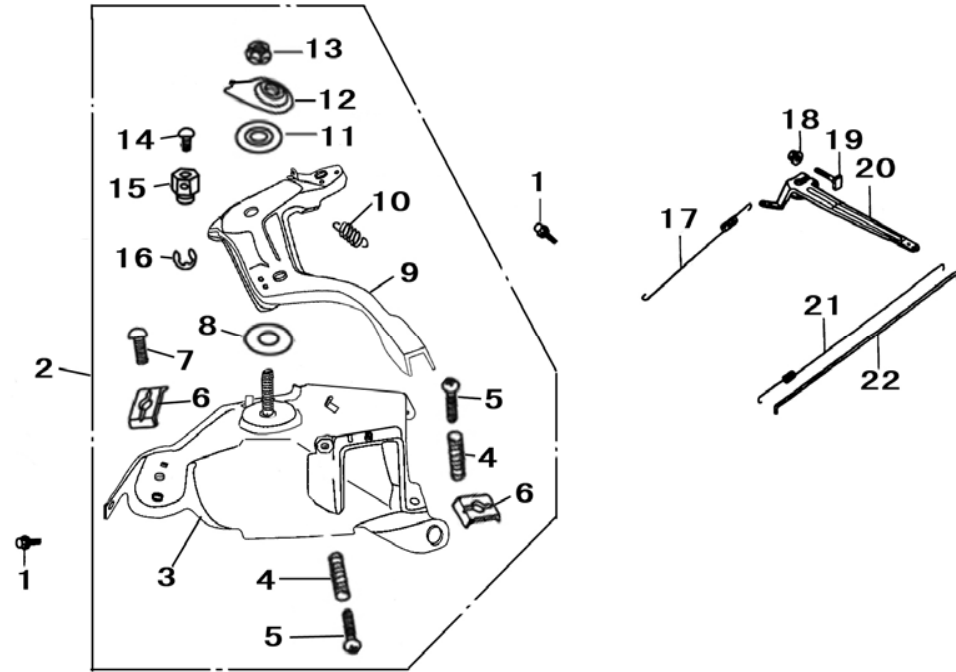
化油器 (Carburetor)

序号 No.	零部件图号 Part No.	零部件名称	Description	数量 (Reqd. QTY.)							
				LC173F (G240F)	LC173FD (G240FD)	LC177F (G270F)	LC177FD (G270FD)	LC182F (G340F)	LC182FD (G340FD)	LC188F (G390F)	LC188FD (G390FD)
33	D20308	螺钉 M3×8	SCREW , PAN , 3×8	1	1	1	1	1	1	1	1
34	109174-155	节气门防尘盖	SEAT, THROTTLE SHAFT	1	1	1	1	1	1	1	1
35	109177-155	怠速限位螺钉	SCREW, THROTTLE STOP	1	1	1	1	1	1	1	1
36	109176-155	怠速油量调节螺钉	NEEDLE, IDLE MIXTURE ADJUSTMENT	1	1	1	1	1	1	1	1
37	109175-155	怠速油量调节螺钉弹簧	SPRING, IDLE MIXTURE ADJUSTMENT	1	1	1	1	1	1	1	1
38	109003-142	化油器垫	PACKING, CARBURETOR	1	1	-	-	-	-	-	-
	109003-148	化油器垫	PACKING, CARBURETOR	-	-	1	1	-	-	-	-
	109003-151	化油器垫	PACKING, CARBURETOR	-	-	-	-	1	1	-	-
	109003-155	化油器垫	PACKING, CARBURETOR	-	-	-	-	-	-	1	1
39	109002-142	隔热板	INSULATOR, CARBURETOR	1	1	1	1	-	-	-	-
	109002-151	隔热板	INSULATOR, CARBURETOR	-	-	-	-	1	1	-	-
	109002-155	隔热板	INSULATOR, CARBURETOR	-	-	-	-	-	-	1	1
40	109001-142	进气口垫	PACKING, INSULATOR	1	1	1	1	-	-	-	-
	109001-151	进气口垫	PACKING, INSULATOR	-	-	-	-	1	1	-	-



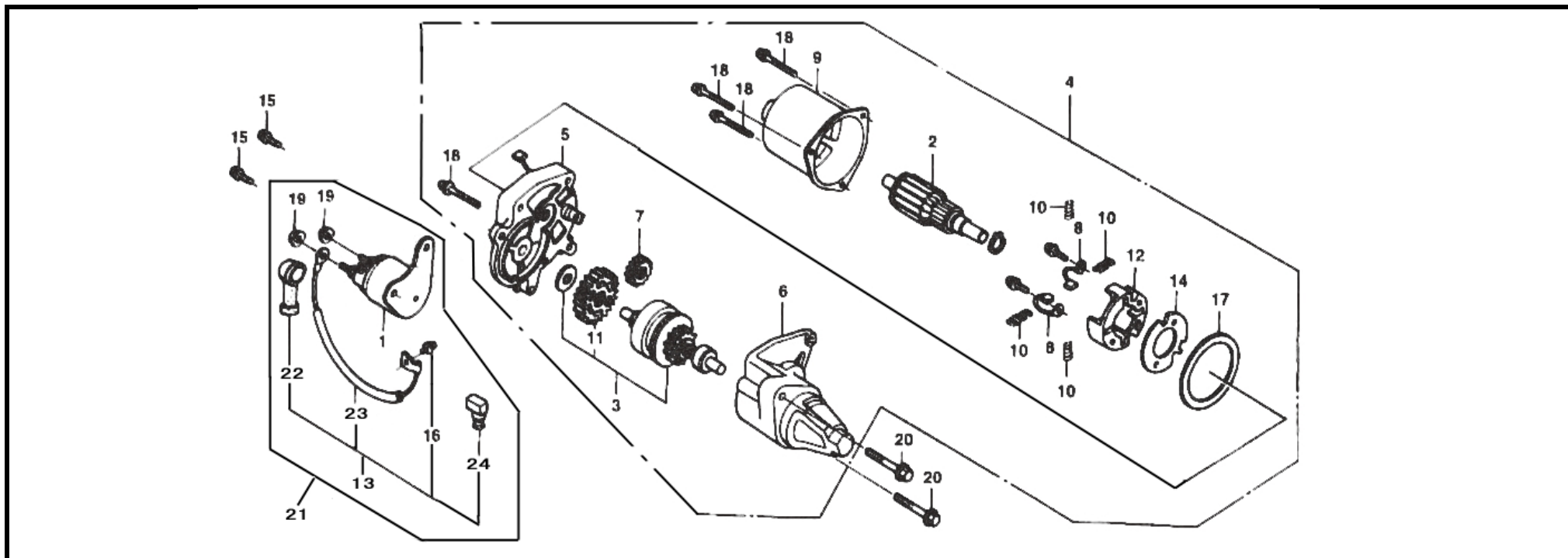
空滤器 (Air cleaner)

序号 No.	零部件图号 Part No.	零部件名称	Description	数量 (Reqd. QTY.)							
				LC173F (G240F)	LC173FD (G240FD)	LC177F (G270F)	LC177FD (G270FD)	LC182F (G340F)	LC182FD (G340FD)	LC188F (G390F)	LC188FD (G390FD)
1	112154-142	空滤器座	ELBOW COMP., AIR CLEANER	1	1	1	1	-	-	-	-
	112154-155	空滤器座	ELBOW COMP., AIR CLEANER	-	-	-	-	1	1	1	1
2	112157-155	长衬套	COLLAR, LONG	2	2	2	2	2	2	2	2
3	112155-142	空滤器座体	ELBOW	1	1	1	1	-	-	-	-
	112155-155	空滤器座体	ELBOW	-	-	-	-	1	1	1	1
4	112156-155	短衬套	COLLAR, SHORT	1	1	1	1	1	1	1	1
5	112152-142	密封胶圈	PACKING, ELBOW	1	1	1	1	-	-	-	-
	112152-155	密封胶圈	PACKING, ELBOW	-	-	-	-	1	1	1	1
6	112153-142	滤芯支撑板	NOSE, SILENCER	1	1	1	1	-	-	-	-
	112153-155	滤芯支撑板	NOSE, SILENCER	-	-	-	-	1	1	1	1
7	112158-142	滤芯	ELEMENT ASSY., AIR CLEANER	1	1	1	1	-	-	-	-
	112158-155	滤芯	ELEMENT ASSY., AIR CLEANER	-	-	-	-	1	1	1	1
8	112160-142	粗滤海绵	FILTER, OUTER	1	1	1	1	-	-	-	-
	112160-155	粗滤海绵	FILTER, OUTER	-	-	-	-	1	1	1	1



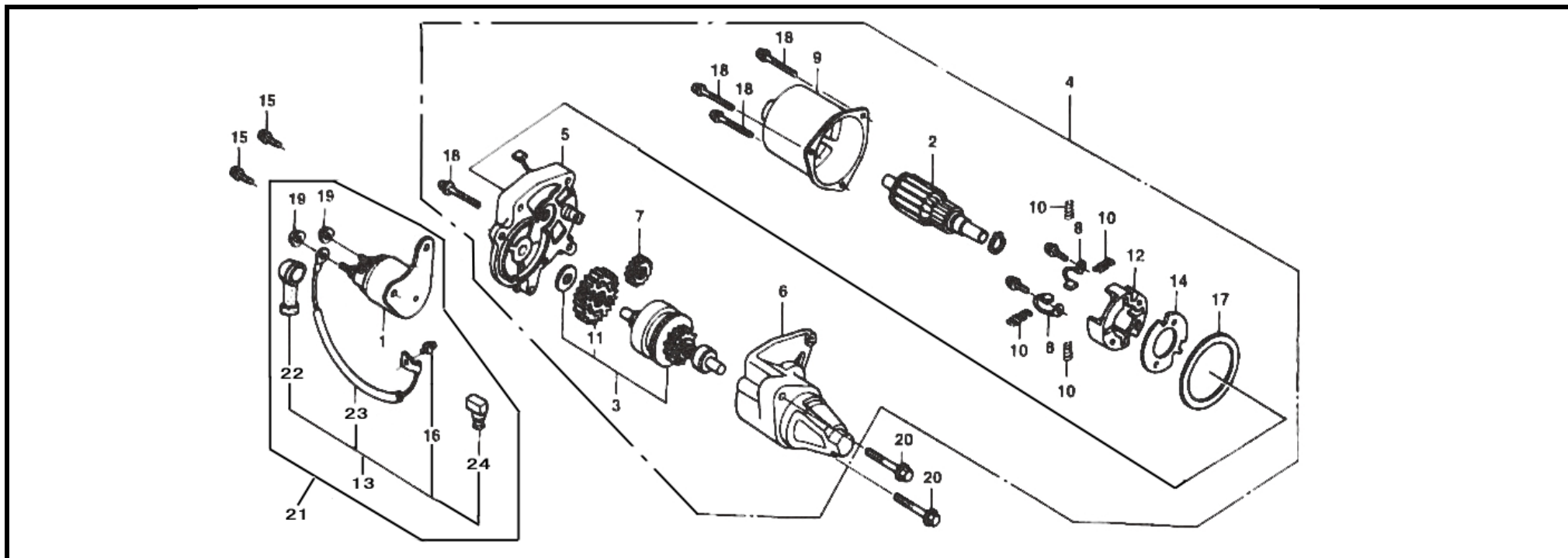
调速控制 (Control)

序号 No.	零部件图号 Part No.	零部件名称	Description	数量 (Reqd. QTY.)							
				LC173F (G240F)	LC173FD (G240FD)	LC177F (G270F)	LC177FD (G270FD)	LC182F (G340F)	LC182FD (G340FD)	LC188F (G390F)	LC188FD (G390FD)
13	M80600-000000DL	螺母 M6	NUT, FLANGE M6	1	1	1	1	1	1	1	1
14	D20406	螺钉 M4 × 6	SCREW, M4 × 6	1	1	1	1	-	-	-	-
15	115158-129	拉索卡	LOCKING RING, DRAGLINE	1	1	1	1	1	1	1	1
16	A50500	开口挡圈 GB896 5	CLIP	1	1	1	1	1	1	1	1
17	115003-142	油门拉簧A(大)	SPRING, GOVERNOR	1	1	1	1	-	-	-	-
	115003-155	油门拉簧A(大)	SPRING, GOVERNOR	-	-	-	-	1	1	1	1
18	M80600-DL	螺母 M6	NUT, FLANGE M6	1	1	1	1	1	1	1	1
19	080402-100000010	方头螺栓M6 × 21	BOLT, QUADRATE HEAD	1	1	1	1	1	1	1	1
20	115004-142	调速支架	ARM, GOVERNOR	1	1	1	1	-	-	-	-
	115004-155	调速支架	ARM, GOVERNOR	-	-	-	-	1	1	1	1
21	115002-155	油门拉簧B(小)	SPRING, THROTTLE RETURN	1	1	1	1	1	1	1	1
22	115001-142	油门拉杆	ROD, GOVERNOR	1	1	1	1	-	-	-	-
	115001-155	油门拉杆	ROD, GOVERNOR	-	-	-	-	1	1	1	1



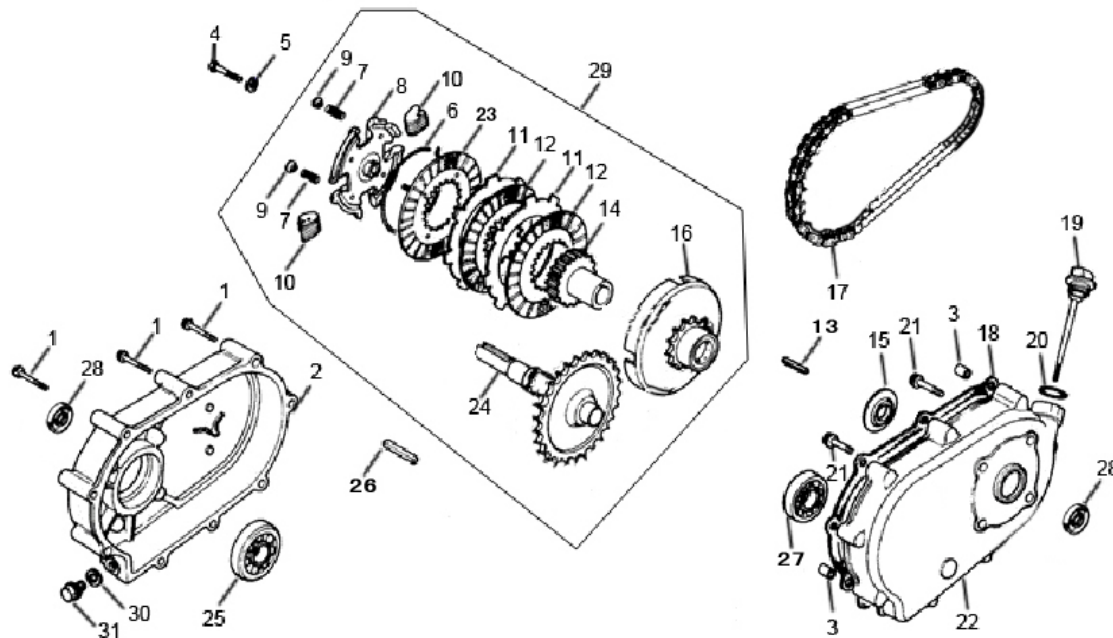
起动电机 (Starter motor)

序号 No.	零部件图号 Part No.	零部件名称	Description	数量 (Reqd. QTY.)							
				LC173F (G240F)	LC173FD (G240FD)	LC177F (G270F)	LC177FD (G270FD)	LC182F (G340F)	LC182FD (G340FD)	LC188F (G390F)	LC188FD (G390FD)
1	116251-156	起动继电器主体	CONTACTOR ASSY	-	1	-	1	-	1	-	1
2	116152-145	转子组件	ARMATURE COMP	-	1	-	1	-	-	-	1
	116152-156	转子组件	ARMATURE COMP	-	-	-	-	-	1	-	1
3	116151-145	超速离合器组件	CLUTCH COMP ., OVERRUNNING	-	1	-	1	-	-	-	-
	116151-156	超速离合器组件	CLUTCH COMP ., OVERRUNNING	-	-	-	-	-	1	-	1
4	116100-145	起动电机	STARTER MOTOR	-	1	-	1	-	-	-	-
	116100-156	起动电机	STARTER MOTOR	-	-	-	-	-	1	-	1
5	116153-145	主支架	BRACKET , CENTER	-	1	-	1	-	-	-	-
	116153-156	主支架	BRACKET , CENTER	-	-	-	-	-	1	-	1
6	116169-145	后支架	BRACKET COMP, FR	-	1	-	1	-	-	-	-
	116169-156	后支架	BRACKET COMP, FR	-	-	-	-	-	1	-	1
7	116176-145	传动副齿轮	GEAR,DRIVE PINION	-	1	-	1	-	-	-	-
	116176-156	传动副齿轮	GEAR,DRIVE PINION	-	-	-	-	-	1	-	1
8	116158-145	碳刷	BRUSH	-	2	-	2	-	-	-	-



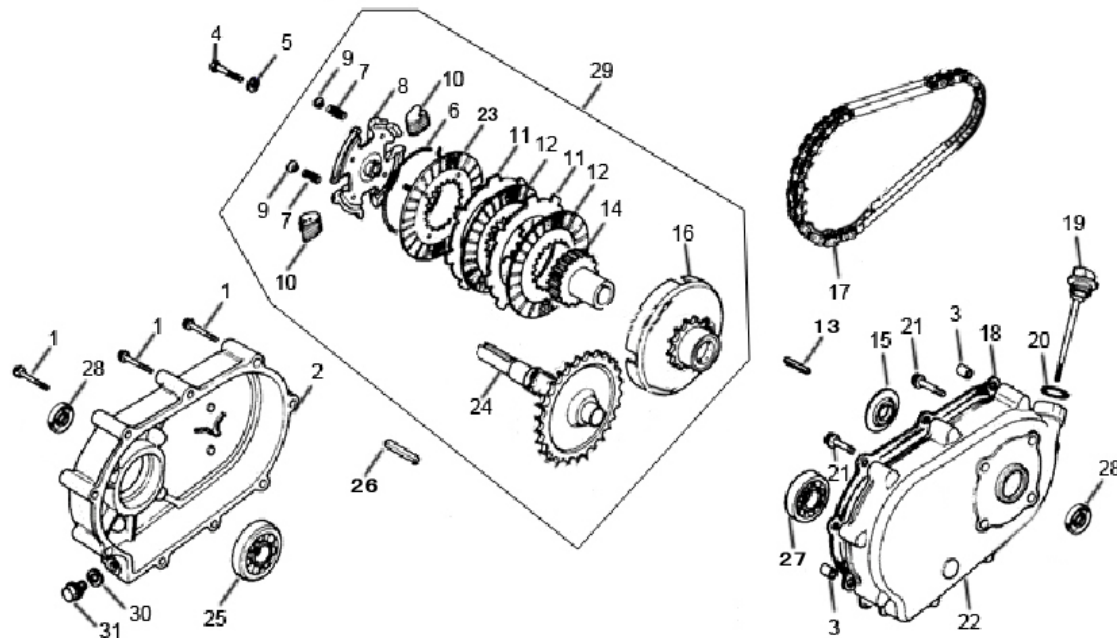
起动机 (Starter motor)

序号 No.	零部件图号 Part No.	零部件名称	Description	数量 (Reqd. QTY.)							
				LC173F (G240F)	LC173FD (G240FD)	LC177F (G270F)	LC177FD (G270FD)	LC182F (G340F)	LC182FD (G340FD)	LC188F (G390F)	LC188FD (G390FD)
	116158-156	碳刷	BRUSH	-	-	-	-	-	2	-	2
9	116165-145	外壳	YOKE COMP	-	1	-	1	-	-	-	-
	116165-156	外壳	YOKE COMP	-	-	-	-	-	1	-	1
10	116177-145	弹簧	SPRING,BRUSH RETURN	-	4	-	4	-	-	-	-
	116177-156	弹簧	SPRING,BRUSH RETURN	-	-	-	-	-	4	-	4
11	116178-145	减速齿轮	GEAR REDUCTION	-	1	-	1	-	-	-	-
	116178-156	减速齿轮	GEAR REDUCTION	-	-	-	-	-	1	-	1
12	116160-145	碳刷铁支架	INSULATOR , METAL	-	1	-	1	-	-	-	-
	116160-156	碳刷铁支架	INSULATOR , METAL	-	-	-	-	-	1	-	1
13	116252-156	防水接线	WIRE , WATER COVER	-	1	-	1	-	1	-	1
14	116161-145	碳刷绝缘支架	INSULATOR	-	1	-	1	-	-	-	-
	116161-156	碳刷绝缘支架	INSULATOR	-	-	-	-	-	1	-	1
15	SB0514	螺栓M5X14	BOLT-WASHER,5X14	-	2	-	2	-	2	-	2
16	SB0406	螺栓M4X6	BOLT-WASHER,4X6	-	1	-	1	-	1	-	1



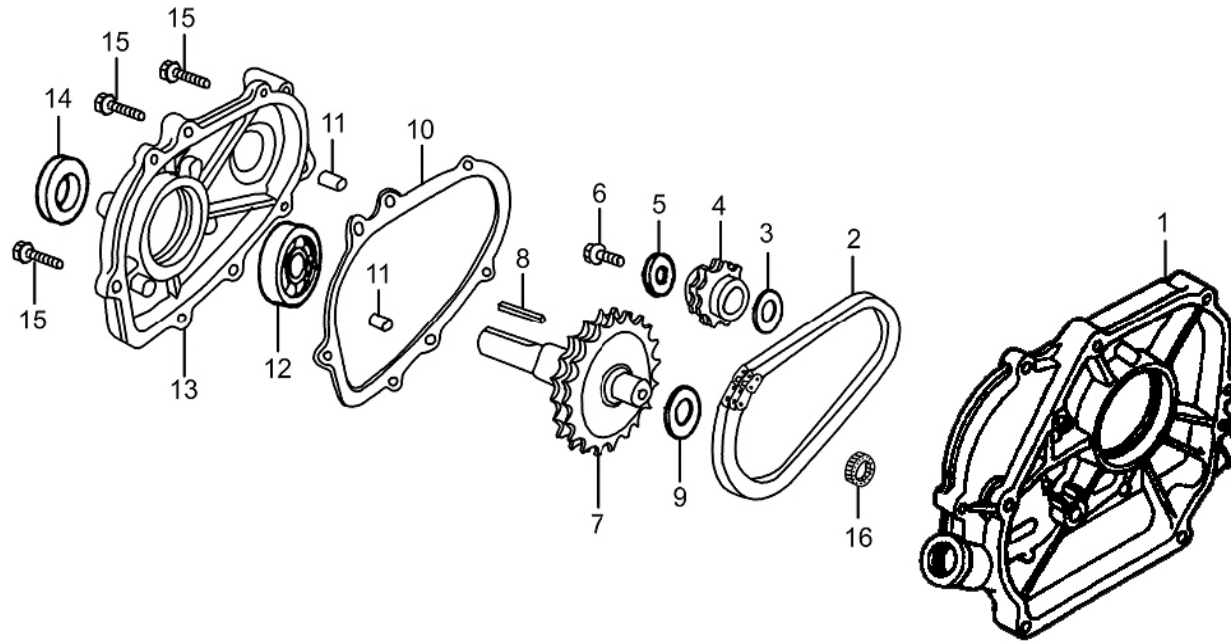
减速箱 (RETARDER)

序号 No.	零部件图号 Part No.	零部件名称	Description	数量 (Reqd. QTY.)			
				LC173F-B (G240F-B)	LC173FD-B (G240FD-B)	LC177F-B (G270F-B0)	LC177FD-B (G270FD-B)
1	SA0655-000000DL	螺栓M6×55	BOLT , FLANGE , 6×55	9	9	9	9
2	121002-143	减速箱盖	RETARDER CASE COVER	1	1	1	1
3	081210-100	定位销 8×14	PIN , DOWEL ,8×14	2	2	2	2
4	SB0830	螺栓M8×30	BOLT , FLANGE , 8×30	1	1	1	1
5	080706-100	垫片 8×16×1.2	WASHER ,HOLDER , 8.4×15×1.6	1	1	1	1
6	121358-130	飞块止动圈	RING , LIMITE WEIGHT CIRCUMROTATE	1	1	1	1
7	121359-130	弹簧	SPRING	4	4	4	4
8	121356-143	离合器盖	COVER , CLUTCH	1	1	1	1
9	121361-130	弹簧挡圈	RETAINER , SPRING	4	4	4	4
10	121357-143	飞块	WEIGHT , RETARDER	48	48	48	48
11	121367-130	钢片	STEEL SLICE , RETARDER	2	2	2	2
12	121368-130	内摩擦片	CHAFF SLICE , RETARDER	2	2	2	2
13	081702-100	平键5×5×40	KEY	1	1	1	1
14	121369-143	定心套	SHAFT SHEATH , RESTRICTION CENTER	1	1	1	1
15	121366-143	隔套	WASHER ,THRUST	1	1	1	1



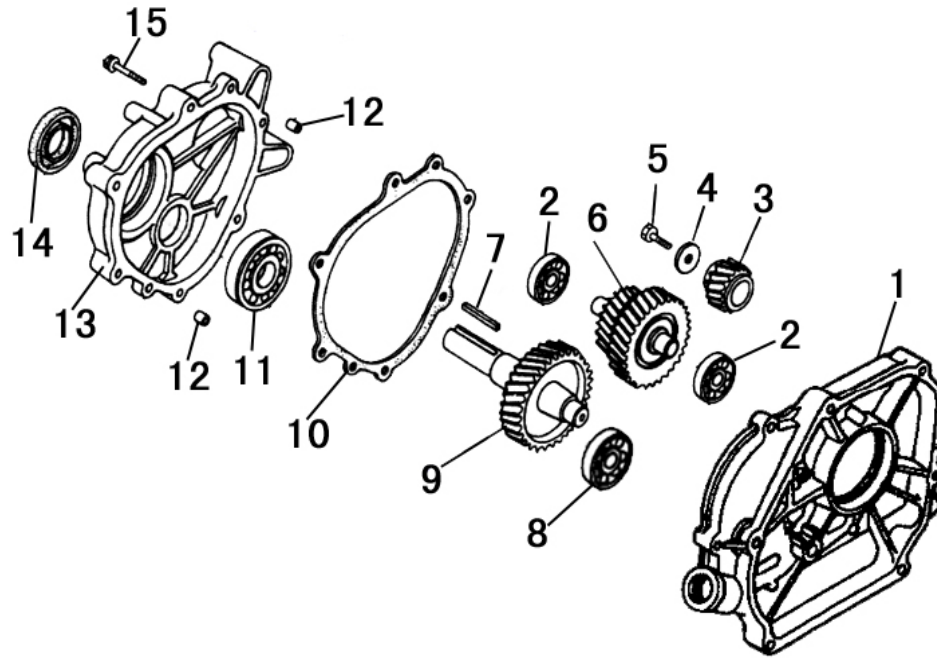
减速箱 (RETARDER)

序号 No.	零部件图号 Part No.	零部件名称	Description	数量 (Reqd. QTY.)			
				LC173F-B (G240F-B)	LC173FD-B (G240FD-B)	LC177F-B (G270F-B0)	LC177FD-B (G270FD-B)
16	121352-143	外罩	MANTLE , RETARDER	1	1	1	1
17	121100-130	链条	CHAIN , RETARDER	1	1	1	1
18	121003-143	减速箱盖纸垫	PACKING , RETARDER CASE COVER	1	1	1	1
19	121251-130	机油尺	OIL STICK	1	1	1	1
20	121252-130	机油尺密封圈	RING , SEAL	1	1	1	1
21	SB0825	螺栓M8 × 25	BOLT , FLANGE	4	4	4	4
22	121001-143	减速箱体	RETARDER CASE	1	1	1	1
23	121362-130	端部内摩擦片	PLATE COMP. , CLUTCH PRESSURE	1	1	1	1
24	121363-143	输出轴组合	CHAIN WHEEL , OUTPUT	1	1	1	1
25	081611-100	轴承6206	BEARING , RADIAL BALL	1	1	1	1
26	081703-100	平键5X5X35	BOLT , DRAIN PLUG	1	1	1	1
27	081610-100	轴承6205	WASHER , DRAIN PLUG	1	1	1	1
28	081116-100	油封30 × 50 × 8	OIL SEAL , 30 × 50 × 8	2	2	2	2
29	121300-143	离合器总成	CLUTCH ASSY.	1	1	1	1
30	080721-100	放油螺栓垫圈13X22X1	WASHER , DRAIN PLUG	1	1	1	1



减速箱 (RETARDER)

序号 No.	零部件图号 Part No.	零部件名称	Description	数量 (Reqd. QTY.)			
				LC173F-C (G240F-C)	LC173FD-C (G240FD-C)	LC177F-C (G270F-C)	LC177FD-C (G270FD-C)
1	103001-144	曲轴箱盖	COVER	1	1	1	1
2	121100-144	双链条 (34)	CHAIN	1	1	1	1
3	080726-100	垫片20.5×34×3.1	WASHER	1	1	1	1
4	122551-144	双链轮	CHAIN WHEEL	1	1	1	1
5	080708-100	垫片8.5×25×3.5	WASHER	1	1	1	1
6	SB0832	螺栓 M8×32	BOLT 8×32	1	1	1	1
7	121552-144	双链轮输出轴	OUTPUT SHAFT	1	1	1	1
8	081712-100	平键7X7X40	KEY	1	1	1	1
9	080725-100	垫片20.1×30×0.3	WASHER	1	1	1	1
10	122003-144	减速箱盖纸垫	PACKING	1	1	1	1
11	081210-100	定位销 8×14	PIN	1	1	1	1
12	081610-10000030	轴承6205	BEARING , RADIAL BALL	1	1	1	1
13	122002-144	减速箱盖	COVER	1	1	1	1
14	081115-100	油封 30×46×8	PIN	1	1	1	1
15	SA0832-0000000DL	螺栓M8×35	BOLT 8×32	6	6	6	6



减速箱 (RETARDER)

序号 No.	零部件图号 Part No.	零部件名称	Description	数量 (Reqd. QTY.)			
				LC182F-D (G340F-D)	LC182FD-D (G340FD-D)	LC188F-D (G390F-D)	LC188FD-D (G390FD-D)
1	103001-147	曲轴箱盖	CRANKCASE COVER	1	1	1	1
2	081607-100000030	轴承 6202	BALL BEARING 6202	2	2	2	2
3	121004-147	花键齿	SPLINE GEAR	1	1	1	1
4	080709-100000050	垫片 8.5X39X4	WASHER	1	1	1	1
5	SB0832-0000000DL	螺栓M8X32	BOLT , FLANGE , 8×32	7	7	7	7
6	121400-147	中间轴齿组合	GEAR COMP,	1	1	1	1
7	081712-100	平键 7X7X40	KEY	1	1	1	1
8	081609-100000030	轴承 6204	BALL BEARING 6204	1	1	1	1
9	121005-147	齿轮输出轴	OUTPUT SHAFT	1	1	1	1
10	121003-147	减速箱盖纸垫	GASKET ,COVER	1	1	1	1
11	081611-100000030	轴承 6206	BALL BEARING 6206	1	1	1	1
12	081209-100	定位销8X10	DOWEL PIN 8×12	2	2	2	2
13	121002-147	减速箱盖	COVER	1	1	1	1
14	081115-100	油封 30×46×8	OIL SEAL, 30×46×8	1	1	1	1