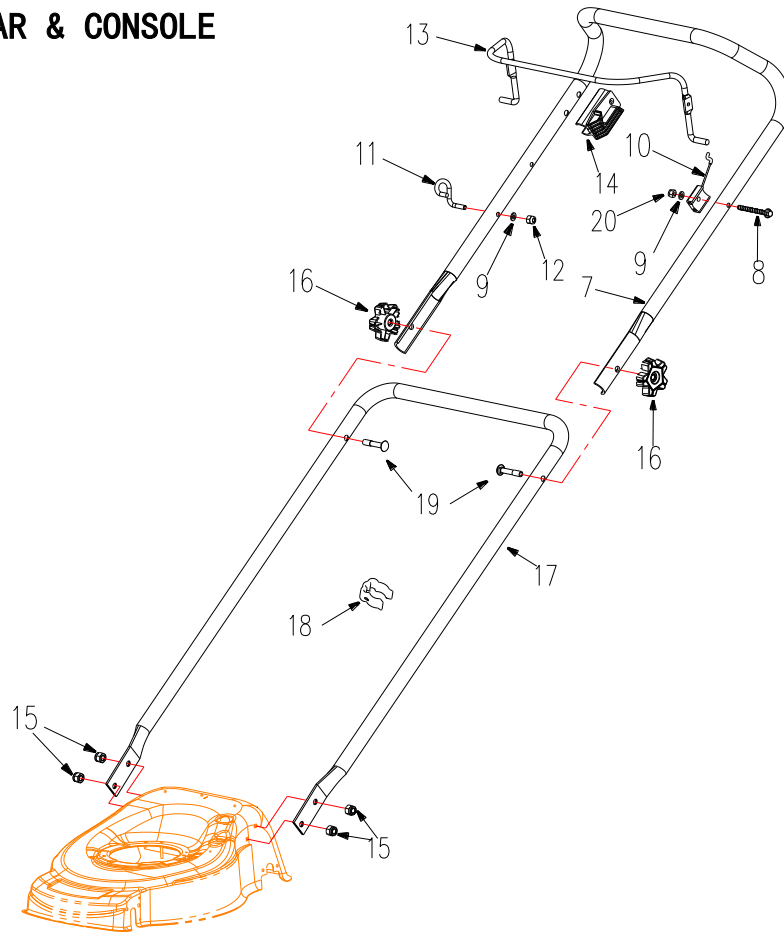


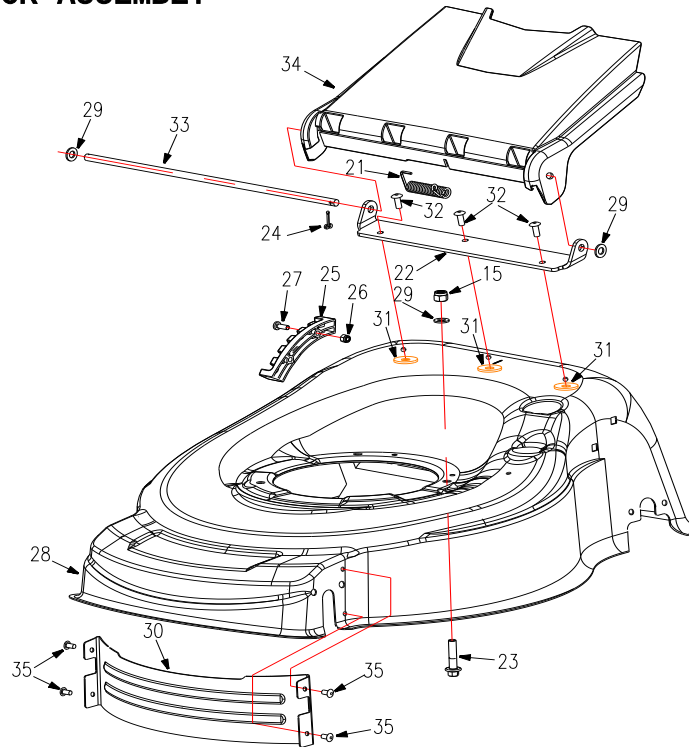
Parts Book For WJS18-BS450E-A00

HANDLEBAR & CONSOLE



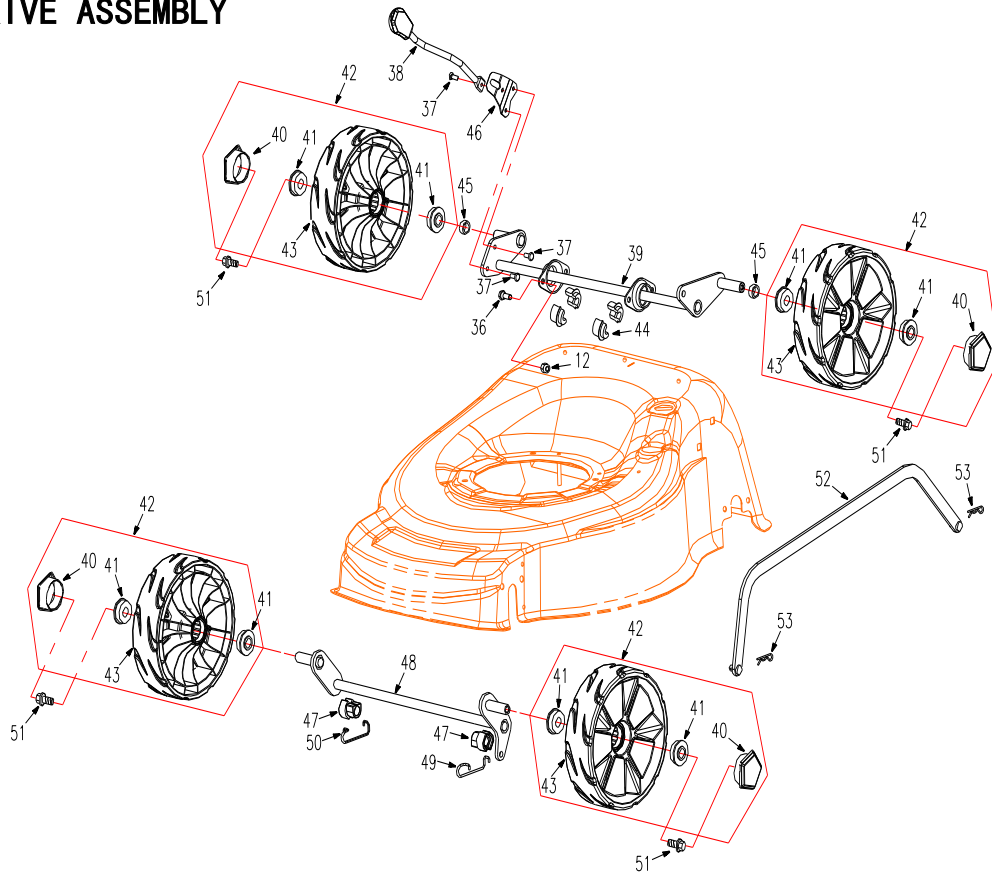
Ref. No.	Parts No.	Description	Description	Quantity
7	1850044	上把手	Upper Handlebar	1
8	GB820-06035	螺钉M6×35	Screw M6×35	1
9	GB97.1-06	垫圈6	Washer 6	2
10	1850128	拉线总成	Cable Unit	1
11	WORD18.6-05	拉线钩	Guy Hook	1
12	GB6182-06	螺母M6	Nylon Insert Lock Nut M6mm	1
13	1850045	抱刹把手	Blade Control Handle	1
14	2203003	限位块	Bracket	1
15	GB6182-08	螺母M8	Locknut M8	4
16	1850006	异型螺母	Knob Nut	2
17	1850096	下把手	Lower Handlebar	1
18	2011031	三卡线套	Cable Clamp	1
19	XSS46.4-04	凹头螺栓	Bolt	2
20	GB923-06	盖型螺母M6	Hexgon Cap Nut M6	1

MOWER DECK ASSEMBLY



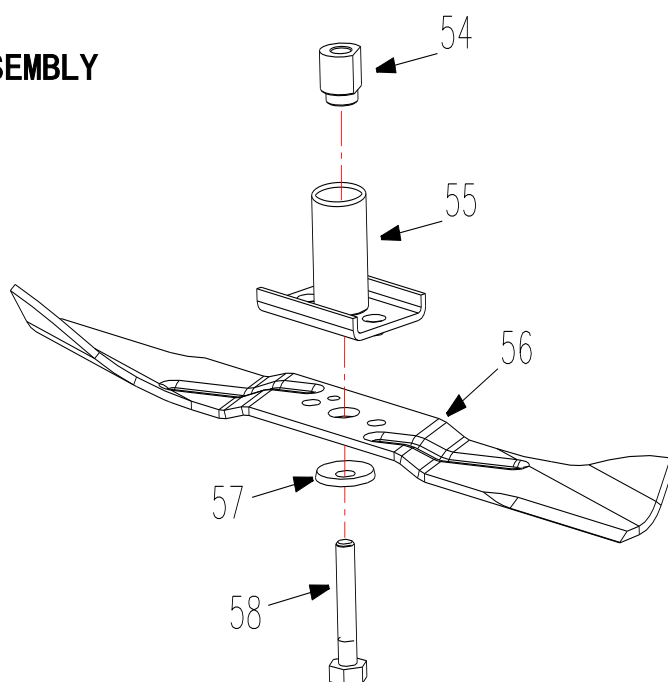
Ref. No.	Parts No.	Description	Description	Quantity
15	GB6182-08	螺母M8	Looknut M8	3
21	1850065	扭簧	Torsion Spring	1
22	1850008	后盖板支架	Rear Cover Bracket	1
23	GB16674.1-08035	螺栓M8×35	He× Hd. Flange Bolt M8×35mm	3
24	GB91-02016	销2×16	Pin2×16	1
25	1850009	调高支架	Height Adjustment Rack	1
26	GB6182-05	螺母M5	Nut M5	2
27	GB818-05016	螺钉M5×16	Screw M5x16	2
28	1850081	罩壳焊合	Deck	1
29	GB97.1-08	垫圈8	Washer 8	5
30	1850055	前挡板	Head Board	1
31	GB96.1-06	垫圈6	Washer 6	3
32	GB12618-06015	抽芯铆钉6×15	Self-plugging Rivet 6x15	3
33	1850007	后盖板轴	Rod, Rear Cover	1
34	1850001	后盖板	Rear Cover	1
35	GB12618-05010	抽芯铆钉5×10	Self-plugging Rivet 5x10	4

DRIVE ASSEMBLY



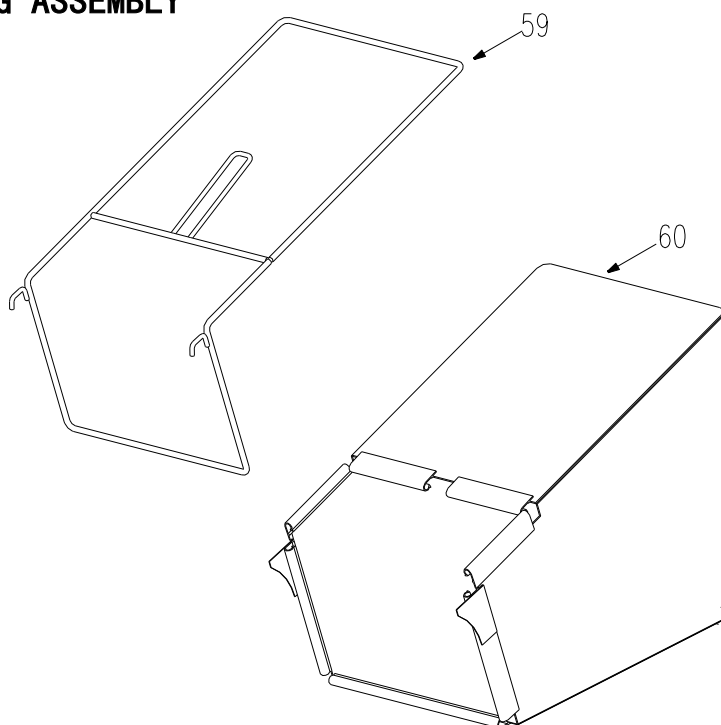
Ref. No.	Parts No.	Description	Description	Quantity
12	GB6182-06	螺母M6	Nylon Insert Lock Nut M6mm	4
36	GB5783-06016	螺钉M6×16	Phillips Pan Hd Screw M6×	4
37	GB109-05011	平头铆钉5×11	Flathead Rivet 5×11	3
38	1850093	调高手柄	Cutting Height Adjustment	1
39	1850089	后轮轴焊合	Rear Axle Assembly	1
40	1850099	小轮盖	Wheel cap	4
41	1600063	轴承	Nylon Bearing 1/2"	8
42	1850100	7" 轮子	7" Wheel	4
43	1850057	7" 轮毂	7" Wheel Boss	4
44	WORD18-01	轴承	Nylon Bearing 1/2"	4
45	2007401	隔套	Bushing	2
46	1850025	手柄板	Handle Board	1
47	4016696	前轮轴套	Front Wheel Axle Sleeve	2
48	1850013	前轴焊合	Front Shaft Assembly	1
49	1850075	左固定簧	The Left Fixed Spr	1
50	1850076	右固定簧	The Right Fixed Spr	1
51	GB16674.1-08016	螺栓M8×16	Square Neck Bolt M8X16mm	4
52	1850117	拉杆铆合	Haul Shank Seam	1
53	XSZ56-1-17	插销	Hair Pin	2

BLADE ASSEMBLY



Ref. No.	Parts No.	Description	Description	Quantity
54	1600619	刀座垫套	Bushing	1
55	1600702	刀座焊合	Blade Adaptor	1
56	1850062	刀片	Blade	1
57	XSZ56-2-17	垫圈	Washer	1
58	2200010	中心螺栓	Bolt	1

GRASS BAG ASSEMBLY



Ref. No.	Parts No.	Description	Description	Quantity
59	1850102	集草袋框架	Bag Frame	1
60	1850036	集草袋	Fabric Bag	1