

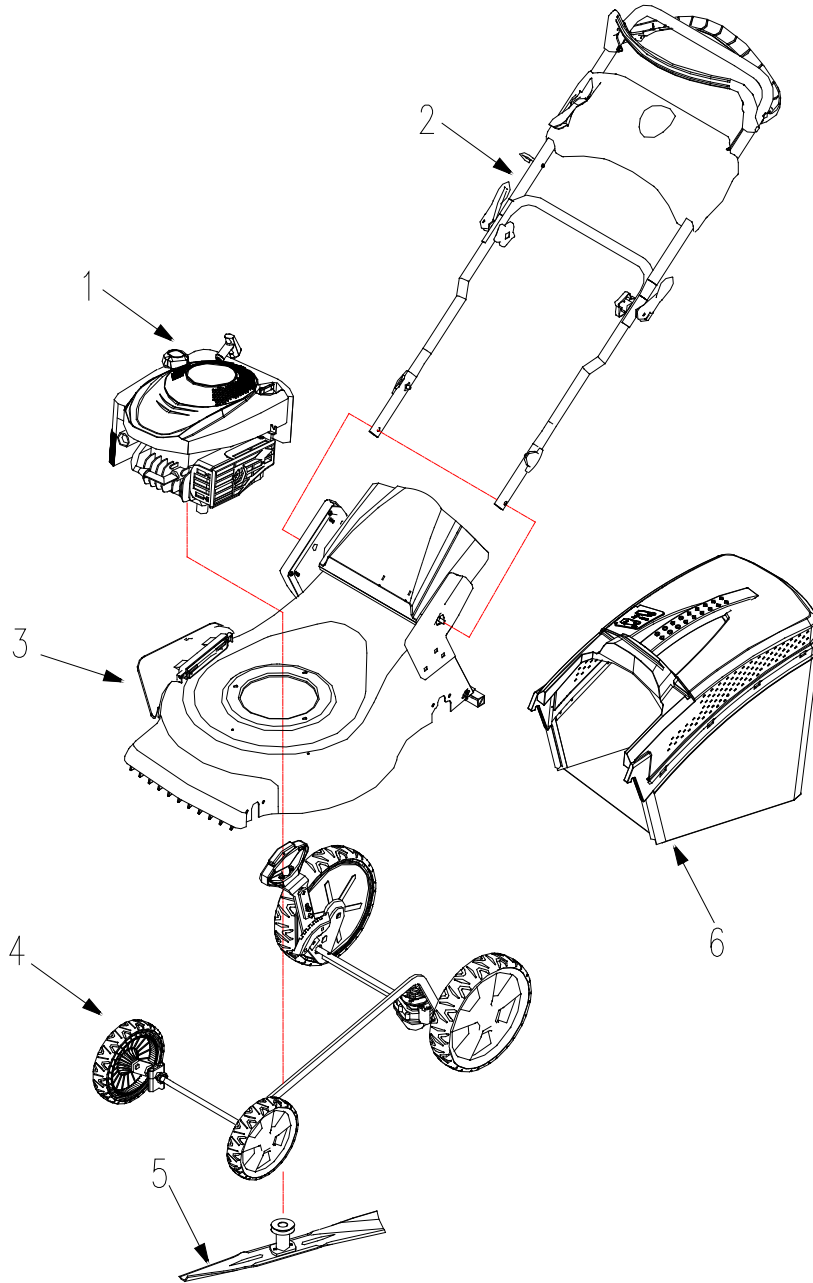


MOWER ASSEMBLY .....	1
HANDLEBAR & CONSOLE .....	2
MOWER DECK ASSEMBLY .....	4
DRIVE ASSEMBLY .....	6
STRAIGHT BLADE ASSEMBLY .....	8
GRASS BAG ASSEMBLY .....	9



沃得集团  
WORLD GROUP

# MOWER ASSEMBLY

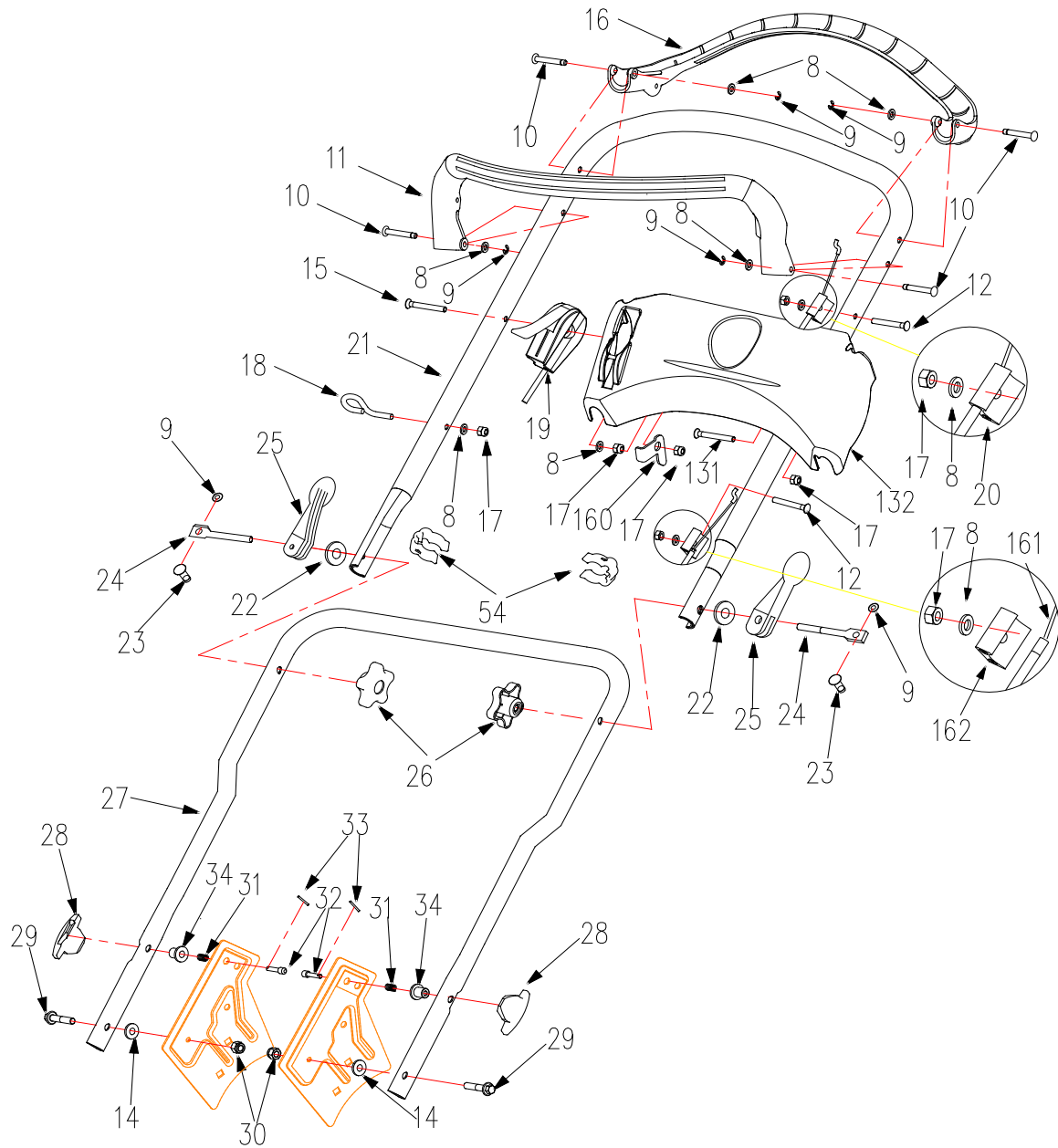


REFNO.	PARTNO.	DESCRIPTION	Quantity
1		Engine	
2		Handlebar & Console	
3		Mower Deck Assembly	
4		Drive Assembly	
5		Straight Blade Assembly	
6		Grass Bag Assembly	



沃得集团  
WORLD GROUP

# HANDLEBAR & CONSOLE





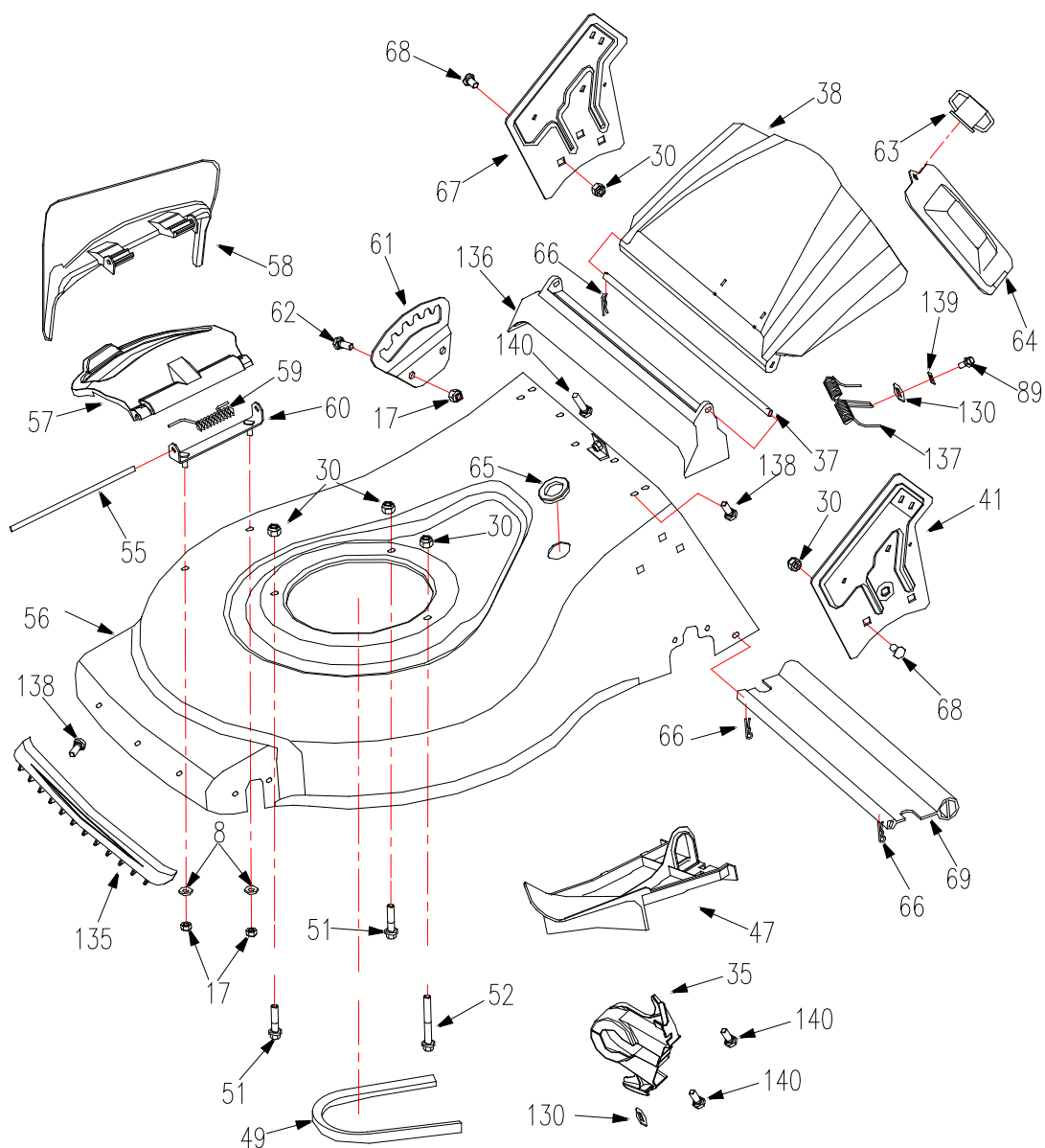
## HANDLEBAR & CONSOLE

REFNO.	PART NO.	DESCRIPTION	Quantity
8	B97.1-6	Flat Washer 6	7
9	B896-5	E-Chip 5	4
10	2003013	Axle Pin	4
11	2003016	Flywheel Brake Lever	1
12	B820-640	Phillips Hd Screw M6x40	1
14	2000035	Bronze Bushing	2
15	B5787-660	Square Neck Bolt M6x60	1
16	2003012	Shift lever Assembly	1
17	B6182-6	Phillips Hd Screw M6x50	4
18	WORD18.6-05	Rope Guide	1
19	2215300	Throttle Control System	1
20	2203348	Cable Unit	1
21	2012301	Upper Handle	1
22	2003022	Spacer	2
23	2003023	Axle Pin	2
24	2003021	Screw Stem	2
25	2003024	Handle	2
26	XSZ56-1-09	Knob Nut M8	2
27	2003015	Lower Handle	1
28	2003007	Switch	2
29	B5787-820	Square Neck Bolt M8x20	2
30	B6182-8	Nylon Insert Lock Nut M8	2
31	2003008	Compress Spring	2
32	2003010	Hair Pin	2
33	B879-212	Spring Pin 2x12	2
34	2003009	Spring Seat	2
54	2011031	Cable clamp	2
131	B5787-630	Hex Hd. Flange Bolt M6x30	1
132	2012302	Control Panel	1
160	2012303	Bracket	1
161	2012401	Clutch Cable	1
162	2011022	permanent seat	1



沃得集团  
WORLD GROUP

# MOWER DECK ASSEMBLY





沃得集团  
WORLD GROUP

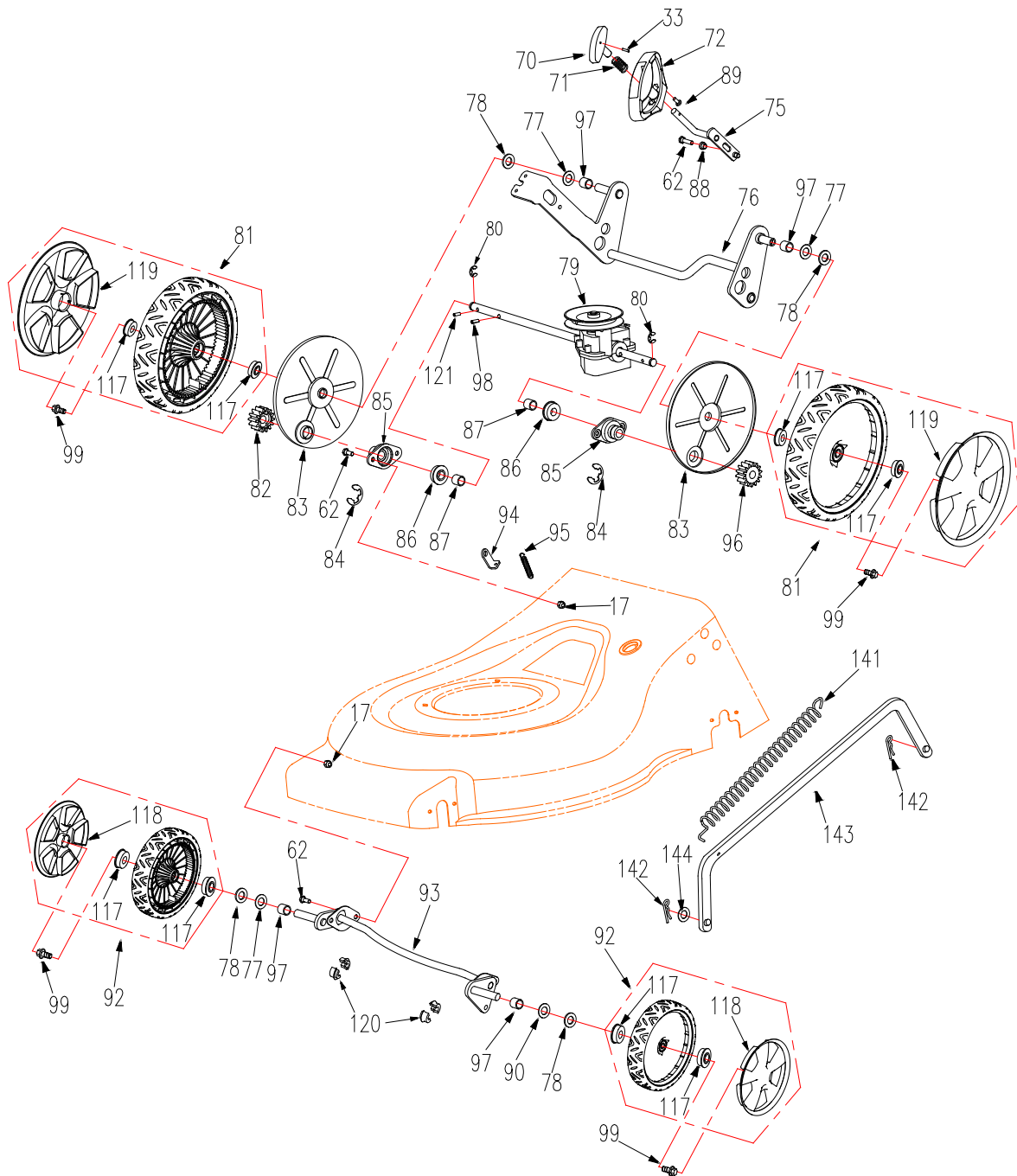
## MOWER DECK ASSEMBLY

REF	PART NO	DESCRIPTION	Quantity
8	B97.1-6	Flat Washer 6	2
17	B6182-6	Nylon Insert Lock Nut M6	4
30	B6182-8	Nylon Insert Lock Nut M8	6
35	2000066	Belt cover	1
37	2100350	Rod, Rear Cover	1
38	2100466	Rear Cover	1
41	2012007	Left Bracket	1
47	2012010	Mulching Plug	1
49	2012013	V-Belt A800	1
51	B5787-835	Hex Hd. Flange Bolt M8x35	2
52	B5787-865	Hex Hd. Flange Bolt M8x65	1
55	2000019	Pivot Shaft	1
56	2012820A	Mower Deck	1
57	2000016	Mulch Cover	1
58	2013008	Side Discharge Chute	1
59	2200021	Torsion Spring	1
60	2213000	Mounting Bracket	1
61	2012004	Height Adjustment Rack	1
62	B5787-616	Hex Hd. Flange Bolt M6x16	2
63	2100012	Nut Washer	1
64	2008011	Guard	1
65	4LZ2.16.4-04	Rubber Ring	1
66	B91-216	Spring Pin 2x16	2
67	2012008	Right Bracket	1
68	B801-816	Hex Hd. Flange Bolt M8x16	6
69	XSS46-15A	Rear Guard	1
89	B5787-620	Hex Hd. Flange Bolt M6x20	1
130	B96-6	Flat Washer 6	3
135	2013009	Grass comb	1
136	2012003	Rear Cover Rack	1
137	2012006	Torsion Spring	1
138	B5285-5513F	Self-screw ST5.5X13F	6
139	B93-6	Flat Washer 6	1
140	B5285-5519	Self-screw ST5.5X19C	6



沃得集团  
WORLD GROUP

# DRIVE ASSEMBLY





沃得集团  
WORLD GROUP

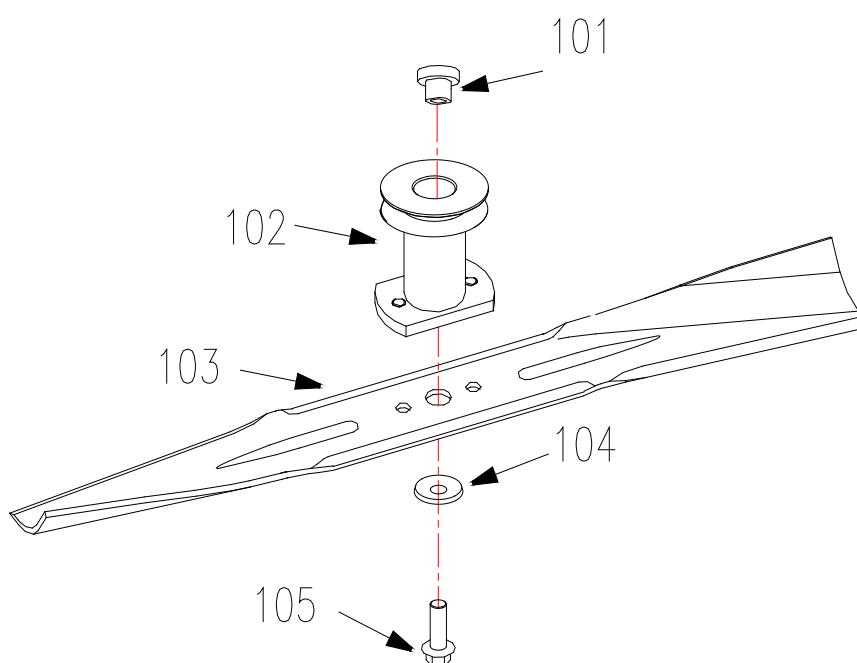
## DRIVE ASSEMBLY

REF	PART NO	DESCRIPTION	Quantity
17	B6182-6	Nylon Insert Lock Nut M6	8
33	B/T879-212	Spring Pin 2x12	1
62	B5787-616	Hex Hd. Flange Bolt M6x16	8
70	2012701	Switch	1
71	2012703	Compress Spring	1
72	2012702	Handle Seat	1
75	2012710	Rear Handle	1
76	2012720	Rear Axle	1
77	B97.1-12	Washer 12	3
78	B955-12	Flat Washer 12	4
79	84551	Transmission, 1 Speed	1
80	B/T896-9	E-Chip 9	2
81	01110	11 " Rear Wheel	2
82	2200033	Pinion Gear, Right	1
83	0110001	Cover	2
84	XSZ56-2-0	E-Chip 19	2
85	2207002A	Bearing Housing	2
86	2207003	Bearing 8806	2
87	2207001	Bronze Bushing	2
88	2007006	Bronze Bushing	1
89	B5787-620	Hex Hd. Flange Bolt M6x20	2
90	2012012	Spacer	1
92	00800	8 " Fore wheel	2
93	2012900	Front Axle	1
94	2100496	Support plate	1
95	2012016	Tension spring , transmission	1
96	2200032	Pinion Gear, Left	1
97	2007401	Bronze Bushing	4
98	B879-516	Pin 5x16	2
99	B5787-816	Hex Hd. Flange Bolt M8x16	4
117	2201002	Wheel Bearing	8
118	00801	Hub Cap	2
119	01111	Hub Cap	2
120	WORD18-0	Bearing	4
121	XSZ56-2-0	Roll Pin	2
141	2200053	Tension Spring	1
142	XSZ56-1-1	Hair Pin	2
143	2012200	Haul Shank Seam	1
144	2000086	Flat Washer 8	-





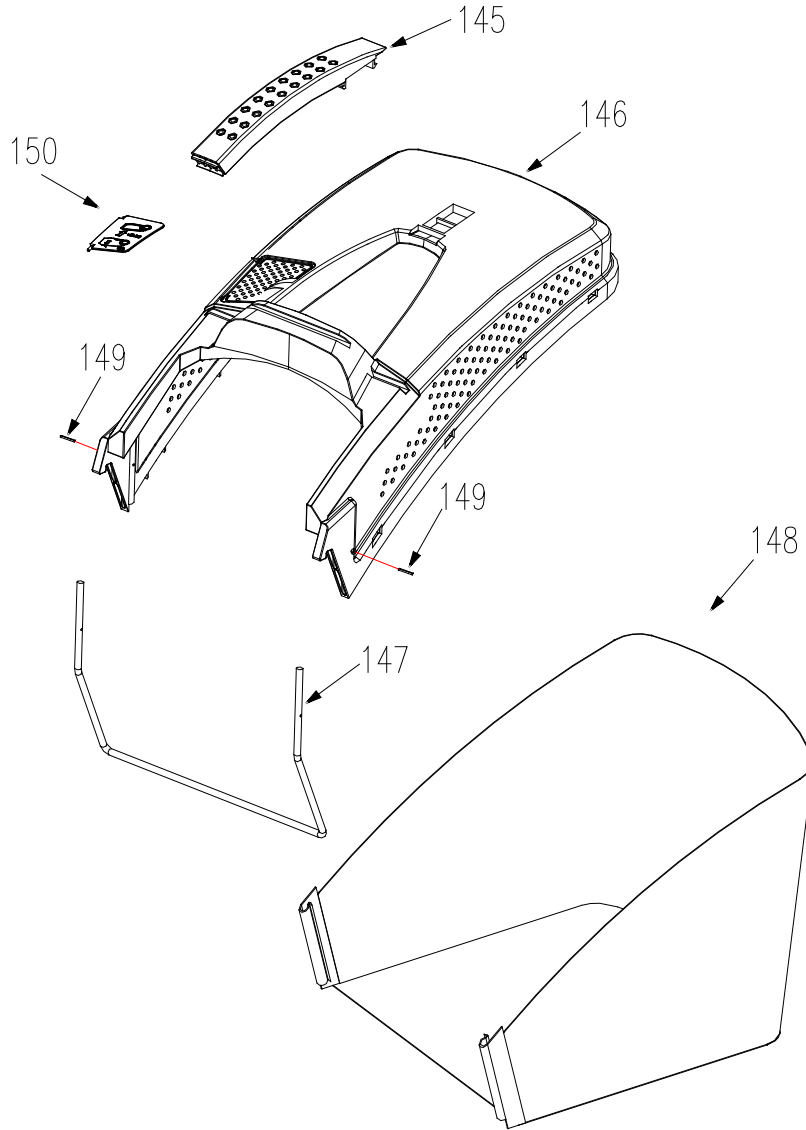
# STRAIGHT BLADE ASSEMBLY



REF	PART NO	DESCRIPTION	Quantity
101	1819002	Blade Bolt	1
102	2012100	Blade adaptor	1
103	2000002	Blade	1
104	XSZ56-2-17	Spacer	1
105	2200010	Blade Bolt	1



# GRASS BAG ASSEMBLY



REF	PART NO	DESCRIPTION	Quantity
145	2100463A	Bag Handle	1
146	2100447A	Upper cover	1
147	2012611	Bag Frame	1
148	2012620	Fabric Bag	1
149	B879-2513	Spring Pin 2.5X13	2
150	2100446A	Flap	1



**沃得集团**  
WORLD GROUP

---

### 图册更新说明

更新 1：生产时间                    年    月    日

序号	原代号	名称	新代号	备注