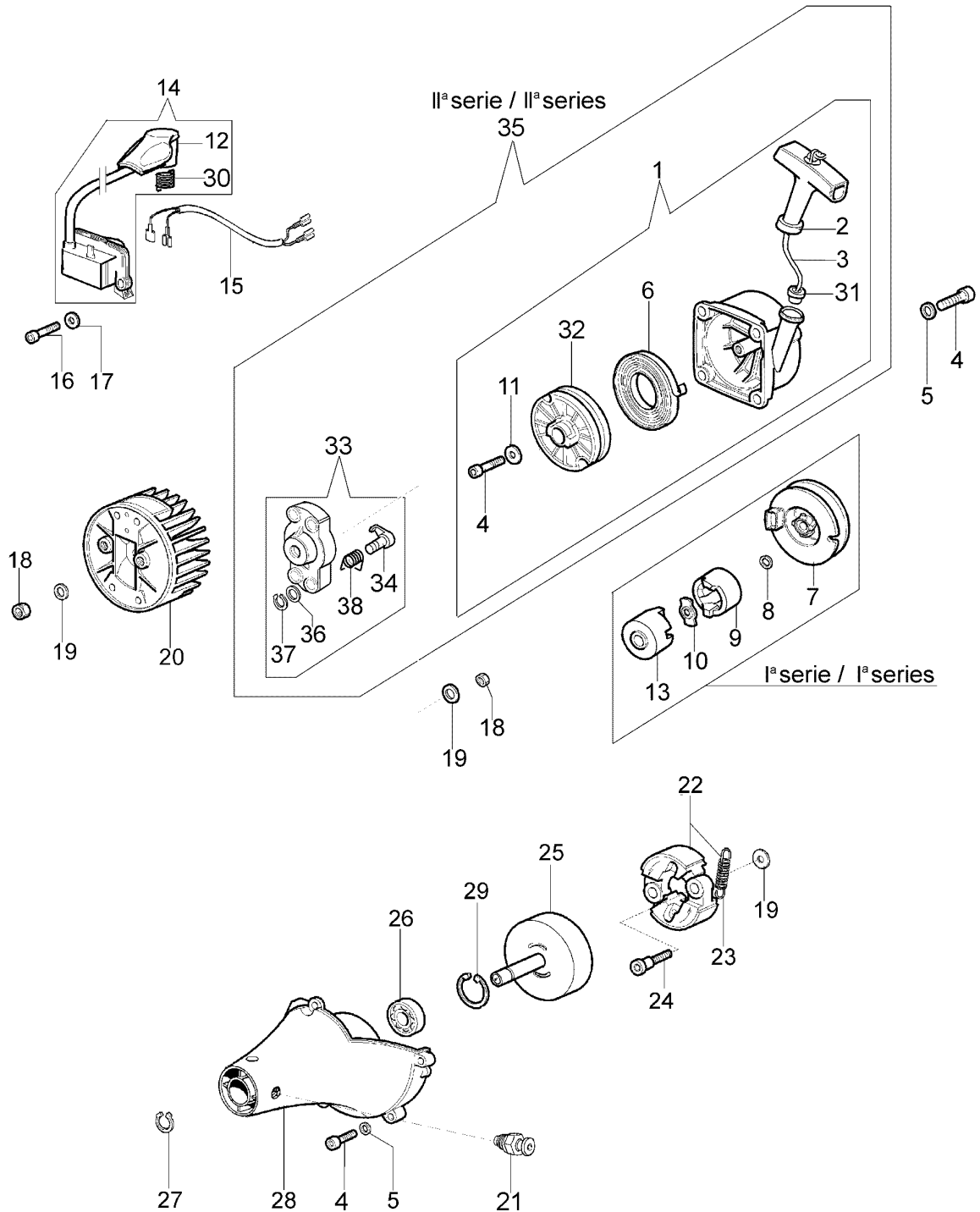
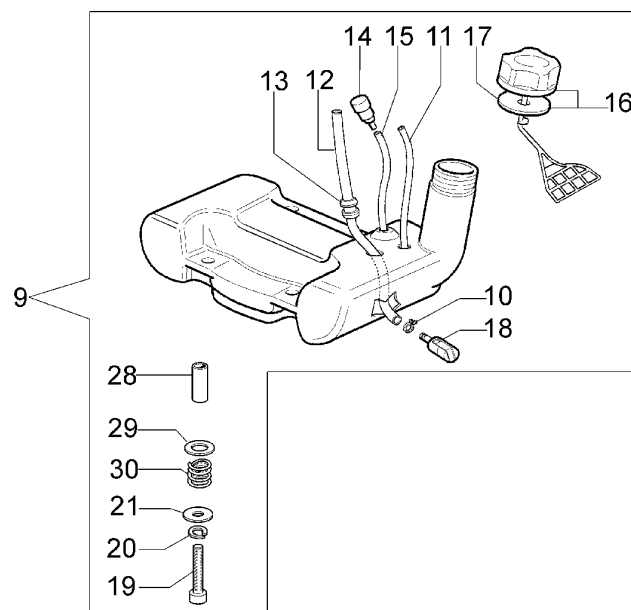
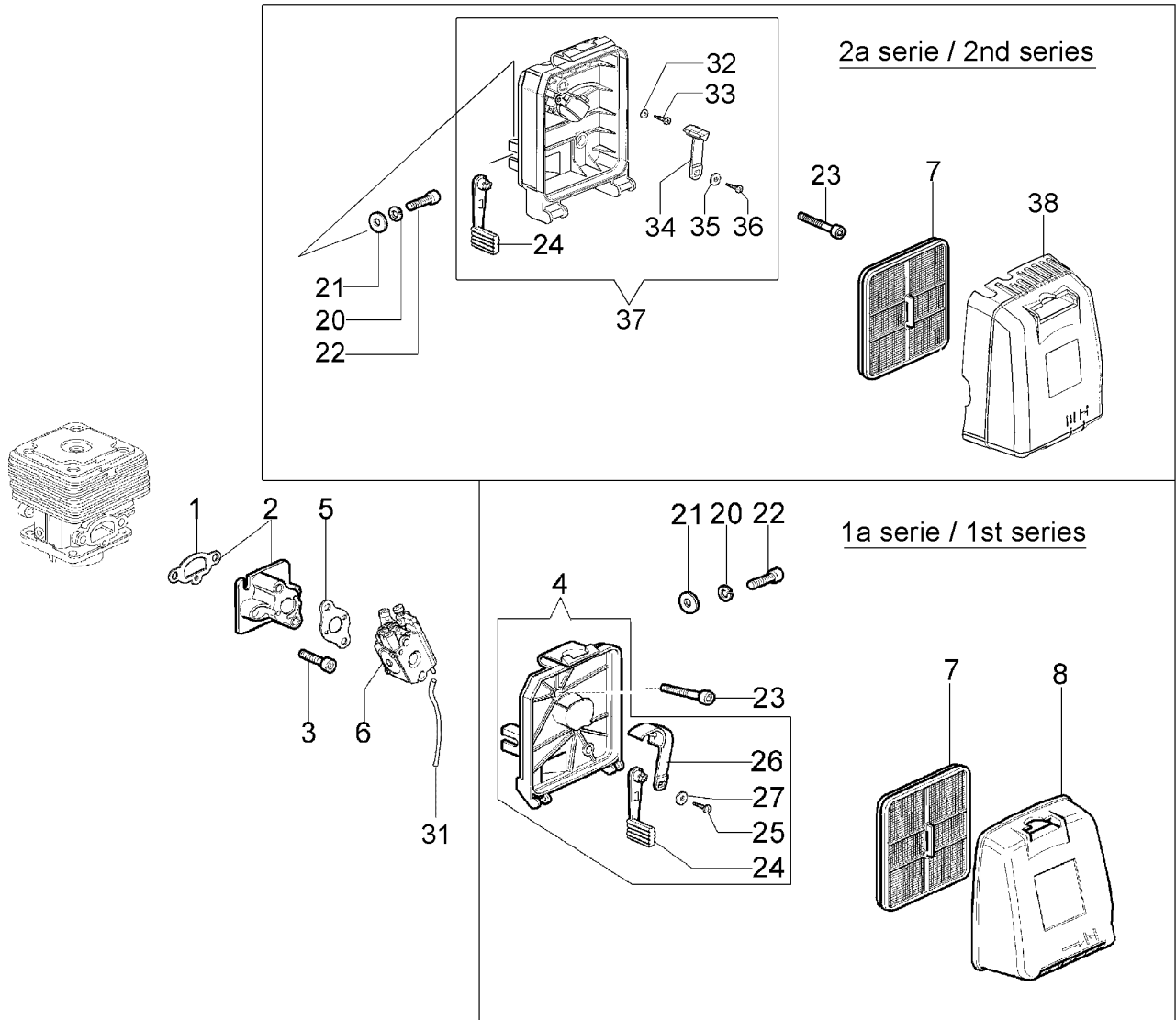


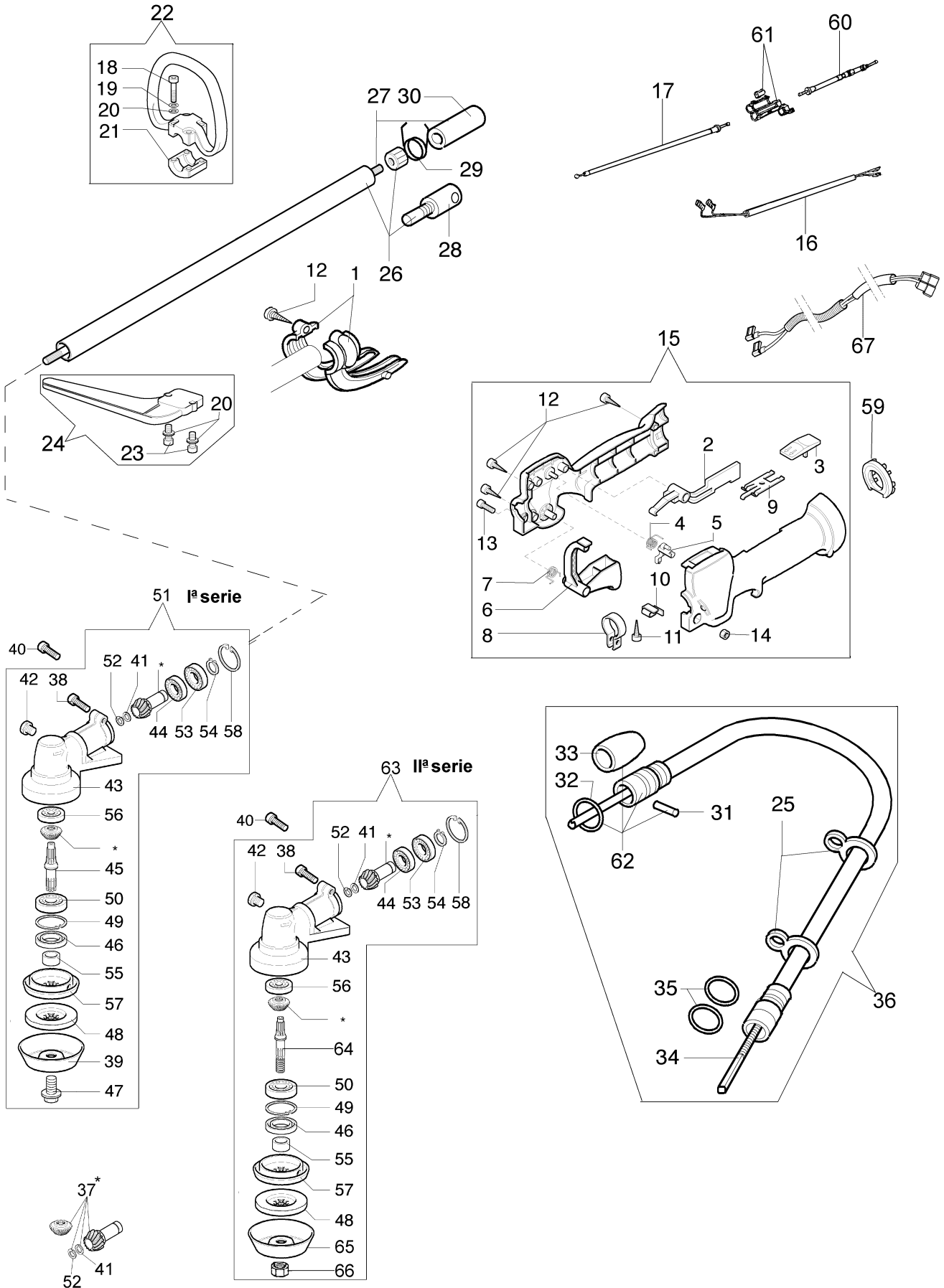
Ref.Nu	Qty	Part number	Description	Validity from	Validity till	Notes	Bulletin
1	1	2318817R	Air purge				
2	1	61200027R	Cylinder cover		SN 2732083136		BT3-118-07/12
2	1	61210032R	Cylinder cover	SN 2732083137			BT3-118-07/12
3	2	4191069B	Plate				
4	2	3801065R	Screw		SN 2732083136		BT3-118-07/12
4	2	3801069R	Screw	SN 2732083137			BT3-118-07/12
5	2	3819036R	Washer		SN 2732083136		BT3-118-07/12
5	2	3819010	Washer	SN 2732083137			BT3-118-07/12
6	1	3916006R	Washer				
7	1	61200061R	Muffler		SN 2732083136		BT3-118-07/12
7	1	61200292R	Complete muffler	SN 2732083137			BT3-118-07/12
8	1	61200063R	Deflector		SN 2732083136		BT3-118-07/12
8	1	61210035R	Deflector	SN 2732083137			BT3-118-07/12
9	1	3055101	Spark plug				
10	1	61330095R	Gasket				
11	2	074000405R	Piston ring				
12	2	004900061R	Ring				
13	1	50110047R	Piston pin				
14	1	50120034A	Piston assy Ø40				
15	1	61202022	Complete cylinder				
16	1	50110044R	Bearing				
17	2	50110043AR	Spacer				
18	1	61200001R	Crankshaft				
19	1	61200064R	Stopper				
20	1	61200113AR	Crankcase assy				BT3-079-02/09
21	1	3860096	Screw				
22	2	094000006R	Bearing				
23	1	61200006AR	Gasket				
24	2	094000099R	Seal ring				
25	4	094000101R	Screw				
26	4	3833073R	Washer				
27	2	3023008R	Plug				
28	1	3916005R	Washer				
29	1	3819006R	Grower				
30	1	3801010R	Screw				
31	2	3960030	Screw				
32	1	3960032R	Screw				
33	1	61202038R	Gasket set				



Ref.Nu	Qty	Part number	Description	Validity from	Validity till	Notes	Bulletin
1	1	61200258R	Starter assy				
2	1	61200015R	Starter handle				
3	1	56520087R	Starter rope				
4	8	3801010R	Screw				
5	4	3916005R	Washer				
6	1	004000132R	Spring				
7	1	56520038AR	Pulley				
8	1	3027005R	Ring				
8	4	3801010R	Screw				
9	1	56520039AR	Shaft joint				
10	1	56520040A	Plate				
11	1	3918028R	Washer				
12	1	61200012R	Spark plug cap				
13	1	61200062AR	Clutch driver				
14	1	61250015BR	Ignition coil				
15	1	61200042R	Cable				
16	2	3801013R	Screw				
17	2	3819006R	Grower				
18	1	3912009	Nut				
19	1	3818011A	Washer				
20	1	61250014AR	Flywheel				
21	1	4197011	Pin				
22	1	4191153AR	Clutch				
23	1	4191028R	Spring				
24	1	4191027FR	Pin				
25	1	4193005R	Clutch drum				
26	1	3035042R	Bearing				
27	1	3024015	Snap ring				
28	1	62040011R	Starter case				
29	1	3025022R	Seeger				
30	1	61200067R	Spring				
31	1	072700089R	Bushing				BT3-097-07/10
32	1	41910188R	Starter pulley				BT3-097-07/10
33	1	61252002R	Clutch driver				BT3-097-07/10
34	2	4191016R	Pawl				BT3-097-07/10
35	1	61200260	Starter kit assy				BT3-097-07/10
36	2	3064010	Washer				BT3-097-07/10
37	2	3024007	Ring				BT3-097-07/10
38	2	4191017A	Spring				BT3-097-07/10

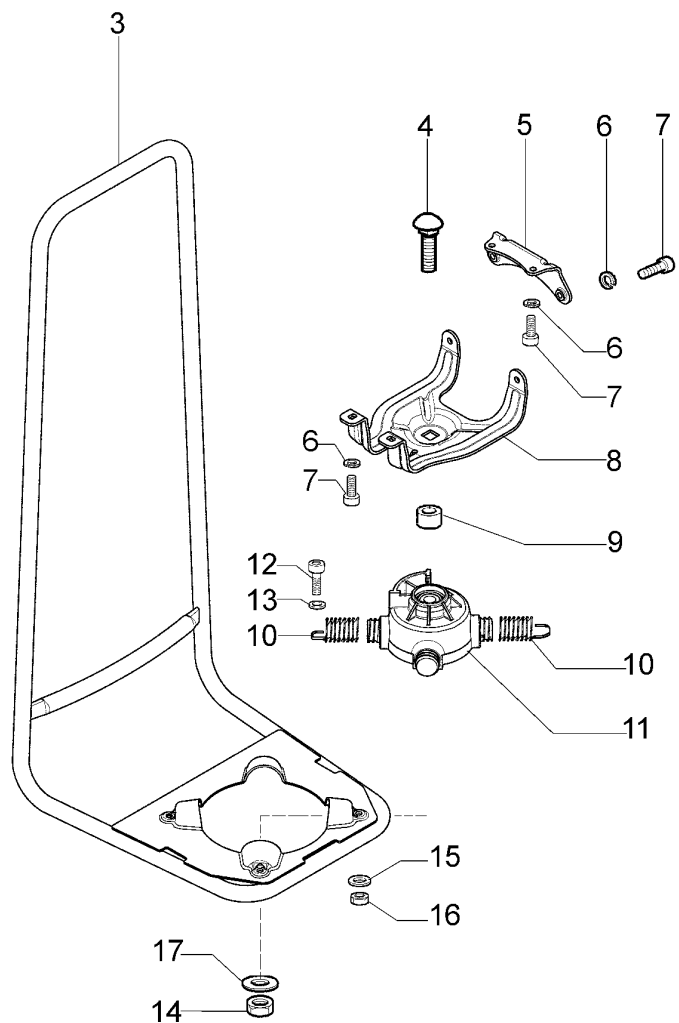
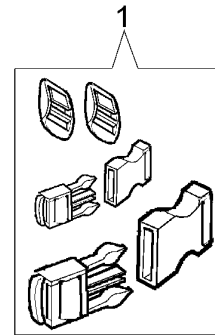
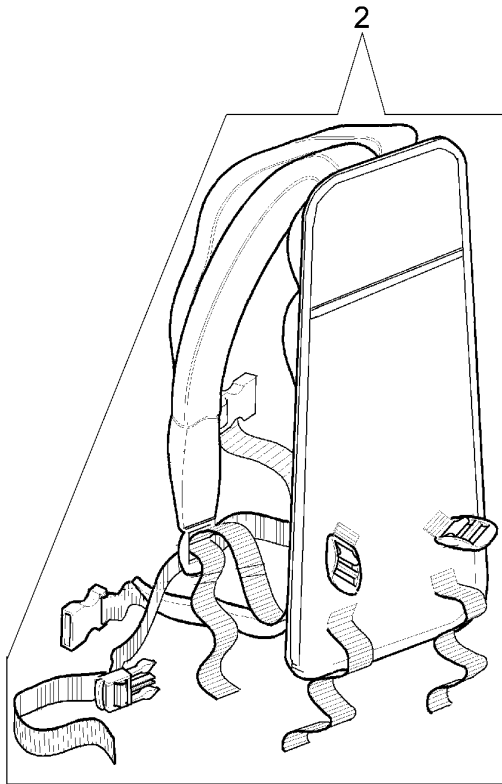


Ref.Nu	Qty	Part number	Description	Validity from	Validity till	Notes	Bulletin
1	1	61200019AR	Gasket				
2	1	61200198	Insulator				
3	2	3801015	Screw				
4	1	61212062	Complete support		SN 2732083136		BT3-118-07/12
5	1	61200196AR	Gasket				
6	1	2318765AR	Carburetor WT-869A		SN 2732083136		BT3-118-07/12
6	1	2318735CR	Carburetor WT-870B	SN 2732083137			BT3-118-07/12
7	1	61200025BR	Air filter				
8	1	61200026R	Cover		SN 2732083136		BT3-118-07/12
9	1	62042010R	Tank				
10	1	4098377R	Band				
11	1	61200092AR	Tube				
12	1	61200093R	Tube				
13	1	4161211R	Bush				
14	1	61070011AR	Breather valve				
15	1	61250228R	Tube				
16	1	61070079R	Tank cap				
17	1	61070006R	Gasket				
18	1	50010218R	Fuel filter				
19	4	3801016R	Screw				
20	4	3918005	Washer				
21	1	3819006R	Grower				
22	1	3801013R	Screw				
23	2	61052009BR	Screw				
24	1	61200024R	Lever				
25	1	3960069AR	Screw		SN 2732083136		BT3-118-07/12
26	1	61200023AR	Shutter		SN 2732083136		BT3-118-07/12
27	1	4120070	Washer		SN 2732083136		BT3-118-07/12
28	4	61250143R	Spacer				
29	4	3916008R	Washer				
30	4	61200129R	Spring				
31	1	61200091R	Tube				
32	2	3916022R	Washer				
33	2	3960145R	Screw				
34	1	61200204AR	Shutter	SN 2732083137			BT3-118-07/12
35	1	3918003	Washer	SN 2732083137			BT3-118-07/12
36	1	3960087AR	Screw	SN 2732083137			BT3-118-07/12
37	1	61202063	Complete support	SN 2732083137			BT3-118-07/12
38	1	61200205R	Filter cover	SN 2732083137			BT3-118-07/12

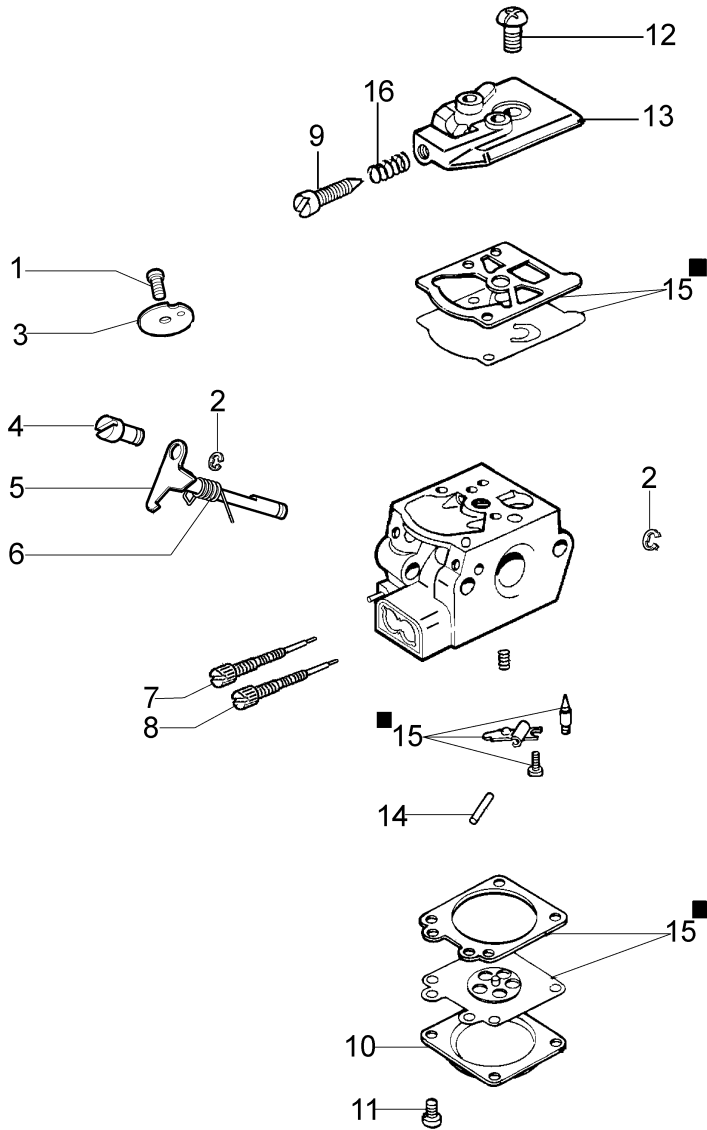


Ref.Nu	Qty	Part number	Description	Validity from	Validity till	Notes	Bulletin
1	1	4197056	Guard assy				
2	1	61040050AR	Lever				
3	1	61040051	Slide control				
4	1	61040057R	Spring				
5	1	61040052	Pawl				
6	1	61040049	Throttle lever				
7	1	61040056R	Spring				
8	1	61010019	Band				
9	1	61040053	Plate				
10	1	61040054	Plate				
11	1	3960061AR	Screw				
12	3	3960067AR	Screw				
13	1	3801011	Screw				
14	1	3914003R	Nut				
15	1	61012006AR	Handle				
16	1	61250216R	Cable				
17	1	62040026R	Throttle cable				
18	4	3801017R	Screw				
19	6	3819006R	Grower				
20	4	3918010R	Washer				
21	1	61010024R	Clamp				
22	1	61032012R	Handle				
23	2	3801015	Screw				
24	1	61042026	Guard				
25	1	62020012	Eyelet				
26	1	4197074R	Tube				
27	1	4197019R	Shaft				
28	1	4197077	Extension				
29	1	4193078	Spring				
30	1	4197004R	Joint				
31	1	3022010	Plug				
32	1	3049009	O-ring				
33	1	4197062	Guard				
34	1	4137005DR	Drive shaft				
35	2	3049008	O-ring				
36	1	4197018ER	Flexible assy				
37	1	61040132	Bevel gear set				
38	1	3901016	Screw				
39	1	4100456R	Guard				BT3-082-03/09
40	1	3901008R	Screw				
41	1	4138311A	Ring				
42	1	61040071R	Cap				
43	1	61050013R	Gear case				
44	1	3034008R	Bearing				
45	1	61040106A	Pin				BT3-082-03/09
46	1	3050018R	Seal ring				
47	1	61040074AR	Screw				BT3-082-03/09
48	1	4179089R	Flange				
49	1	3025022R	Seeger				
50	1	3034012R	Bearing				
51	1	61250237	Set bevel gear Ø26 + insert				BT3-082-03/09
52	1	3025009	Ring				
53	1	3035230	Bearing				
54	1	3024010R	Ring				
55	1	61040066R	Spacer				
56	1	3034218	Bearing				
57	1	61040145R	Hub				
58	1	3025018R	Ring				
59	1	4197072	Grip-end				
60	1	62040025R	Throttle cable				
61	1	044000058A	Cable joint				
62	1	4197017ER	Sheath				
63	1	61250237	Set bevel gear Ø26 + insert				BT3-082-03/09

63	1	61250237	Set bevel gear $\varnothing 20$ + insert	BT3-082-03/09
64	1	61250054R	Pin	BT3-082-03/09
65	1	61110074R	Guard	BT3-082-03/09
66	1	61110075R	Nut	BT3-082-03/09
67	1	61250178R	Cable	

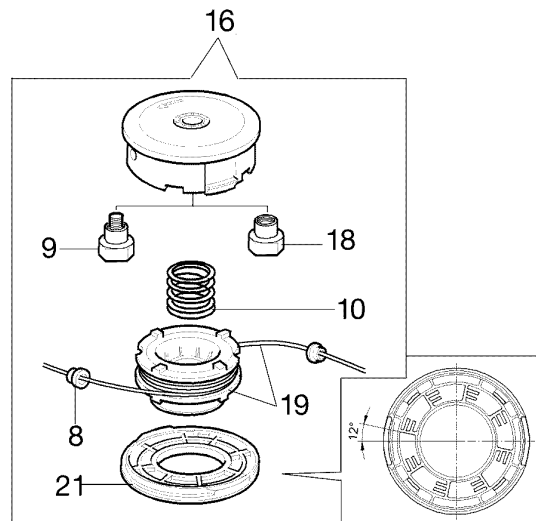
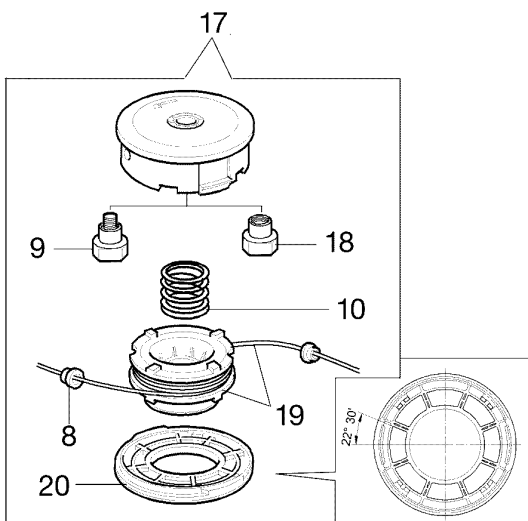
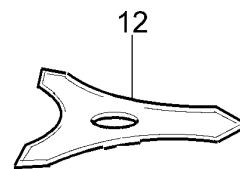
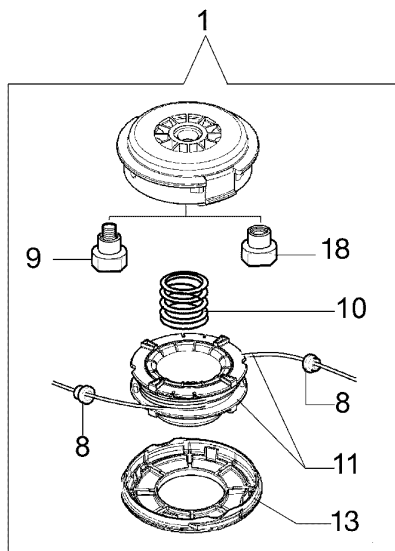
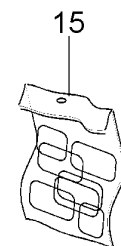
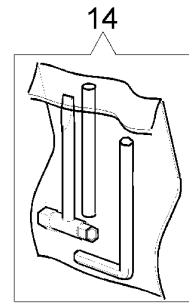
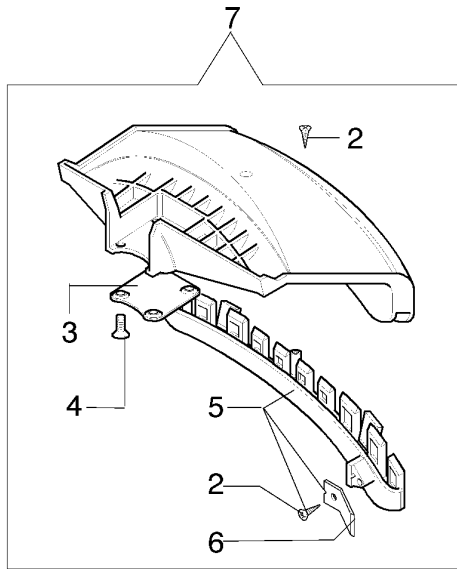


Ref.Nu	Qty	Part number	Description	Validity from	Validity till	Notes	Bulletin
1	1	62022030	Buckle set				
2	1	61250173R	Harness				
3	1	62040021R	Frame				
4	1	3910024	Screw				
5	1	62040024R	Plate				
6	4	3819006R	Grower				
7	4	3801013R	Screw				
8	1	62040023AR	Support				
9	1	62030020	Spacer				
10	4	58040079AR	Spring				
11	1	62030067	Hub				
12	8	3801011	Screw				
13	4	3918005	Washer				
14	1	3914014R	Nut				
15	4	3918006	Washer				
16	4	3914003R	Nut				
17	1	3916010R	Washer				

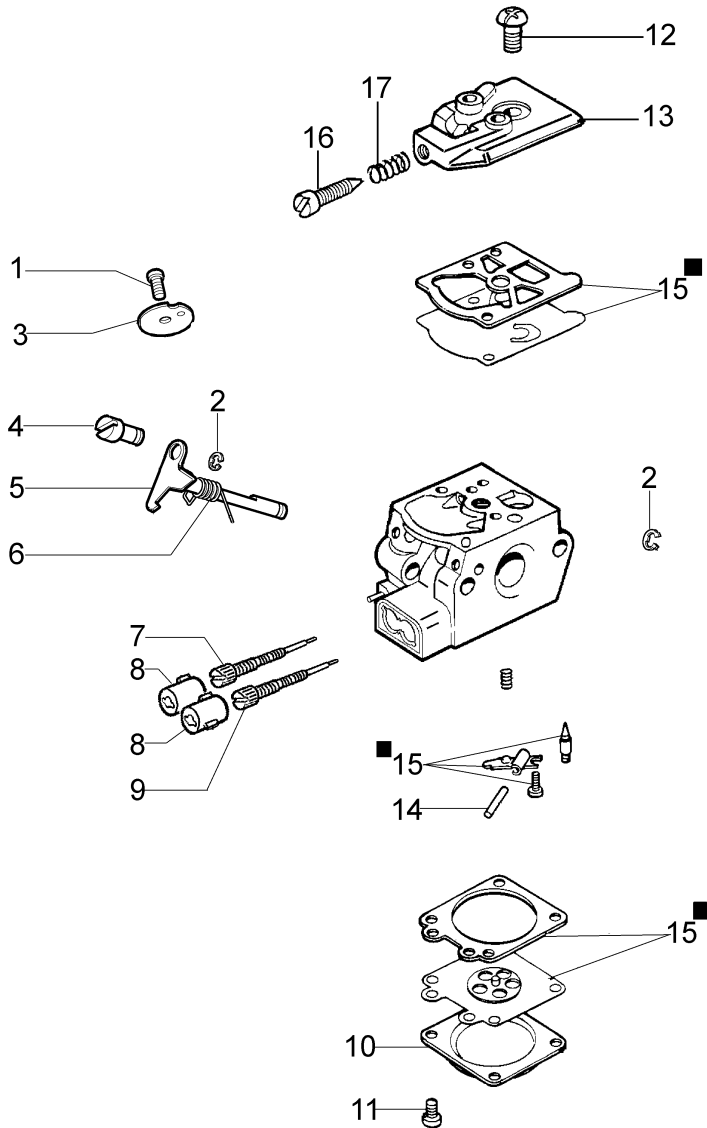


15 ■ KIT RIPARAZIONE
REPAIR KIT

Ref.Nu	Qty	Part number	Description	Validity from	Validity till	Notes	Bulletin
1	1	50010141	Screw				
2	2	095000164	Ring				
3	1	072700211	Shutter				
4	1	2318211	Pin				
5	1	2318737	Shaft				
6	1	072700347	Spring				
7	1	2318837	Adjust. screw				
8	1	074000240	Adjust. screw				
9	1	2318631	Adjust. screw				
10	1	2318191	Cover				
11	4	035000162	Screw				
12	1	003300197	Screw				
13	1	375100087	Cover				
14	1	003300201	Spindle				
15	1	2318671	Repair kit				
16	1	094600148	Spring				



Ref.Nu	Qty	Part number	Description	Validity from	Validity till	Notes	Bulletin
1		-	Not available for this product			Sostituita da testina completa codice 63019022 (inserto maschio), 63019020 (inserto femmina); Replaced by complet head p/n 63019022 (male insert), 63019020 (female insert)	
2	2	3960040R	Screw				
3	1	4174278	Plate				
4	4	3802004CR	Screw				
5	1	4174283AR	Skirt w/blade				
6	1	4174275R	Blade				
7	1	61042035AR	Guard				
8	1	4199005A	Bushing				
9	1	4199008B	Insert (male)				BT3-082-03/09
10	1	4199004	Spring				
11	1	4199041R	Nylon spool Ø2,4				
12	1	4095673AR	Disk				
13	1	4199035BR	Cover				
14	1	61052031	Tool kit				
15	1	62042016	Labels kit				
16	1	63019022	Compl. nylon head EF Ø2,4			Inserto maschio; Male insert	BT3-082-03/09
16	1	63019020	Compl. nylon head EF Ø2,4			Inserto femmina; Female insert	BT3-082-03/09
17		-	Not available for this product			Sostituita da testina completa codice 63019022 (inserto maschio), 63019020 (inserto femmina); Replaced by complet head p/n 63019022 (male insert), 63019020 (female insert)	
18	1	61110076	Insert (female)				BT3-082-03/09
19	1	4199052	Nylon spool				
20	1	4199026B	Cover				
21	1	4199046	Cover				



15 ■ KIT RIPARAZIONE
REPAIR KIT

Ref.Nu	Qty	Part number	Description	Validity from	Validity till	Notes	Bulletin
1	1	50010141	Screw				
2	2	095000164	Ring				
3	1	095000141	Shutter				
4	1	2318211	Pin				
5	1	2318786	Shaft				
6	1	094600208	Spring				
7	1	2318893	Screw L				
8	2	2318687	Caps-lock				
9	1	2318736	Adjust. screw				
10	1	2318191	Cover				
11	4	035000162	Screw				
12	1	003300202	Screw				
13	1	50050107	Cover				
14	1	003300201	Spindle				
15	1	2318671	Repair kit				
16	1	074000240	Adjust. screw				
17	1	094600148	Spring				