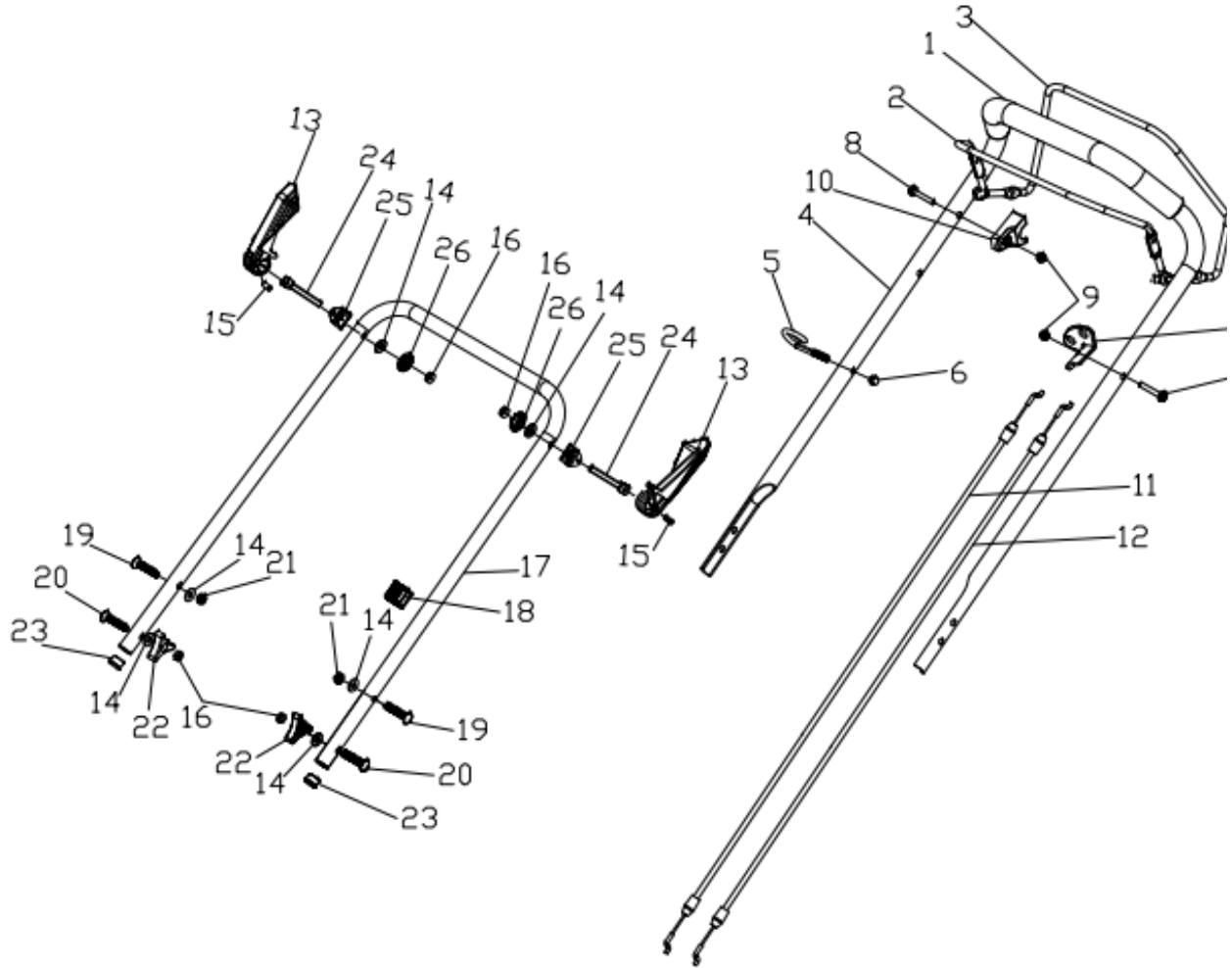


Drawing No.:	455941-1	Date :
Product model :	S530VHY-W	
Component name :	Handle	Remark :



序号	物料号	零件名称	英文名称	数量
1	20340060130	B型发泡管(撕不烂)	foam pipe	1
2	70540083130	E型熄火扳手	stop lever	1
3	70550073060	E型自走扳手3#	Self-propelled Lever	1
4	70500232130	G型上扶手(带扶手挡块)	upper handrail	1
5	70230090000	加大迷宫挂扣	Rope Guide	1
6	60130020000	盖型螺母 M6/8.8级	Cap nut	1
7	70050120000	拉线固定座	Brake Cable Assy plate	1
8	60060590000	六角法兰面螺栓 M6X30	Bolt	2
9	60150080000	II型尼龙自锁螺母 M6/8.8级	Self-locking nut	2
10	20030030000	扳手挡板	Plastic stopper	1
11	70810040000	熄火单拉线 B-03	brake cable	1
12	70780080000	自走单拉线 P-03	selfpropelled cable	1
13	20580020060	飞鱼快速把手	quick fix knob	2
14	60190140000	平垫圈 $\phi 8.4 \times \phi 16 \times 1.6$	flat washer	6
15	60250080000	弹性圆柱销 $\Phi 6 \times 20$	Pin	2
16	60140080000	I型六角螺母 M8	Hexagon nut	4
17	70520220130	F型下扶手	lower handrail	1
18	20240010000	压线套	fastener	2
19	60040140000	大半圆头方颈螺栓 M8X32/8.8级	Half round head square neck bolts	2
20	60110030000	异型马车螺栓 M8X45	heterotypic carriage bolts	2
21	60150020000	II型尼龙自锁螺母 M8/8.8级	Hex lock nut	2
22	20040050060	三星旋钮B	triangle knob	2

23	20350010000	扶手堵头	handrail stopper	2
24	70220020000	扳手拉杆	Quick Fix Handle	2
25	70050180000	扳手锁块	lock for fast fix handle	2
26	20720010060	锁紧螺母套	lock nut	2

9

-7

-8