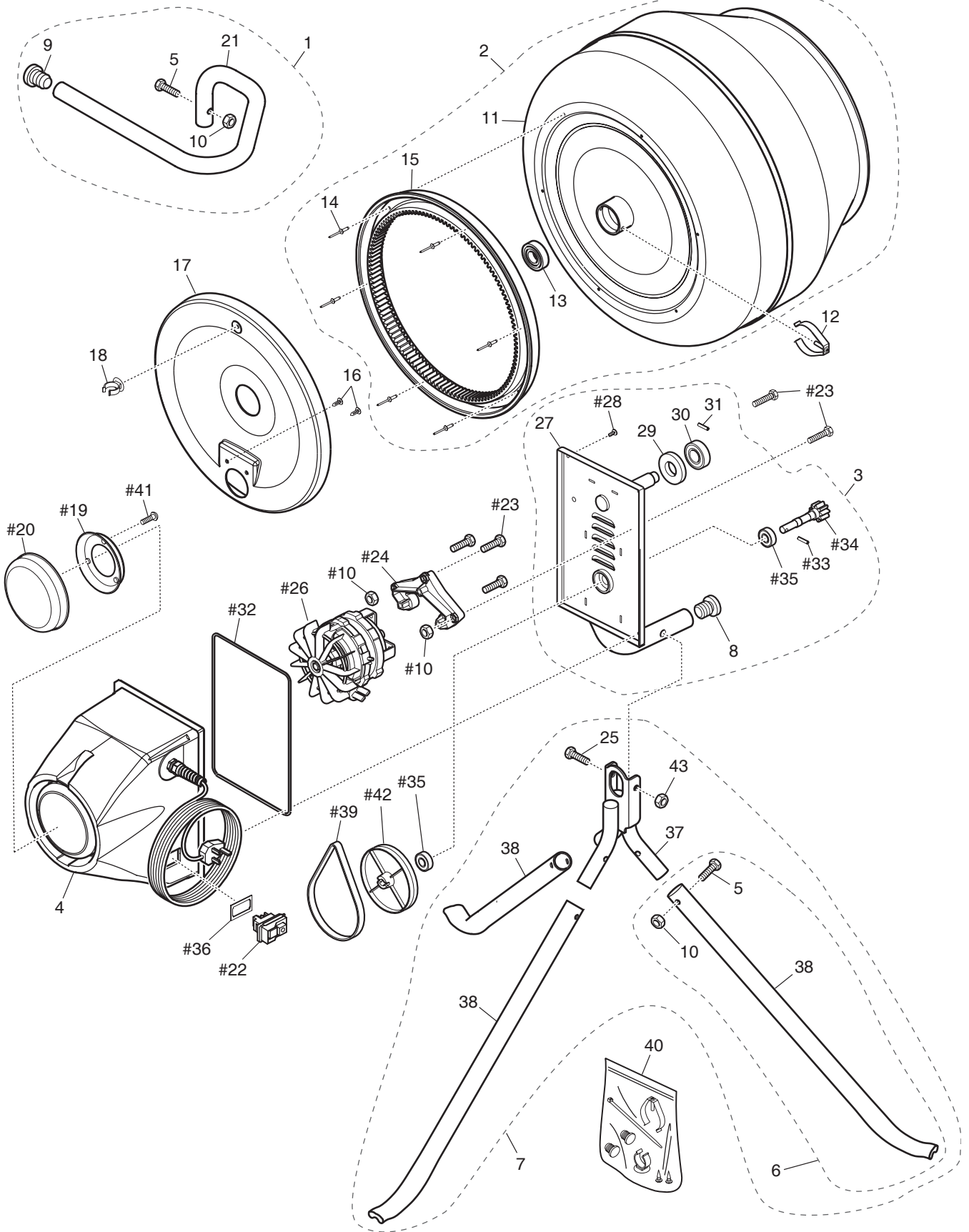


MASTERMIX MC110 PARTS DIAGRAM



⚠ CAUTION: PARTS WITH A # SHOULD ONLY BE FITTED BY A QUALIFIED ELECTRICIAN.

Avon Equipment Ltd. Unit 7/8 Bonville Business Centre, Dixon Road, Brislington, Bristol, B54 5QW, England
 Tel: 0117 972 3210 Fax: 0117 972 1120

The company reserve the right to amend or improve any specifications contained within this brochure without notice.

MASTERMIX JUNIOR MC 110 PARTS DIAGRAM

ITEM NUMBER	PART NUMBER	DESCRIPTION
1	929-10300	KIT HANDLE ASSEMBLY
2	929-10400	KIT DRUM ASSEMBLY
3	929-10500	KIT FRAME ASSEMBLY
4	901-15400	MOTOR COVER
5	9-8017	BOLT M8 X 45
6	929-10600	KIT LEG ASSEMBLY
7	929-10700	KIT STAND ASSEMBLY
8	3-4026	PLUG LARGE
9	3-4035	PLUG SMALL
10	8-8008	NUT M8 NYLOC
11	929-10100	DRUM W.A.
12	3-1009	DRUM CLIP
13	53-0003	BEARING
14	3-0050	RIVET
15	901-99905	RING GEAR
16	3-7020	PUSH CLIP
17	901-99955	GEAR COVER
18	3-7019	PIPE CLIP
19	901-99915	INNER COVER SHEILD
20	901-99916	OUTER COVER SHEILD
21	929-99902	TUBE HANDLE
22	70-0194	SWITCH
23	7-8009	SCREW M8 X 30
24	901-99910	BRACKET MOTOR MOUNTING
25	9-12007	BOLT M12 X 80
26	901-99958	MOTOR
27	929-10000	FRAME
28	7-6028	SCREW M6 X 16
29	901-99934	RUBBER PROTECTOR
30	53-0001	BEARING
31	3-0007	ROLL PIN LONG
32	901-99907	SEAL MOTOR COVER
33	3-0039	SPIROL PIN SHORT
34	901-10800	DRIVE PINION
35	53-0002	BEARING
36	70-0195	SEAL SWITCH
37	929-10200	STAND TOP
38	929-99901	STAND LEG
39	901-99912	BELT SNAP-ON
40	92-01200	KIT BAG
41	7-0008	SCREW M4 X 19
42	901-99908	PULLEY
43	8-12006	NUT M12 NYLOC