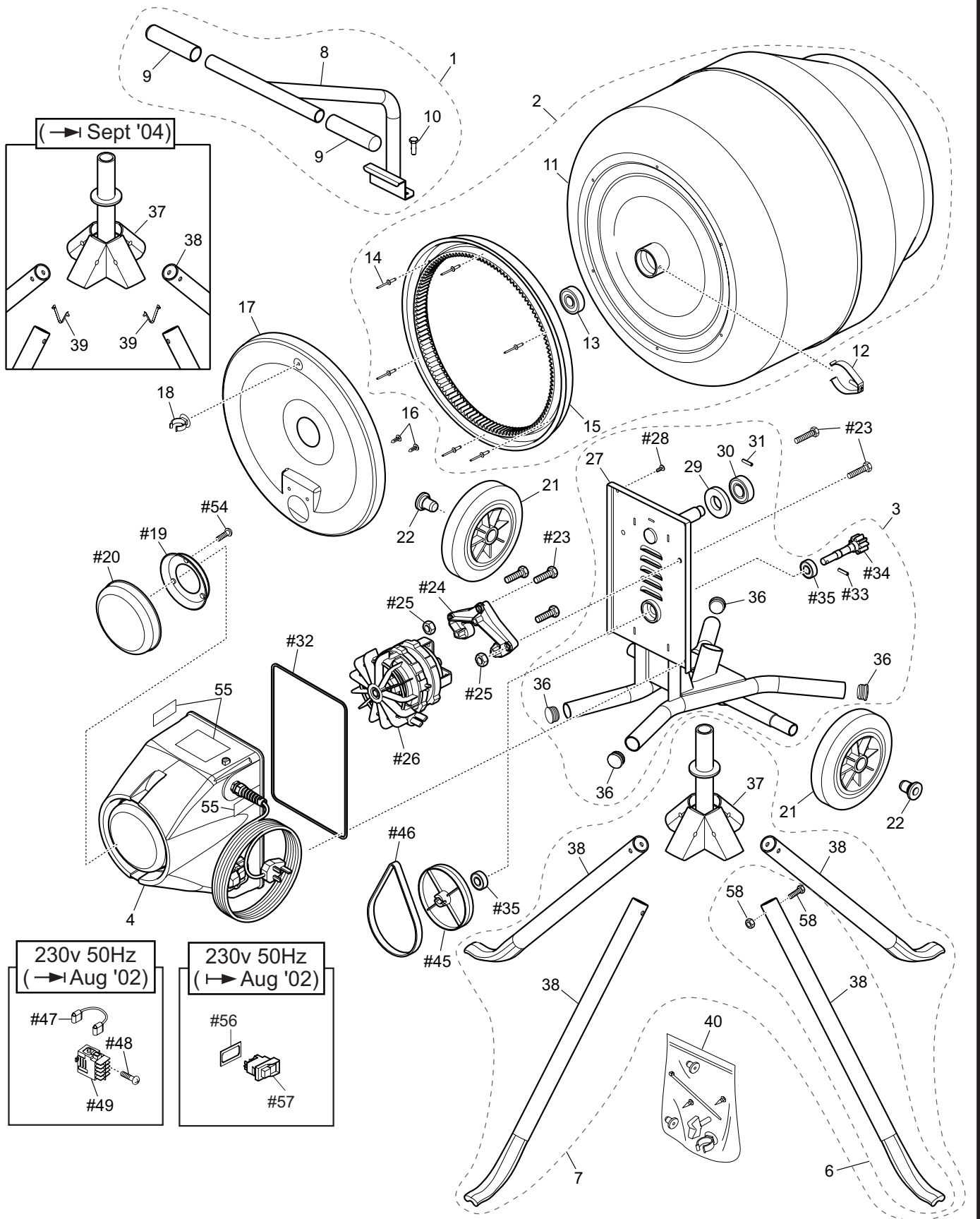




MC130 PARTS DIAGRAM (FROM MAY 2000)



⚠ CAUTION: PARTS WITH A # SHOULD ONLY BE FITTED BY A QUALIFIED ELECTRICIAN.

MC130 PARTS LIST

| ITEM NUMBER | PART NUMBER | DESCRIPTION | QUANTITY |
|-------------|--|-------------------------------------|----------|
| 1 | 901/14800 | KIT HANDLE G.A. | 1 |
| 2 | 901/14900 | KIT DRUM G.A. | 1 |
| 3 | 901/15000 | KIT MAINFRAME G.A. | 1 |
| 4 | 901/14100 | MOTOR COVER ASSY (→ AUG 2002) | 1 |
| | 901/15400 | MOTOR COVER ASSY (→ AUG 2002) | 1 |
| 6 | 901/14600 | KIT STAND LEG G.A. | 1 |
| 7 | 901/14700 | KIT STAND G.A. | 1 |
| 8 | 901/13700 | HANDLE W.A. | 1 |
| 9 | 900/99906 | HANDLE GRIP | 2 |
| 10 | 7/8053 | SET SCRE (M8 X 16) | 2 |
| 11 |  2 | DRUM W.A. | X |
| 12 | 3/1009 | DRUM CLIP | 1 |
| 13 | 53/0003 | BEARING DRUM BOSS | 1 |
| 14 | 3/0038 | RIVET (Ø4.8 X 16) | 6 |
| 15 | 901/99905 | RING GEAR | 1 |
| 16 | 3/7020 | PUSH CLIP | 2 |
| 17 | 901/99955 | GEAR COVER | 1 |
| 18 | 3/7019 | PIPE CLIP | 1 |
| #19 | 901/99915 | INNER COVER SHIELD | 1 |
| #20 | 901/99916 | OUTER COVER SHIELD | 1 |
| 21 | 60/0285 | WHEEL | 2 |
| 22 | 900/11400 | WHEEL RETAINER | 2 |
| #23 | 7/8009 | SET SCREW (M8 X 30) | 5 |
| #24 | 901/99910 | BRACKET MOTOR MOUNTING | 1 |
| #25 | 8/8008 | NYLOC NUT (M8) | 2 |
| #26 | 901/99911 | MOTOR MINI (230V-50Hz) (→ AUG 2002) | 1 |
| | 901/99958 | MOTOR MINI (230V-50Hz) (→ AUG 2002) | 1 |
| 27 | 901/13500 | MAINFRAME WA | 1 |
| #28 | 7/6028 | TAPTITE (M6 X 10) | 4 |
| 29 | 901/99934 | DRUM BOSS PROTECTOR | 1 |
| 30 | 53/0001 | BEARING MAINSHAFT | 1 |
| 31 | 3/0007 | ROLL PIN (Ø1/4" X 1 3/8") | 1 |
| #32 | 901/99907 | MOTOR COVER SEAL | 1 |
| #33 | 3/0039 | SPIROL PIN (Ø6 X 25) | 1 |
| #34 | 901/10800 | DRIVE PINION W.A. | 1 |
| #35 | 53/0002 | BEARING DRIVESHAFT | 2 |
| 36 | 3/4026 | PLUG | 4 |
| 37 | 901/13900 | PIVOT LEG SUPPORT W.A. | 1 |
| 38 | 929/99901 | STAND LEG | 4 |
| 39 |  58 | BUTTON CLIP | 4 |
| 40 | 92/00200 | KIT BAG (MC130 PARTS) | 1 |
| #45 | 901/99908 | PULLEY LARGE | 1 |
| #46 | 901/99912 | BELT SNAP-ON (230V-50Hz) | 1 |
| #47 | 71/0147 | HARNESS (NVR SWITCH) | 1 |
| #48 | 7/0009 | POZIPAN SCREW | 2 |
| #49 | 901/99921 | NVR SWITCH (230V-50 Hz) | 1 |
| #54 | 7/0008 | POZIPAN SCREW | 3 |
| 55 | 800/22000 | DECAL KIT (MC130) | 1 |
| #56 | 70/0195 | SEAL SWITCH ON/OFF (→ AUG 2002) | 1 |
| #57 | 70/0194 | SWITCH ON/OFF (→ AUG 2002) | 1 |
| 58 | 92/01300 | KIT BAG (STAND LEG FASTENERS) | 1 |