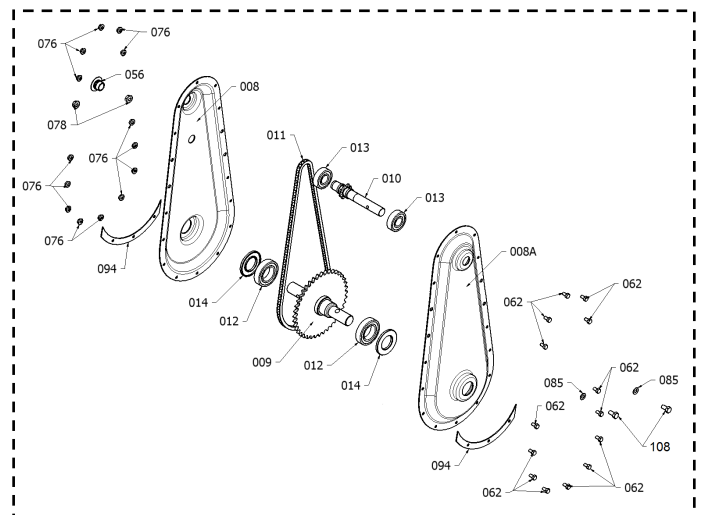
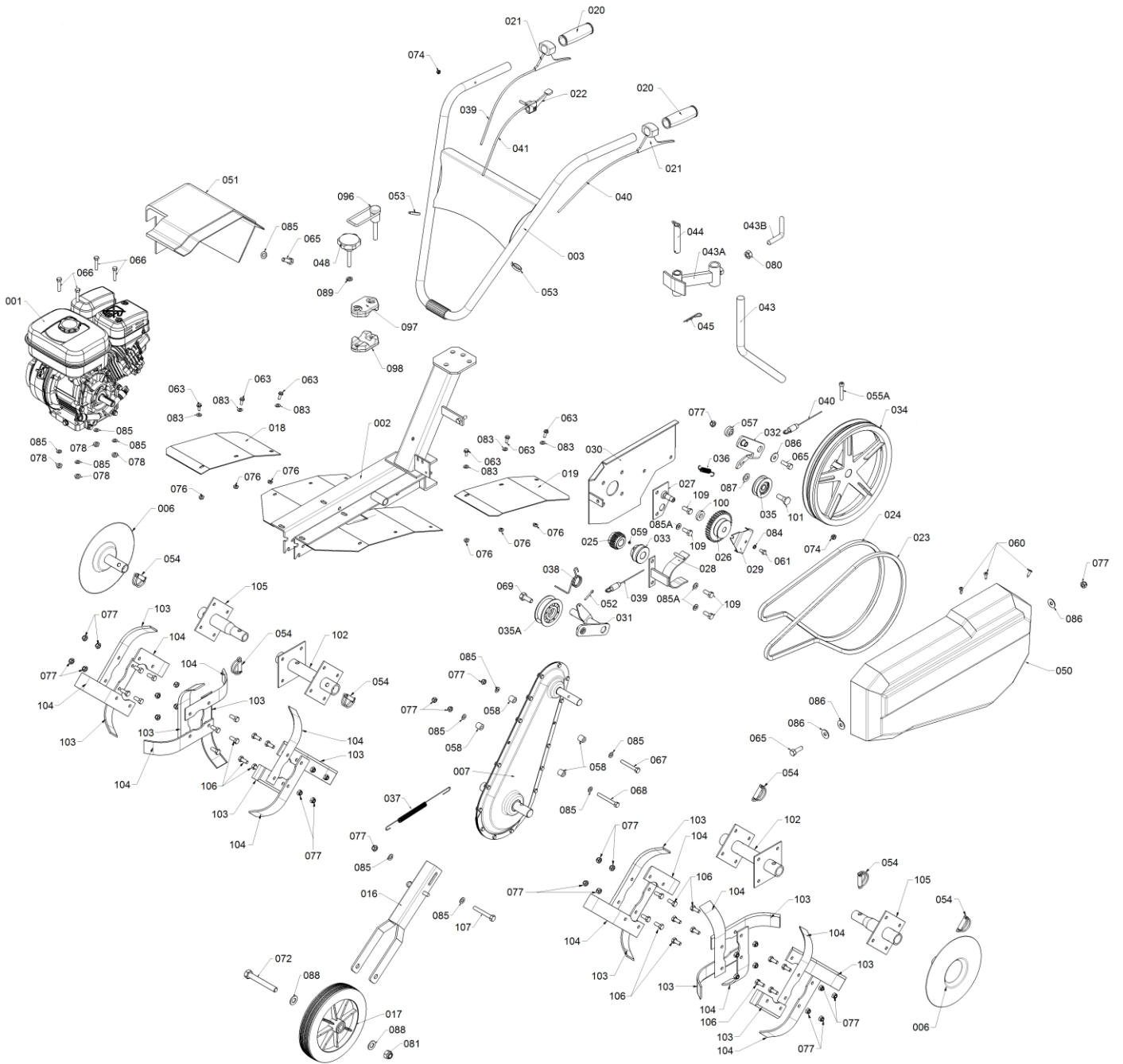


# Tiller TH 50 PRO R



<b>Engine Type</b>	Honda Serie GX160 (Air Cooled, 4 Cycle Type, OHV)
<b>Nominal Speed</b>	3600 rpm
<b>Total Displacement</b>	163 cc
<b>Fuel</b>	Unleaded Gasoline
<b>Fuel Tank Capacity</b>	3,6 L
<b>Starting System</b>	Recoil Starter
<b>Speed</b>	1 Forward Speed 1 Rear Speed
<b>Transmission</b>	Belt
<b>Standard Rotor Width</b>	900 mm
<b>Type of Rotors</b>	STD
<b>Number of Rotors</b>	6
<b>Protection Disks</b>	Yes
<b>Weight</b>	62 Kg

**• ASSEMBLER DRAWING**



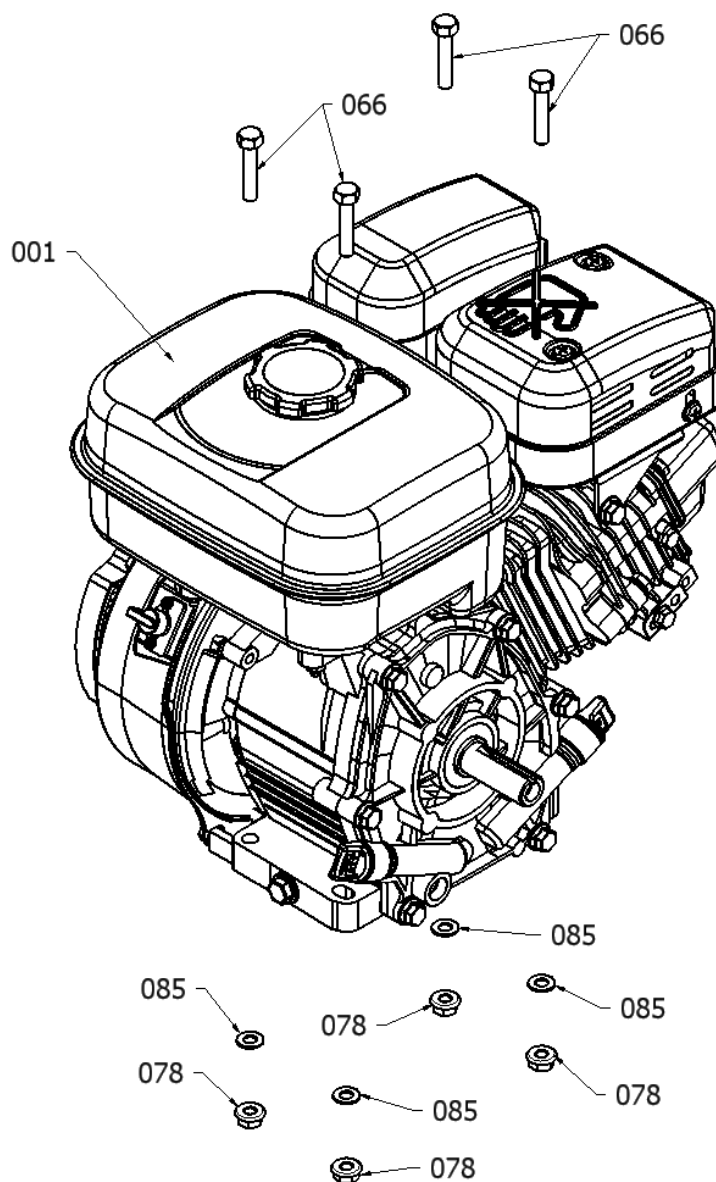
• **PART LIST COMPLETE**

N.	Reference	Description	Qty.
001	055H0 0GX 160T1	Honda Serie GX160	1
002	01854 0000 6000	Main Frame S50 PRO (AL) [Color: Orange]	1
003	01854 0000 0201	Handlebar PRO S50	1
004	50000 0000 D320	Rotors Complete STD_D (6 Rotors + 2 Protection Disks)	1
005	50000 0000 A320	Kit Side Rotors STD_D (pair)	1
006	50000 000D P320	Kit Protection Disks STD_D (pair)	1
007	01854 0000 6030	Transmission Box S50	1
008	01854 0000 5300	Transmission Box Sheet w/ hole S50	1
008A	01854 0000 5400	Transmission Box Sheet S50	1
009	01854 0000 6040	Rack Axle (2 holes) S50	1
010	01854 0000 5010	Sprocket Axle S50	1
011	01854 0000 5200	Chain S50	1
012	01854 0000 5800	Bearing Axle Gear S50	2
013	01854 0000 5700	Bearing Sprocket S50	2
014	01854 0000 5600	Transmission Box Seal	2
016	01854 0000 6050	Frontal Fork S50	1
017	01854 0000 0600	Frontal Wheel S50	1
018	01854 0000 6060	Rotor Right Cover S50	1
019	01854 0000 6070	Rotor Left Cover S50	1
020	01854 0000 8500	Rubber Grip PRO S50	2
021	01854 0000 9590	Clutch Lever S50	2
022	01854 0000 1200	Lever Throttle S50	1
023	01854 0000 6091	Forward Drive Belt S50	1
024	01804 0000 1320	Reverse Drive Belt S50	1
025	01854 0000 7440	Gear 18 Teeth S50	1
026	01854 0000 7450	Gear 36 Teeth w/ Bearing S50	1
027	01854 0000 7460	Support of Gear 36 Teeth S50	1
028	01854 0000 6141	Forward Belt Guide S50	1
029	01854 0000 7470	Reverse Belt Guide S50	1
030	01854 0000 6161	Interior Cover S50	1
031	01854 0000 6171	Forward Idler Arm S50	1
032	01854 0000 9840	Reverse Idler Arm S50	1
033	01854 0000 6190	Engine Drive Pulley S50	1
034	01854 0000 2010	Transmission Pulley S50	1
035	01854 0000 4200	Reverse Plastic Pulley S50 [Ø44]	1
035A	01854 0000 4410	Forward Plastic Pulley S50 [Ø60]	1
036	01854 0000 6201	Reverse Return Spring S50	1
037	01854 0000 6210	Fork Spring S50	1
038	01854 0000 4101	Forward Return Spring S50	1
039	01854 0000 6232	Forward Clutch Cable S50	1
040	01854 0000 6221	Reverse Clutch Cable S50	1
041	01854 0000 6245	Throttle Cable S50	1
043	01854 0000 2700	Depth Adjusting Skid S50	1
043A	01854 0000 2800	Depth Support S50	1
043B	01854 0000 2900	Depth Grip S50	1
044	01854 0000 3100	Depth Axle S50	1
045	06100 0000 5002	Pin Stand	1
048	06100 0000 2013	Plastic Grip	1

• **PART LIST COMPLETE (cont.)**

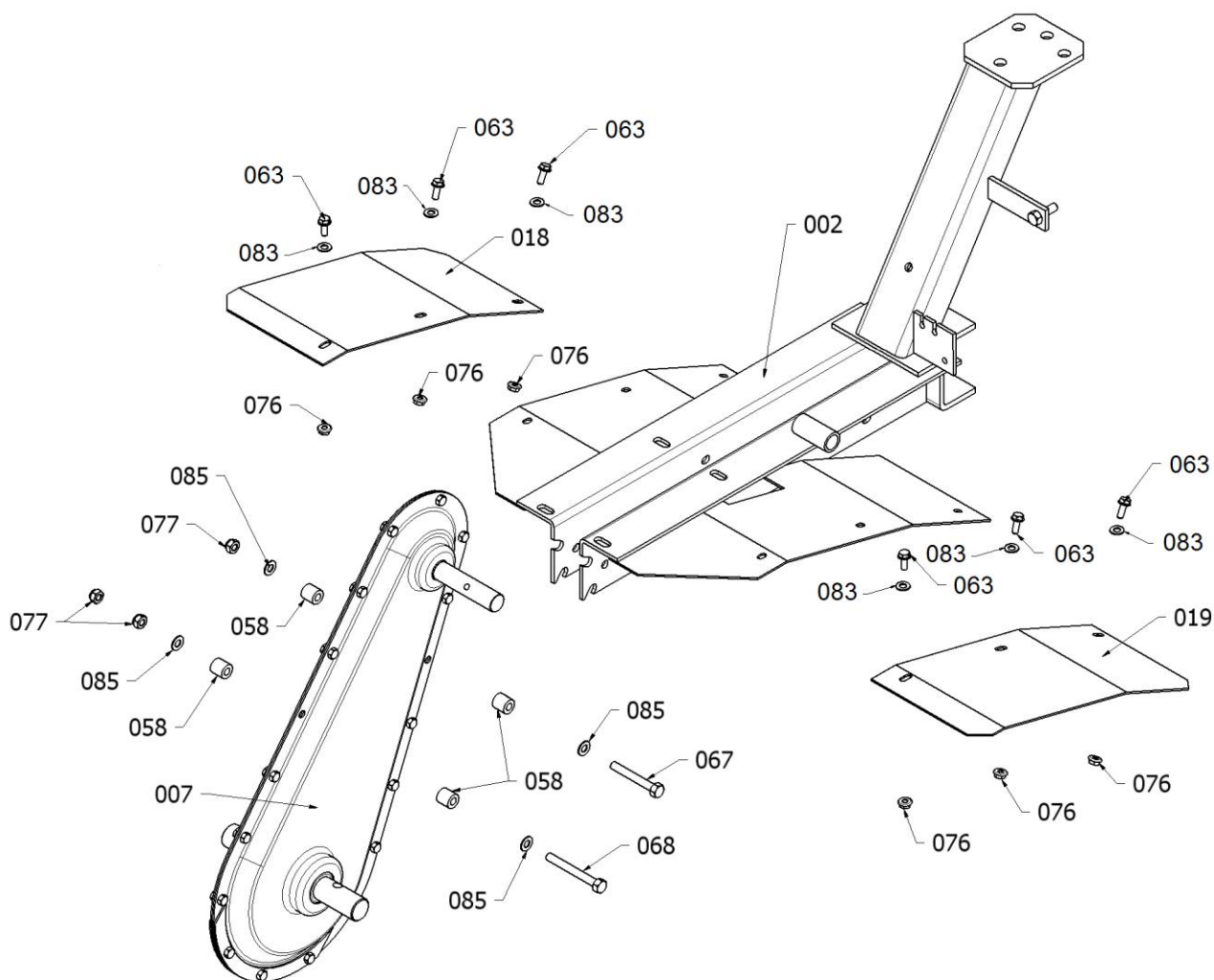
N.	Reference	Description	Qty.
050	01854 0004 801L	Side Plastic Cover S50 [Color: Orange]	1
051	01854 0004 901L	Back Plastic Cover S50 [Color: Orange]	1
052	06100 0000 6001	Split Pin	1
053	06100 0000 7002	Plastic Band	2
054	06100 0000 5006	Pin Rotors S50	6
055A	06100 0000 2056	Bolt (Transmission Pulley)	1
056	01854 0000 5900	Rubber Rivet	1
057	01854 0000 6321	Reverse Idler Arm Spacer S50	1
058	01854 0000 6330	Transmission Box Spacer	4
059	06100 0000 4001	Bolt BTR Zn	1
060	06100 0000 2084	Cover Screw	3
061	06100 0000 2027	Bolt H Zn (Reverse Belt Guide)	1
062	06100 0000 2021	Bolt H Zn (Transmission Box)	14
063	06100 0000 2027	Bolt H RT Zn (Rotor Cover)	6
065	06100 0000 2052	Bolt H Zn	3
066	06100 0000 2042	Bolt H RT Zn	4
067	06100 0000 2043	Bolt H Zn (Transmission Box)	1
068	06100 0000 2044	Bolt H Zn (Transmission Box)	1
069	06100 0000 2030	Bolt H Zn (Forward Plastic Pulley S50)	1
072	06100 0000 2088	Bolt H RT Zn (Frontal Wheel)	1
074	06100 0000 3004	Nyloc Nut H Zn	2
076	06100 0000 3001	Flange Nut Zn (Transmission Box/Rotor Cover)	20
077	06100 0000 3006	Nyloc Nut H Zn	30
078	06100 0000 3002	Flange Nut Zn (Transmission Box/Engine)	6
080	06100 0000 3013	Nut H Zn	1
081	06100 0000 3003	Nyloc Nut H Zn	1
083	06100 0000 1009	Washer Zn (Rotor Cover)	6
084	06100 0000 1012	Spring Lock Washer Zn	1
085	06100 0000 1004	Washer Zn	13
085A	06100 0000 1013	Spring Lock Washer Zn	3
086	06100 0000 1003	Large Washer Zn	4
087	06100 0000 1005	Washer Zn	1
088	06100 0000 1006	Washer Zn	2
089	06100 0000 1010	Spring Lock Washer Zn	1
094	01854 0000 7400	Transmission Box Protection	2
096	06100 0000 2099	Fixing Device	1
097	01854 0000 1450	Clamp Top	1
098	01854 0000 2450	Clamp Base	1
100	01854 0000 3450	Gear 36 Teeth Spacer	1
101	01854 0000 6495	Bolt (Reverse Plastic Pulley S50)	1
102	01854 0000 8100	Main Rotor Shaft S50	2
103	50000 0FAT 0148	Right Curved Blade S50	12
104	50000 0FAT 0149	Left Curved Blade S50	12
105	01854 0000 8200	Rotor Secondary Shaft S50	2
106	06100 0000 2037	Bolt H Zn (Blade)	24
107	06100 0000 2038	Bolt H Zn (Frontal Fork)	1
108	06100 0000 2036	Bolt H Zn (Transmission Box)	2
109	06100 0000 2131	Bolt H UNF Zn (Support of Gear 36 Teeth)	4

• ENGINE ASSEMBLY



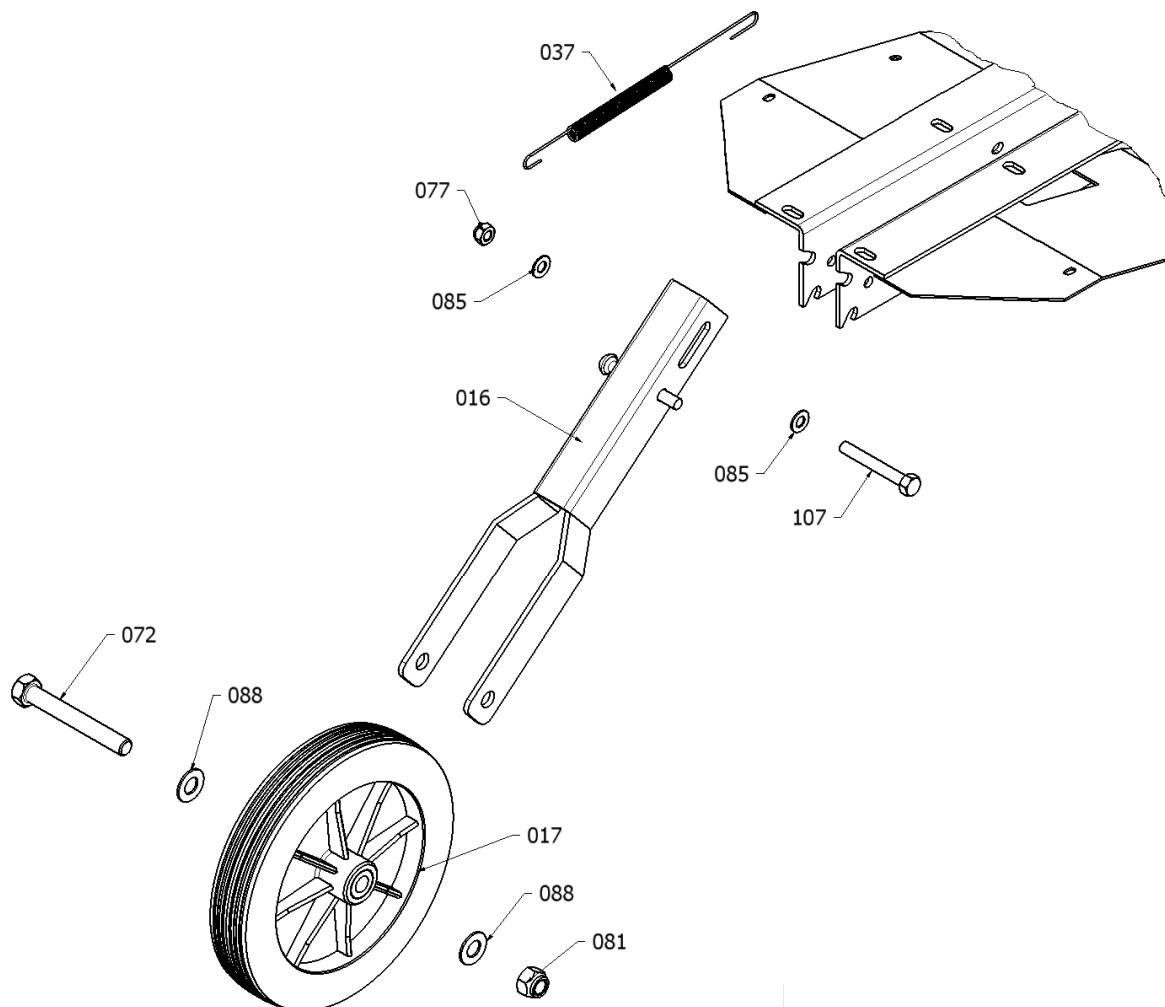
N.	Reference	Description	Qty.
001	055H0 0GX 160T1	Honda Serie GX160	1
066	06100 0000 2042	Bolt H RT Zn	4
078	06100 0000 3002	Flange Nut Zn	4
085	06100 0000 1004	Washer Zn	4

• **MAIN FRAME ASSEMBLY**



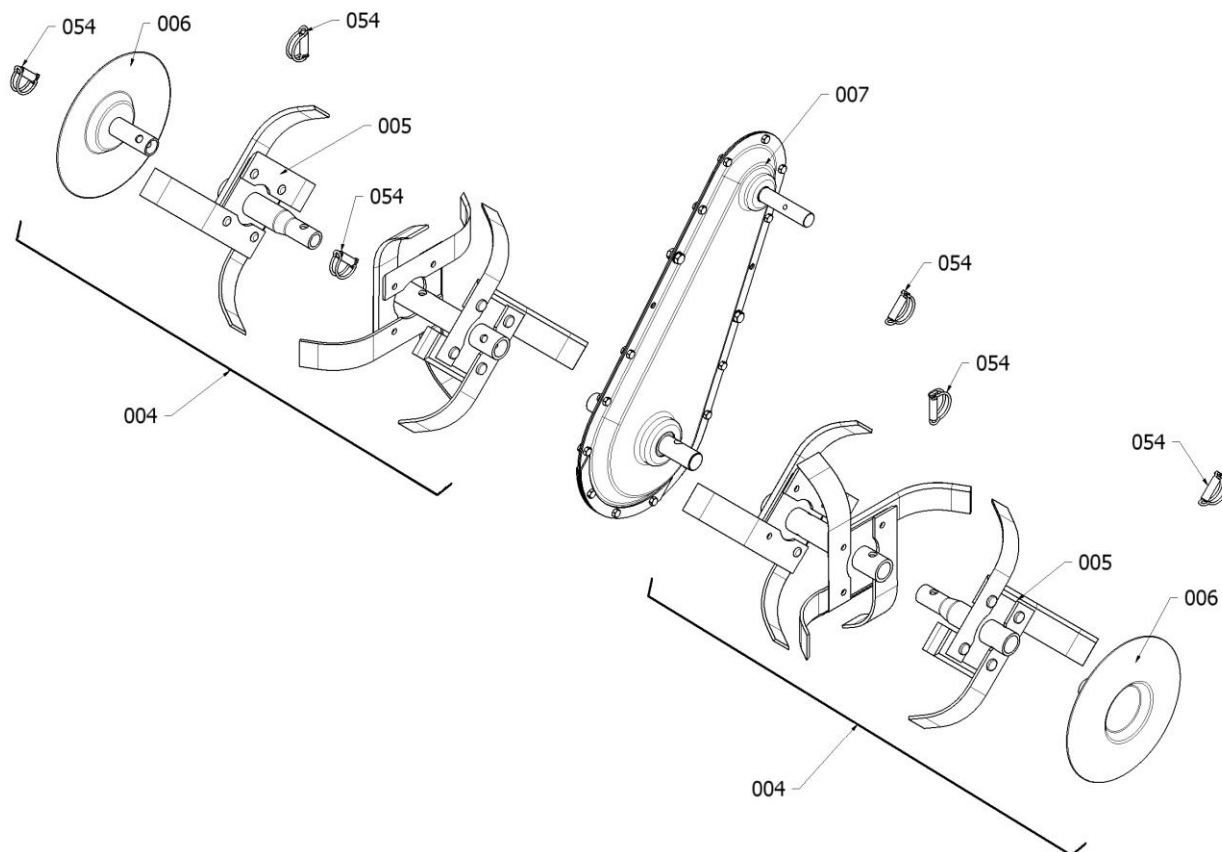
N.	Reference	Description	Qty.
002	01854 0000 6000	Main Frame S50 PRO (AL) [Color: Orange]	1
007	01854 0000 6030	Transmission Box S50	1
018	01854 0000 6060	Rotor Right Cover S50	1
019	01854 0000 6070	Rotor Left Cover S50	1
058	01854 0000 6330	Transmission Box Spacer	4
063	06100 0000 2027	Bolt H RT Zn (Rotor Cover)	6
067	06100 0000 2043	Bolt H Zn (Transmission Box)	1
068	06100 0000 2044	Bolt H Zn (Transmission Box)	1
076	06100 0000 3001	Flange Nut Zn (Rotor Cover)	6
077	06100 0000 3006	Nyloc Nut H Zn	3
083	06100 0000 1009	Washer Zn (Rotor Cover)	6
085	06100 0000 1004	Washer Zn	4

• **FRONTAL WHEEL ASSEMBLY**



N.	Reference	Description	Qty.
016	01854 0000 6050	Frontal Fork S50	1
017	01854 0000 0600	Frontal Wheel S50	1
037	01854 0000 6210	Fork Spring S50	1
072	06100 0000 2088	Bolt H RT Zn (Frontal Wheel)	1
077	06100 0000 3006	Nyloc Nut H Zn	1
081	06100 0000 3003	Nyloc Nut H Zn	1
085	06100 0000 1004	Washer Zn	2
088	06100 0000 1006	Washer Zn	2
107	06100 0000 2038	Bolt H Zn (Frontal Fork)	1

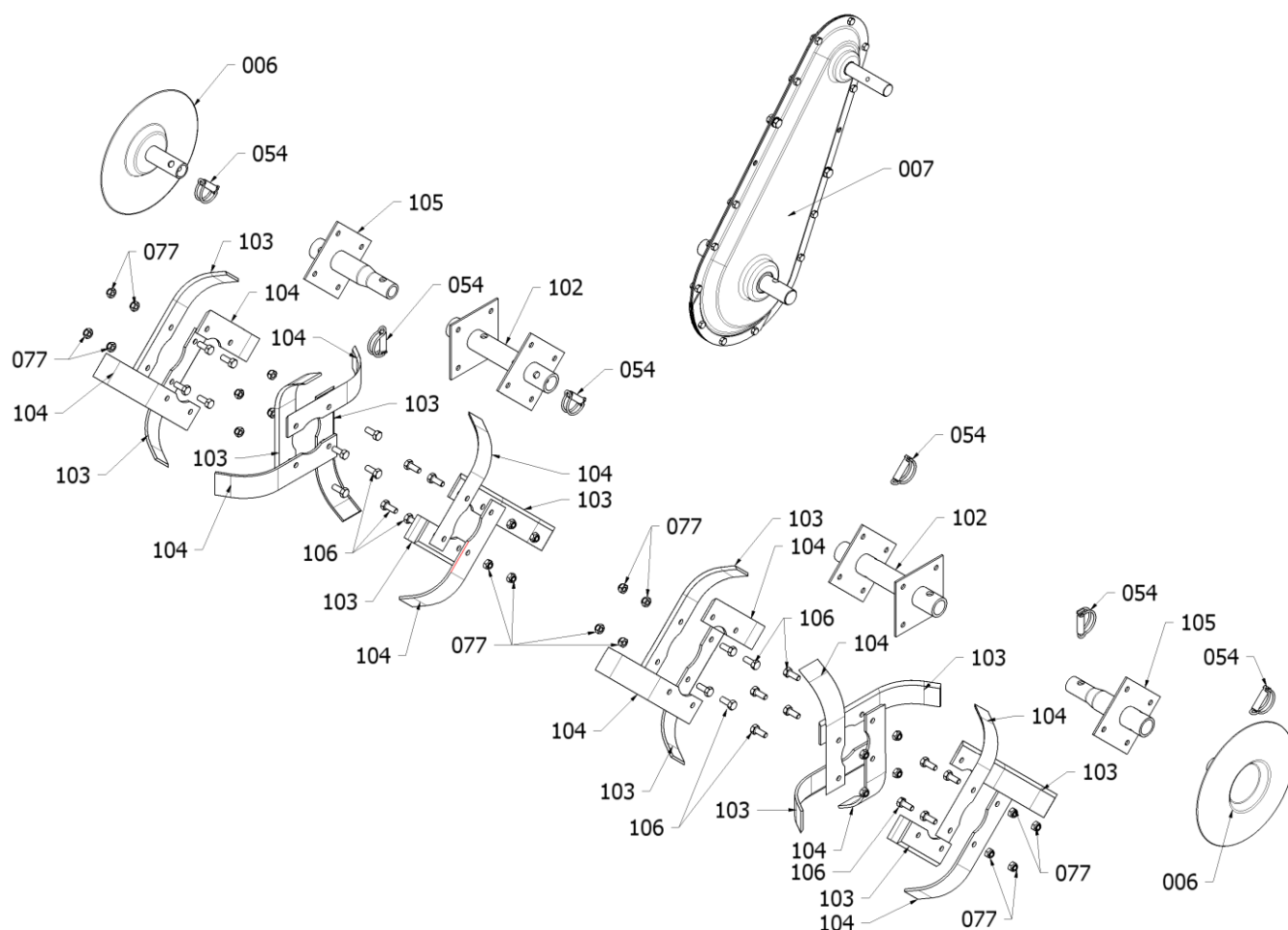
• **ROTORS ASSEMBLY**



N.	Reference	Description	Qty.
004	50000 0000 D320	Rotors Complete STD_D (6 Rotors + 2 Protection Disks)	1
005	50000 0000 A320	Kit Side Rotors STD_D (pair)	1
006	50000 000D P320	Kit Protection Disks STD_D (pair)	1
007	01854 0000 6030	Transmission Box S50	1
054	06100 0000 5006	Pin Rotors S50	6

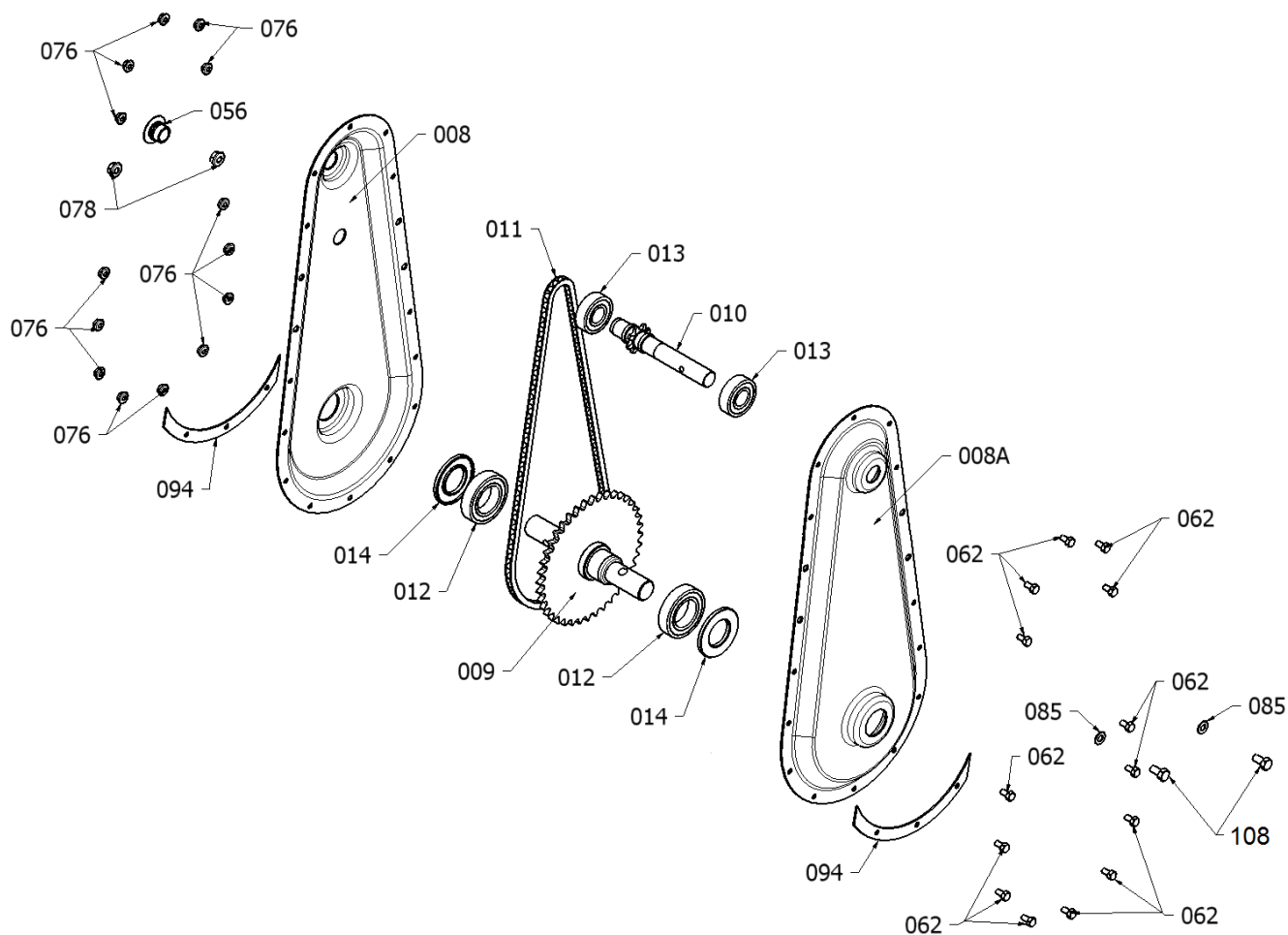


• **ROTORS ASSEMBLY (cont.)**



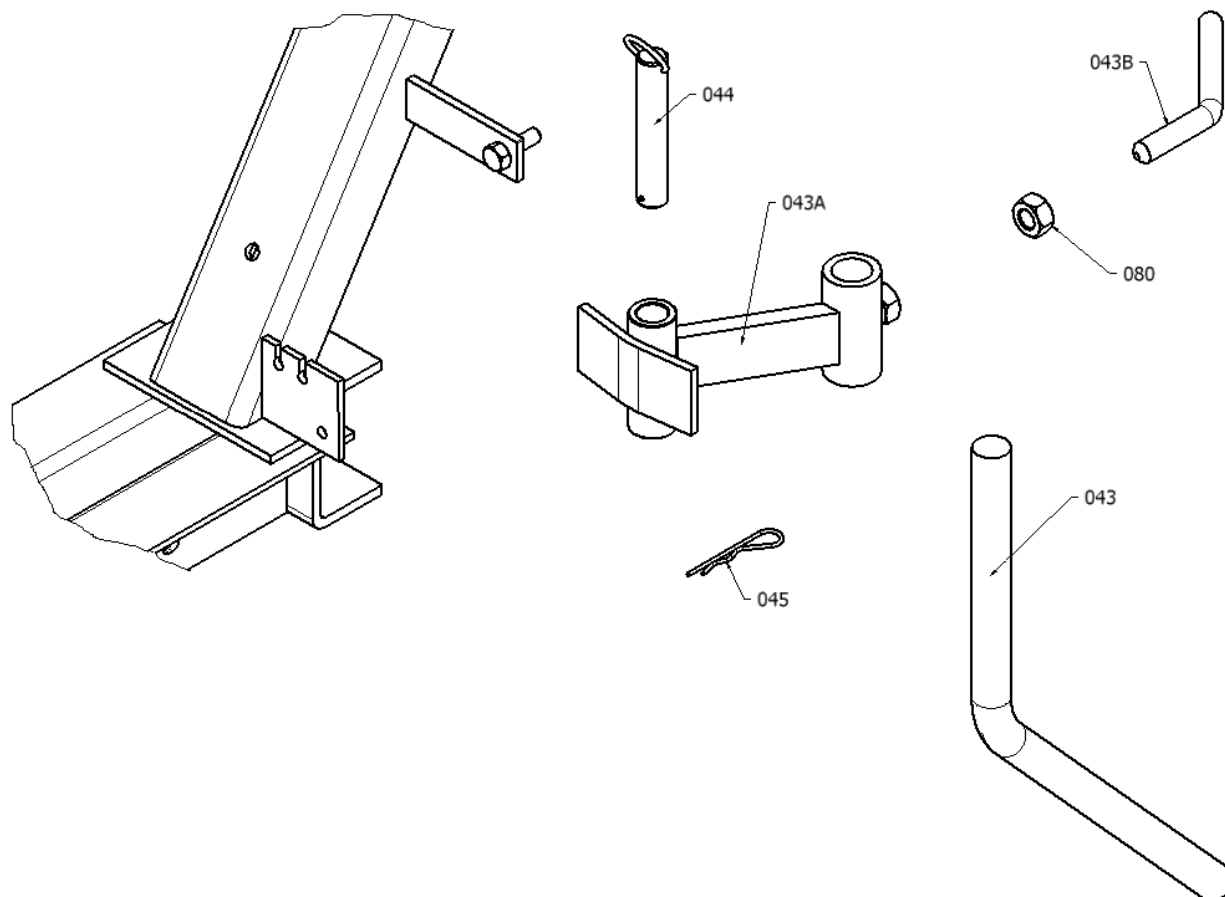
N.	Reference	Description	Qty.
006	50000 000D P320	Kit Protection Disks STD_D (pair)	1
007	01854 0000 6030	Transmission Box S50	1
054	06100 0000 5006	Pin Rotors S50	6
077	06100 0000 3006	Nyloc Nut H Zn	24
102	01854 0000 8100	Main Rotor Shaft S50	2
103	50000 0FAT 0148	Right Curved Blade S50	12
104	50000 0FAT 0149	Left Curved Blade S50	12
105	01854 0000 8200	Rotor Secondary Shaft S50	2
106	06100 0000 2037	Bolt H Zn (Blade)	24

• **TRANSMISSION BOX ASSEMBLY**



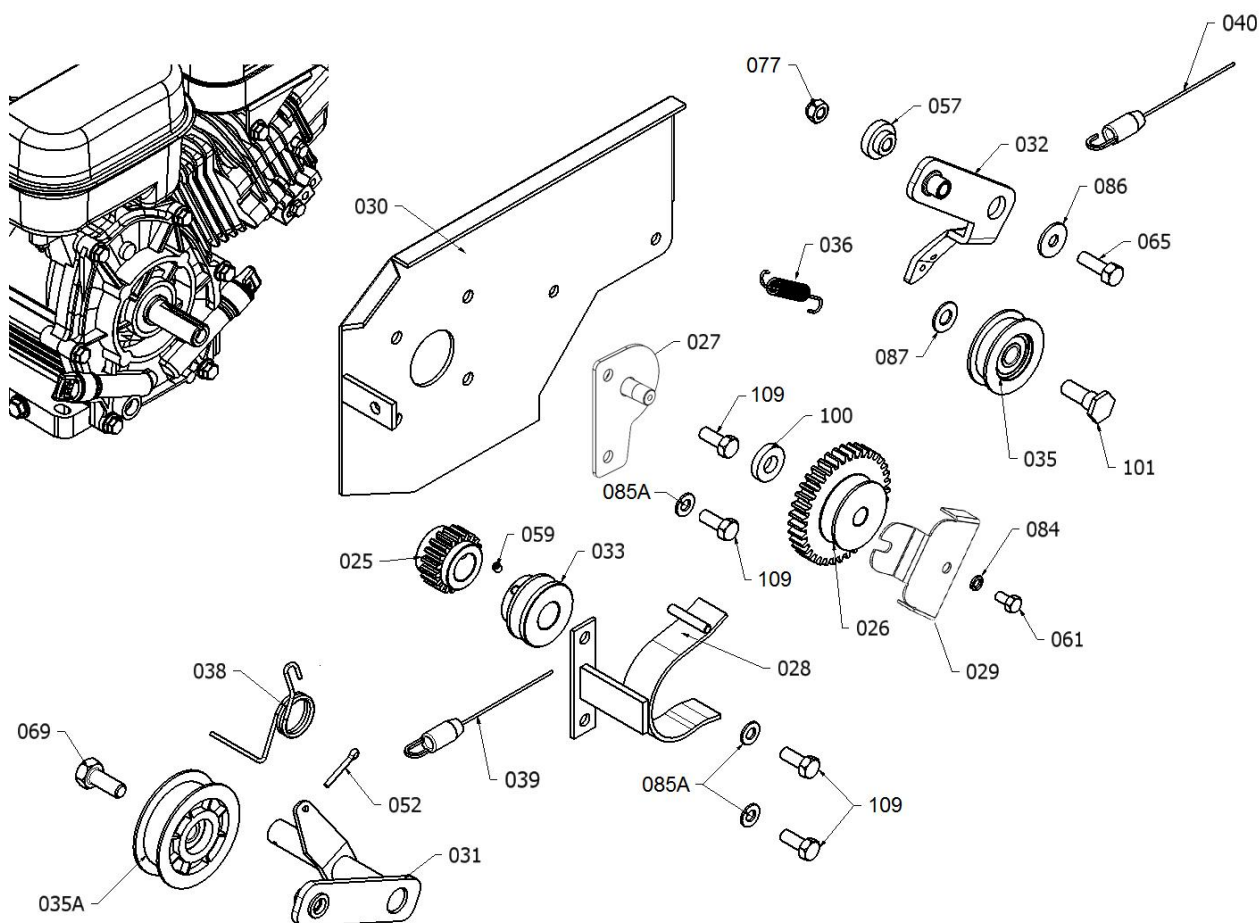
N.	Reference	Description	Qty.
008	01854 0000 5300	Transmission Box Sheet w/ hole S50	1
008A	01854 0000 5400	Transmission Box Sheet S50	1
009	01854 0000 6040	Rack Axle (2 holes) S50	1
010	01854 0000 5010	Sprocket Axle S50	1
011	01854 0000 5200	Chain S50	1
012	01854 0000 5800	Bearing Axle Gear S50	2
013	01854 0000 5700	Bearing Sprocket S50	2
014	01854 0000 5600	Transmission Box Seal	2
056	01854 0000 5900	Rubber Rivet	1
062	06100 0000 2021	Bolt H Zn (Transmission Box)	14
076	06100 0000 3001	Flange Nut Zn (Transmission Box)	14
078	06100 0000 3002	Flange Nut Zn (Transmission Box)	2
085	06100 0000 1004	Washer Zn	2
094	01854 0000 7400	Transmission Box Protection	2
108	06100 0000 2036	Bolt H Zn (Transmission Box)	2

• **DEPTH SKID ASSEMBLY**



N.	Reference	Description	Qty.
043	01854 0000 2700	Depth Adjusting Skid S50	1
043A	01854 0000 2800	Depth Support S50	1
043B	01854 0000 2900	Depth Grip S50	1
044	01854 0000 3100	Depth Axle S50	1
045	06100 0000 5002	Pin Stand	1
080	06100 0000 3013	Nut H Zn	1

• **TRANSMISSION SYSTEM ASSEMBLY**



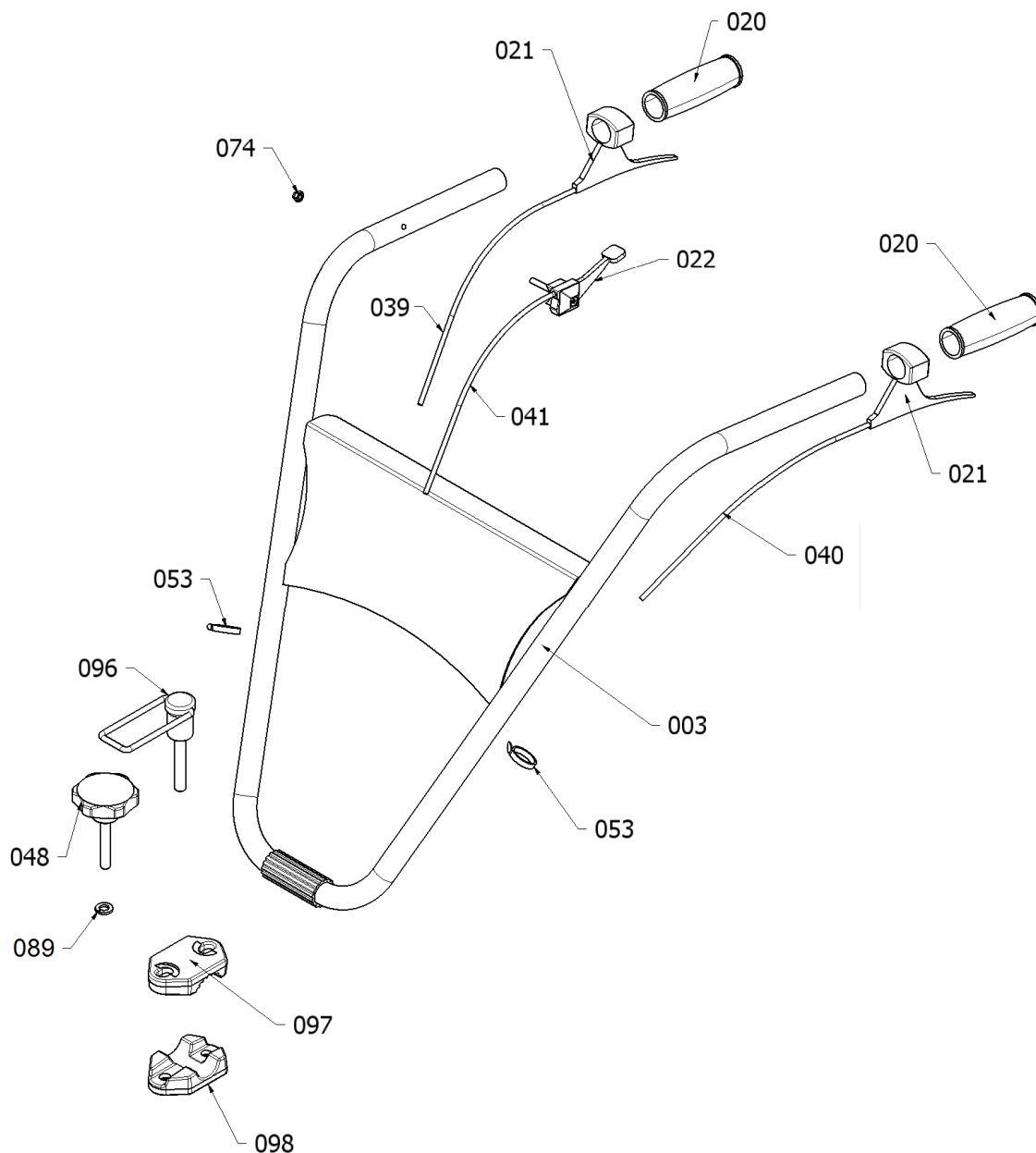
N.	Reference	Description	Qty.
025	01854 0000 7440	Gear 18 Teeth S50	1
026	01854 0000 7450	Gear 36 Teeth w/ Bearing S50	1
027	01854 0000 7460	Support of Gear 36 Teeth S50	1
028	01854 0000 6141	Forward Belt Guide S50	1
029	01854 0000 7470	Reverse Belt Guide S50	1
030	01854 0000 6161	Interior Cover S50	1
031	01854 0000 6171	Forward Idler Arm S50	1
032	01854 0000 9840	Reverse Idler Arm S50	1
033	01854 0000 6190	Engine Drive Pulley S50	1
035	01854 0000 4200	Reverse Plastic Pulley S50 [Ø44]	1
035A	01854 0000 4410	Forward Plastic Pulley S50 [Ø60]	1
036	01854 0000 6201	Reverse Return Spring S50	1
038	01854 0000 4101	Forward Return Spring S50	1
039	01854 0000 6232	Forward Clutch Cable S50	1
040	01854 0000 6221	Reverse Clutch Cable S50	1
052	06100 0000 6001	Split Pin	1
057	01854 0000 6321	Reverse Idler Arm Spacer S50	1
059	06100 0000 4001	Bolt BTR Zn	1

---

- **TRANSMISSION SYSTEM ASSEMBLY (cont.)**

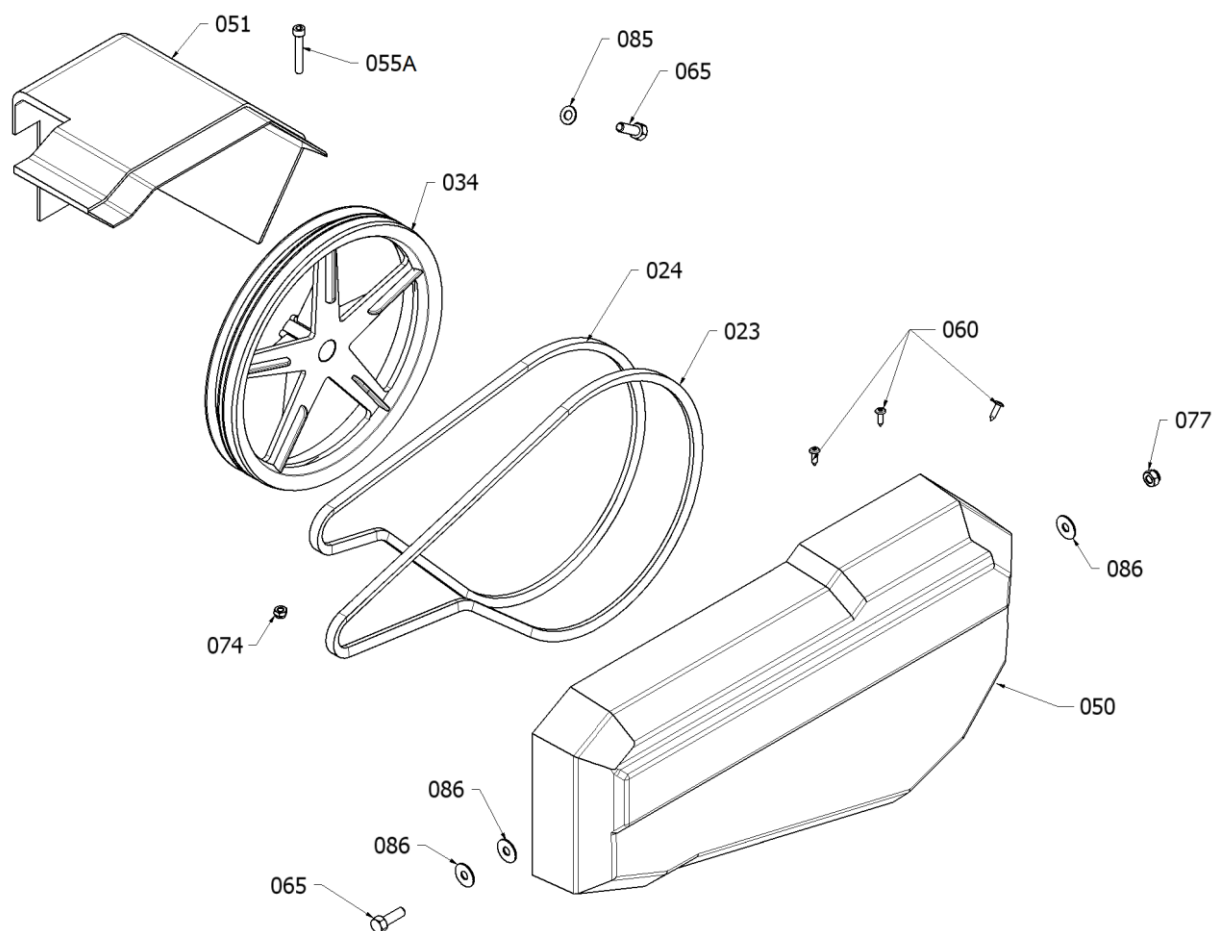
<b>N.</b>	<b>Reference</b>	<b>Description</b>	<b>Qty.</b>
061	06100 0000 2027	Bolt H Zn (Reverse Belt Guide)	1
065	06100 0000 2052	Bolt H Zn (Reverse Idler Arm)	1
069	06100 0000 2030	Bolt H Zn (Forward Plastic Pulley S50)	1
077	06100 0000 3006	Nyloc Nut H Zn	1
084	06100 0000 1012	Spring Lock Washer Zn	1
085A	06100 0000 1013	Spring Lock Washer Zn	3
086	06100 0000 1003	Large Washer Zn	1
087	06100 0000 1005	Washer Zn	1
100	01854 0000 3450	Gear 36 Teeth Spacer	1
101	01854 0000 6495	Bolt (Reverse Plastic Pulley S50)	1
109	06100 0000 2131	Bolt H UNF Zn (Support of Gear 36 Teeth)	4

• **HANDLEBAR ASSEMBLY**



N.	Reference	Description	Qty.
003	01854 0000 0201	Handlebar PRO S50	1
020	01854 0000 8500	Rubber Grip PRO S50	2
021	01854 0000 9590	Clutch Lever S50	2
022	01854 0000 1200	Lever Throttle S50	1
039	01854 0000 6232	Forward Clutch Cable S50	1
040	01854 0000 6221	Reverse Clutch Cable S50	1
041	01854 0000 6245	Throttle Cable S50	1
048	06100 0000 2013	Plastic Grip	1
053	06100 0000 7002	Plastic Band	2
074	06100 0000 3004	Nyloc Nut H Zn	1
089	06100 0000 1010	Spring Lock Washer Zn	1
096	06100 0000 2099	Fixing Device	1
097	01854 0000 1450	Clamp Top	1
098	01854 0000 2450	Clamp Base	1

• **BELT COVERS ASSEMBLY**



N.	Reference	Description	Qty.
023	01854 0000 6091	Forward Drive Belt S50	1
024	01804 0000 1320	Reverse Drive Belt S50	1
034	01854 0000 2010	Transmission Pulley S50	1
050	01854 0004 801L	Side Plastic Cover S50 [Color: Orange]	1
051	01854 0004 901L	Back Plastic Cover S50 [Color: Orange]	1
055A	06100 0000 2056	Bolt (Transmission Pulley)	1
060	06100 0000 2084	Cover Screw	3
065	06100 0000 2052	Bolt H Zn	2
074	06100 0000 3004	Nyloc Nut H Zn	1
077	06100 0000 3006	Nyloc Nut H Zn	1
085	06100 0000 1004	Washer Zn	1
086	06100 0000 1003	Large Washer Zn	3