



Parts
CENTRE

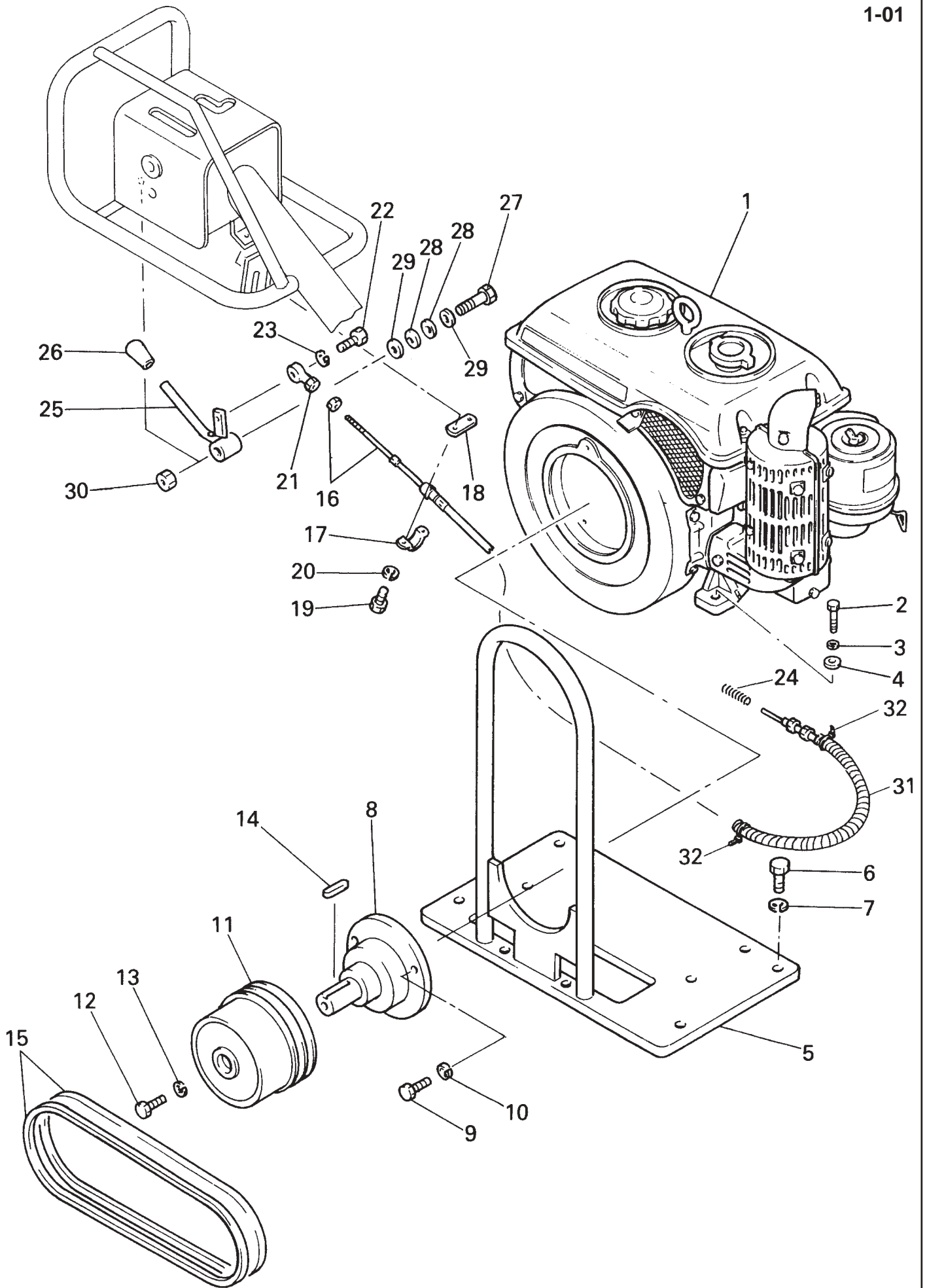


**DOUBLE DRUM ROLLER
PARTS CATALOGUE**

854/10181/4

Belle Group Parts Centre
Unit 5, Bode Business Park, Ball Haye Green,
Leek, Staffordshire, ST13 8BW
Tel: +44 (0)1538 380000 Fax: +44 (0)1538 380038
e-mail: spares@belle-group.co.uk
<http://www.bellegroup.com>

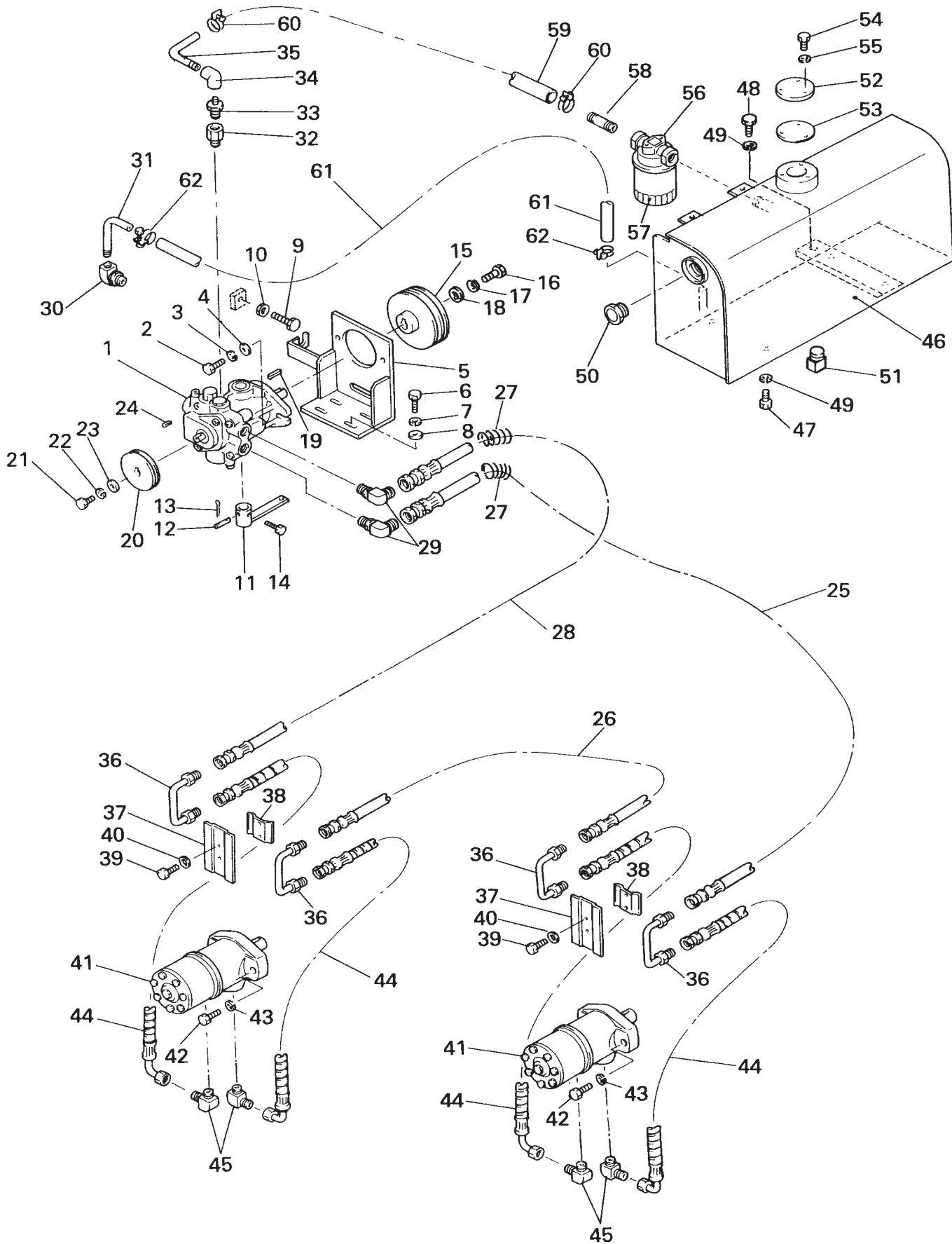
05/05



(CORRECT AT 05/05)

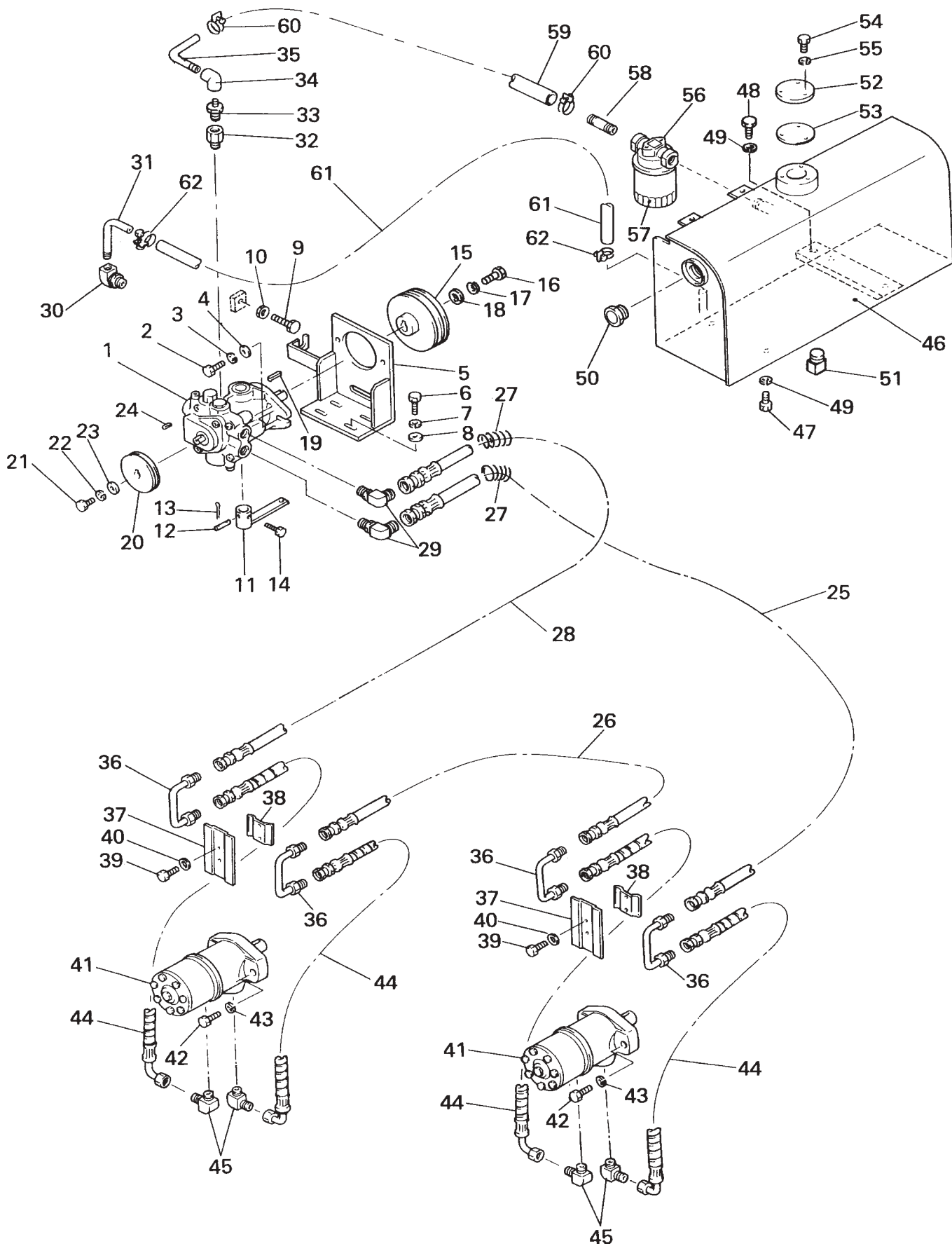
Ref. Part No. No.	Description	Désignation	Descripción	Qty			
				650	750		
1	20-0048	Engine	Moteur	Motor	Kubota E75NB3	1	-
1	20-0049	Engine	Moteur	Motor	Kubota E75N	-	1
2	9-10004	Bolt	Boulon	Perno	M10x35	4	4
3	4-1003	Washer	Rondelle	Arandela	M10	4	4
4	4-1001	Washer	Rondelle	Arandela	M10	4	4
5	919-99901	Base	Embase	Base		1	1
6	9-10004	Bolt	Boulon	Perno	M10x35	6	6
7	4-1003	Washer	Rondelle	Arandela	M10	6	6
8	21-0146	Shaft	Axe	Eje		1	1
9	9-10004	Bolt	Boulon	Perno	M10x35	3	3
10	4-1003	Washer	Rondelle	Arandela	M10	3	3
11	21-0147	Clutch	Embrayage	Embrague		1	1
12	9-10001	Bolt	Boulon	Perno	M10x30	1	1
13	4-1003	Washer	Rondelle	Arandela	M10	1	1
14	919-99902	Key	Clavette	Clave	7x6x37	1	1
15	21-0148	Belt	Courroie	Correa	3V-315	2	2
16	919-99903	Throttle Wire	Câble d'accélérateur	Cable del acelerador		1	1
17	919-99904	Clamp	Collier	Abrazadera		1	1
18	919-99905	Shim	Cale	Cuña		1	1
19	9-5003	Bolt	Boulon	Perno	M5x10	2	2
20	4-5003	Washer	Rondelle	Arandela	M5	2	2
21	3-5040	Rod End	Tête de bielle	Cabeza de biela		1	1
22	9-5006	Bolt	Boulon	Perno	M5x16	1	1
23	4-5003	Washer	Rondelle	Arandela	M5	1	1
24	2-0043	Spring	Ressort	Muelle		1	1
25	74-0003	Throttle Lever	Manette d'accélérateur	Palanca de aceleración.		1	1
26	74-0004	Cap	Chapeau	Tape		1	1
27	9-10007	Bolt	Boulon	Perno	M10x50	1	1
28	4-6012	Washer	Rondelle	Arandela		2	2
29	4-1001	Washer	Rondelle	Arandela	M10	2	2
30	8-10001	Nut	Ecrou	Tuerca	M10	1	1
31	919-99906	Tube	Tube	Tubo		1	1
32	919-99907	Cable Tie	Serre-câble	Unión cable		2	2

Ref. Part No. No.	Description	Descrição	Omschrijving	Qty			
				650	750		
1	20-0048	Engine	Motor	Kubota E75NB3	1	-	
1	20-0049	Engine	Motor	Kubota E75N	-	1	
2	9-10004	Bolt	Perno	Bout	M10x35	4	4
3	4-1003	Washer	Anilha	Afdichtring	M10	4	4
4	4-1001	Washer	Anilha	Afdichtring	M10	4	4
5	919-99901	Base	Plaat	Vloerplaat		1	1
6	9-10004	Bolt	Perno	Bout	M10x35	6	6
7	4-1003	Washer	Anilha	Afdichtring	M10	6	6
8	21-0146	Shaft	Veio	A s		1	1
9	9-10004	Bolt	Perno	Bout	M10x35	3	3
10	4-1003	Washer	Anilha	Afdichtring	M10	3	3
11	21-0147	Clutch	Koppeling	Embraagem		1	1
12	9-10001	Bolt	Perno	Bout	M10x30	1	1
13	4-1003	Washer	Anilha	Afdichtring	M10	1	1
14	919-99902	Key	Chave	Spie	7x6x37	1	1
15	21-0148	Belt	Cinta	Reim	3V-315	2	2
16	919-99903	Throttle Wire	Cabo do estrangulador	Gaskabel		1	1
17	919-99904	Clamp	Klem	Punho		1	1
18	919-99905	Shim	Calço	Afstandsring		1	1
19	9-5003	Bolt	Perno	Bout	M5x10	2	2
20	4-5003	Washer	Anilha	Afdichtring	M5	2	2
21	3-5040	Rod End	Tampa da Hasta	Einde Staaf		1	1
22	9-5006	Bolt	Perno	Bout	M5x16	1	1
23	4-5003	Washer	Anilha	Afdichtring	M5	1	1
24	2-0043	Spring	Mola	Veer		1	1
25	74-0003	Throttle Lever	Alavanca do estrangulador	Gashendel		1	1
26	74-0004	Cap	Tampa	Kap		1	1
27	9-10007	Bolt	Perno	Bout	M10x50	1	1
28	4-6012	Washer	Anilha	Afdichtring		2	2
29	4-1001	Washer	Anilha	Afdichtring	M10	2	2
30	8-10001	Nut	Porca	Moer	M10	1	1
31	919-99906	Tube	Tubo	Buis		1	1
32	919-99907	Cable Tie	Tirante de Cabo	Kabelgat		2	2

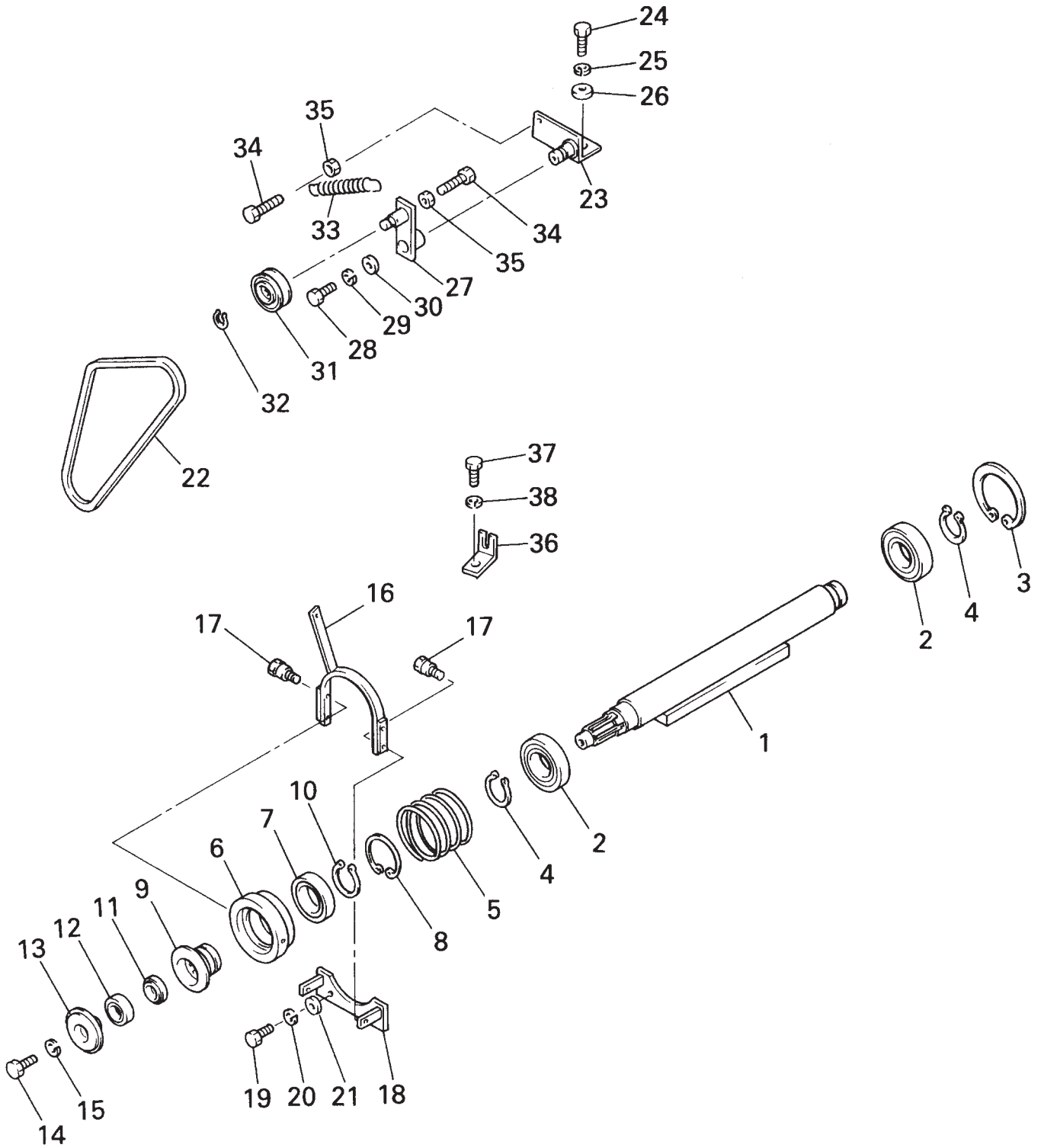


(CORRECT AT 05/05)

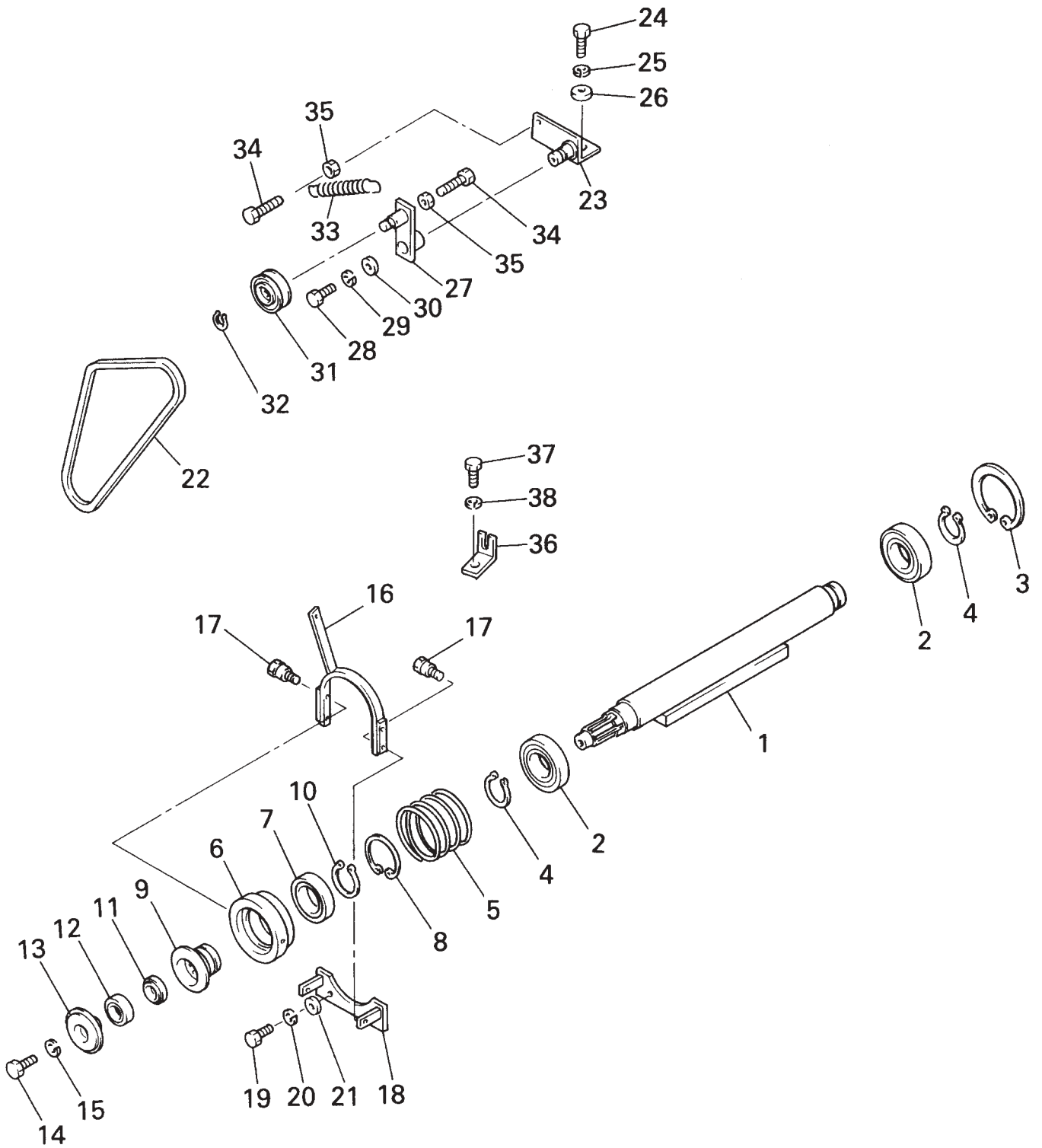
Ref. Part	Description	Désignation	Descripción	Qty			
No. No.				650	750		
1	6-1141	Pump	Pompe	Bombas	DAIKIN PV10-619	1	1
2	9-10001	Bolt	Boulon	Perno	M10x30	2	2
3	4-1003	Washer	Rondelle	Arandela	M10	2	2
4	4-1010	Washer	Rondelle	Arandela	25x10.5x3.2	2	2
5	919-99974	Bracket	Sopport Fixation	Soporte		1	1
6	9-10001	Bolt	Boulon	Perno	M10x30	4	4
7	4-1003	Washer	Rondelle	Arandela	M10	4	4
8	4-1010	Washer	Rondelle	Arandela	25x10.5x3.2	4	4
9	9-10004	Bolt	Boulon	Perno	M10x35	1	1
10	8-10001	Nut	Ecrou	Tuerca	M10	1	1
11	919-99975	Lever	Levier	Palanca		1	1
12	3-0056	Pin	Goupille	Pasador		1	1
13	3-0057	Pin	Goupille	Pasador		2	2
14	9-8033	Bolt	Boulon	Perno	M8x16	1	1
15	919-99976	Pulley (A)	Poulie	Polea		1	1
16	9-6017	Bolt	Boulon	Perno	M6x20	1	1
17	4-6005	Washer	Rondelle	Arandela	M6	1	1
18	4-6013	Washer	Rondelle	Arandela	35x6.5x4.5	1	1
19	919-99977	Key	Clavette	Clave	5x5x27	1	1
20	919-99978	Pulley (B)	Poulie	Polea		1	1
21	9-6016	Bolt	Boulon	Perno	M6x16	1	1
22	4-6005	Washer	Rondelle	Arandela	M6	1	1
23	4-6013	Washer	Rondelle	Arandela	35x6.5x4.5	1	1
24	919-99988	Key	Clavette	Clave		1	1
25	31-0124	Hose (A)	Durit	Flexible		1	1
26	31-0125	Hose (B)	Durit	Flexible		1	1
27	919-99991	Cover	Couvert	Cubierta		1	1
28	31-0126	Hose (C)	Durit	Flexible		1	1
29	6-0205	Elbow	Coude	Codo	PF3/8xPF3/8	2	2
30	6-0206	Elbow	Coude	Codo	PF3/8xPT1/4	1	1
31	6-0207	Pipe	Canalisation	Tubo		1	1
32	919-99990	Bush	Douille	Casquillo		1	1
33	6-0208	Nipple	Graisneur coudé	Niple		1	1
34	6-0209	Elbow	Coude	Codo		1	1
35	6-0212	Pipe	Canalisation	Tubo		1	1
36	919-99989	Pipe	Canalisation	Tubo		4	4
37	919-99979	Support (A)	Support	Dispos.de sostén		2	2
38	919-99980	Support (B)	Support	Dispos.de sostén		2	2
39	9-8034	Bolt	Boulon	Perno	M8x16	4	4
40	4-8001	Washer	Rondelle	Arandela	M8	4	4
41	6-1142	Motor (Eaton S-380)	Motor (Eaton S-380)	Motor (Eaton S-380)	→ 0310034	2	2
41	6-1145	Motor Danfoss DS375	Motor Danfoss DS375	Motor Danfoss DS375	→ 0310035	2	2
42	9-10001	Bolt	Boulon	Perno	M10x30	8	8
43	4-1003	Washer	Rondelle	Arandela	M10	8	8
44	31-0127	Hose (D)	Durit	Flexible		4	4
45	6-0210	Elbow	Poulie	Polea		4	4
46	919-99981	Oil Tank	Réservoir huile	Depósito aceite		1	1
47	9-10021	Bolt	Boulon	Perno	M10x30	2	2
48	9-10001	Bolt	Boulon	Perno	M10x30	2	2
49	4-1003	Washer	Rondelle	Arandela	M10	4	4
50	919-99982	Gauge	Appareil indicat	Aparat indicador		1	1
51	919-99983	Plug	Bougie	Candela		1	1
52	919-99984	Cap	Chapeau	Tapa		1	1
53	919-99985	Cap	Chapeau	Tapa		1	1
54	9-8035	Bolt	Boulon	Perno	M8x20	3	3
55	4/8003	Washer	Rondelle	Arandela	M8	3	3
56	919-99986	Filter Head	Tête de Filtre	Cabeza del filtro		1	1
57	919-99987	Filter cartridge	Cartouche Filtrante	Cartucho del filtro		1	1
58	6-0211	Nipple	Graisneur coudé	Niple		1	1
59	31-0128	Hose	Durit	Flexible	30 x 19 x L300	1	1
60	919-99992	Clip	Collier	Presilla	34	2	2
61	31-0129	Hose	Durit	Flexible	20 x 13 x L380	1	1
62	919-99993	Clip	Collier	Presilla	23	2	2



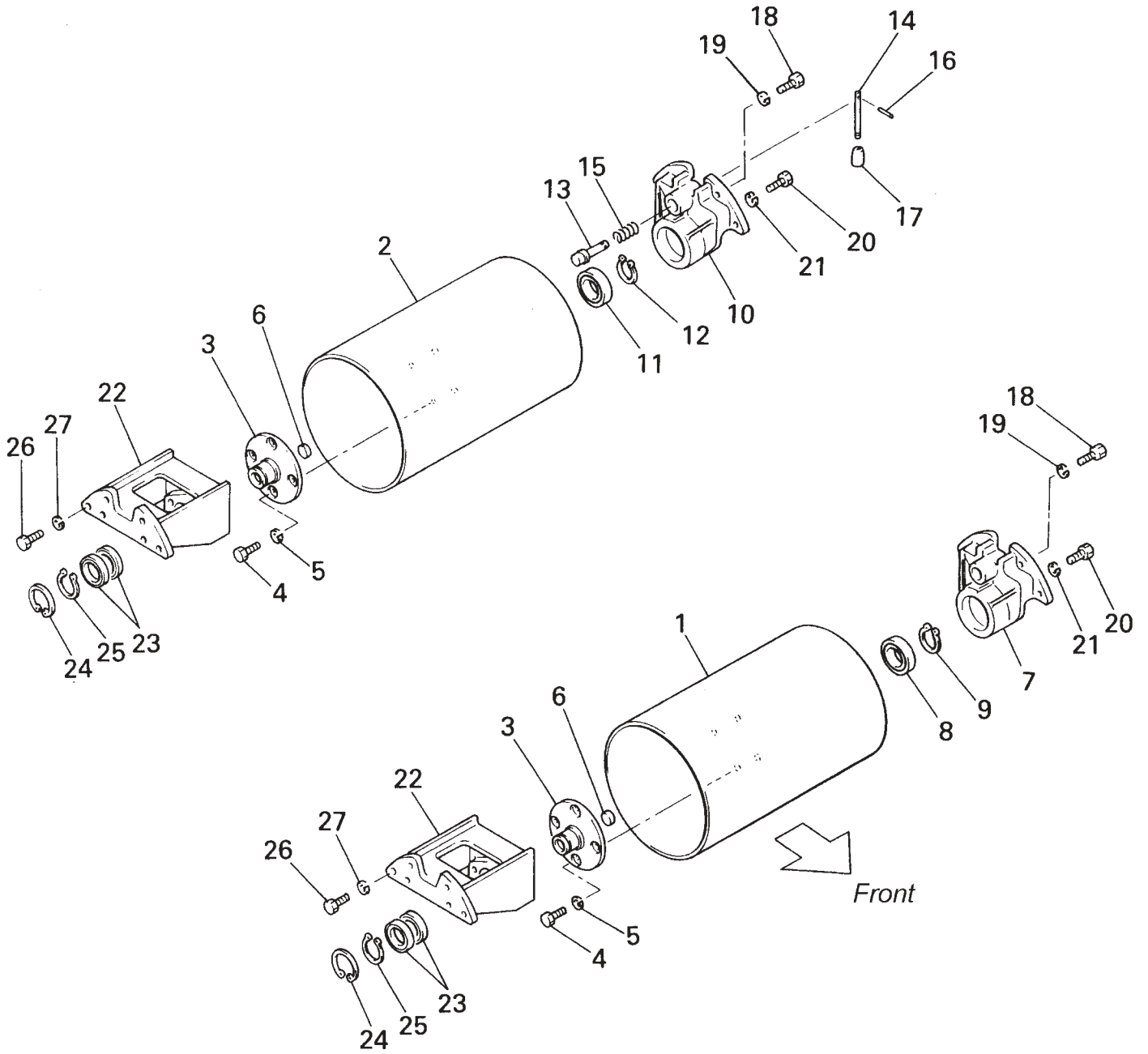
Ref. Part No.	Description	Descrição	Omschrijving	650	750		
1	6-1141	Pump	Bomba	Pomp	DAIKIN PV10-619	1	1
2	9-10001	Bolt	Perno	Bout	M10x30, 8T	2	2
3	4-1003	Washer	Anilha	Afdichtring	M10	2	2
4	4-1010	Washer	Anilha	Afdichtring	25x10.5x3.2	2	2
5	919-99974	Bracket	Suporte	Steun		1	1
6	9-10001	Bolt	Perno	Bout	M10x30, 8T	4	4
7	4-1003	Washer	Anilha	Afdichtring	M10	4	4
8	4-1010	Washer	Anilha	Afdichtring	25x10.5x3.2	4	4
9	9-10004	Bolt	Perno	Bout	M10x35, 4T	1	1
10	8-10001	Nut	Porca	Moer	M10	1	1
11	919-99975	Lever	Alavanca	Hendel		1	1
12	3-0056	Pin	Pino	Pen		1	1
13	3-0057	Pin	Pino	Pen		2	2
14	9-8033	Bolt	Perno	Bout	M8x16, 11T	1	1
15	919-99976	Pulley (A)	Polia (A)	Riemschijf (A)		1	1
16	6-0207	Bolt	Perno	Bout	M6x20	1	1
17	4-6005	Washer	Anilha	Afdichtring	M6	1	1
18	4-6013	Washer	Anilha	Afdichtring	35x6.5x4.5	1	1
19	919-99977	Key	Chave	Spie	5x5x27	1	1
20	919-99978	Pulley (B)	Polia (B)	Riemschijf (B)		1	1
21	9-6016	Bolt	Perno	Bout	M6x16 4T	1	1
22	4-6005	Washer	Anilha	Afdichtring	M6	1	1
23	4-6013	Washer	Anilha	Afdichtring	35x6.5x4.5	1	1
24	919-99988	Key	Chave	Spie		1	1
25	31-0124	Hose (A)	Tubegem	Slang		1	1
26	31-0125	Hose (B)	Tubegem	Slang		1	1
27	919-99991	Cover	Tampa	Afdek		1	1
28	31-0126	Hose (C)	Tubegem	Slang		1	1
29	6-0205	Elbow	Canto	Elleboogstuk	PF3/8xPF3/8	2	2
30	6-0206	Elbow	Canto	Elleboogstuk	PF3/8xPT1/4	1	1
31	6-0207	Pipe	Tubo	Pijp		1	1
32	919-99990	Bush	Bucha	Bus		1	1
33	6-0208	Nipple	Bocal	Nippel		1	1
34	6-0209	Elbow	Canto	Elleboogstuk		1	1
35	6-0212	Pipe	Tubo	Pijp		1	1
36	919-99989	Pipe	Tubo	Pijp		4	4
37	919-99979	Pipe (A)	Tubo (A)	Pijp (A)		2	2
38	919-99980	Pipe (B)	Tubo(B)	Pijp (B)		2	2
39	9-8034	Bolt	Perno	Bout	M8x16, 4T	4	4
40	4-8001	Washer	Anilha	Afdichtring	M8	4	4
41	6-1142	Motor	Motor	Motor	→ 0310034	2	2
41	6-1145	Motor	Motor	Motor	→ 0310035	2	2
42	9-10001	Bolt	Perno	Bout	M10x30, 8T	8	8
43	4-1003	Washer	Anilha	Afdichtring	M10	8	8
44	31-0127	Hose (D)	Tubegem	Slang		4	4
45	6-0210	Elbow	Canto	Elleboogstuk		4	4
46	919-99981	Oil Tank	Despósito de óleo	Olie Tank		1	1
47	9-10021	Bolt	Perno	Bout	M10x30	2	2
48	9-10001	Bolt	Perno	Bout	M10x30	2	2
49	4-1003	Washer	Anilha	Afdichtring	M10	4	4
50	919-99982	Gauge	Vareta de medição de óleo.	Olieplug		1	1
51	919-99983	Plug	Bujão	Plug		1	1
52	919-99984	Cap	Tampa	Kap		1	1
53	919-99985	Cap	Tampa	Kap		1	1
54	9-8035	Bolt	Perno	Bout	M8x20	3	3
55	4/8003	Washer	Anilha	Afdichtring	M8	3	3
56	919-99986	Filter Head	Cabeça do filtro	Filtertop		1	1
57	919-99987	Filter cartridge	Cartucho do filtro	Filter Cartridge		1	1
58	6-0211	Nipple	Bocal	Nippel		1	1
59	31-0128	Hose	Tubegem	Slang	30 x 19 x L300	1	1
60	919-99992	Clip	Grampo	Klem	34	2	2
61	31-0129	Hose	Tubegem	Slang	20 x 13 x L380	1	1
62	919-99993	Clip	Grampo	Klem	23	2	2



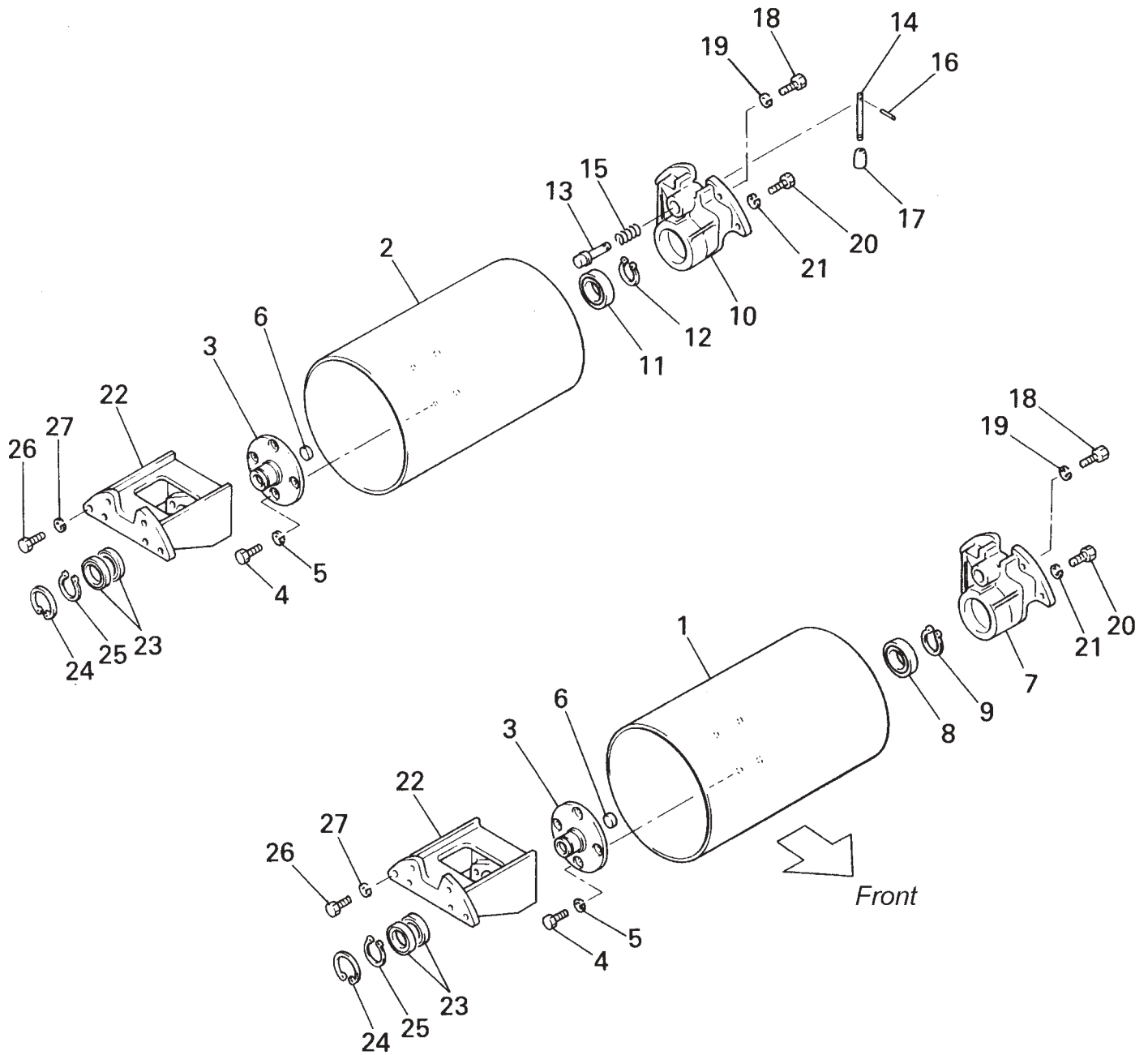
Ref. Part No. No.	Description	Désignation	Descripción	Qty			
				650	750		
1	919-99908	Shaft	Axe	Eje	1	1	
2	53-0020	Bearing	Palier	Cojinete	6308ZZC3	2	2
3	3-9014	Snap Ring	Jonc d'arrêt	Anillo a presión	R90	1	1
4	3-9015	Snap Ring	Jonc d'arrêt	Anillo a presión	S40	2	2
5	2-0044	Spring	Ressort	Muelle		1	1
6	919-99909	Shifter	Levier	Palanca de desplazamiento		1	1
7	53-0021	Bearing	Palier	Cojinete	6009LLUC3	1	1
8	3-9016	Snap Ring	Jonc d'arrêt	Anillo a presión	R75	1	1
9	919-99910	Pulley	Poulie	Polea		1	1
10	3-9017	Snap Ring	Jonc d'arrêt	Anillo a presión	S45	1	1
11	919-99911	Collar	Collerette	Collar		1	1
12	53-0022	Bearing	Palier	Cojinete	6205ZZ	1	1
13	919-99912	Pulley	Poulie	Polea		1	1
14	9-8036	Bolt	Boulon	Perno	M8x25	1	1
15	4-8003	Washer	Rondelle	Arandela	M8	1	1
16	919-99913	Lever	Levier	Palanca		1	1
17	919-99914	Bolt (B)	Boulon	Perno		4	4
18	919-99915	Support	Support	Dispos.de sostén		1	1
19	9-10001	Bolt	Boulon	Perno	M10 x 30	2	2
20	4-1003	Washer	Rondelle	Arandela	M10	2	2
21	9-8037	Washer	Rondelle	Arandela	25x10.5x3.2	2	2
22	21-150	V-belt	Courroie	Correa	A-33" RED	1	1
23	919-99916	Bracket	Support fixation	Soporte		1	1
24	9-8037	Bolt	Boulon	Perno	M8x25	2	2
25	4-8003	Washer	Rondelle	Arandela	M8	2	2
26	4-8014	Washer	Rondelle	Arandela	25x8.5x3.2	2	2
27	919-99917	Belt Tension	Tendeur de Courroie	Tensionador Correa		1	1
28	9-10023	Bolt	Boulon	Perno	M10x20	1	1
29	4-1003	Washer	Rondelle	Arandela	M10	1	1
30	4-1010	Washer	Rondelle	Arandela	25x8.5x3.2	1	1
31	919-99918	Idler	Poulie Tension	Polea Loca	TPAV-70	1	1
32	3-9018	Snap Ring	Jonc d'arrêt	Anillo a presión	S15	1	1
33	2-0045	Spring	Ressort	Muelle		1	1
34	9-10024	Bolt	Boulon	Perno	M10x35	4	4
35	8-10001	Nut	Ecrou	Tuerca	M10	2	2
36	919-99919	Support	Support	Dispos.de sostén		1	1
37	9-8037	Bolt	Boulon	Perno	M8x25	1	1
38	4-8003	Washer	Rondelle	Arandela	M8	1	1



Ref. Part No. No.	Description	Descrição	Omschrijving	Qty			
				650	750		
1	919-99908	Shaft	Veio	As	1	1	
2	53-0020	Bearing	Rolamento	Lager	6308ZZC3	2	2
3	3-9014	Snap Ring	Anel de Mola	Borgveer	R90	1	1
4	3-9015	Snap Ring	Anel de Mola	Borgveer	S40	2	2
5	2-0044	Spring	Mola	Veer		1	1
6	919-99909	Shifter	Deslocador	Draaier		1	1
7	53-0021	Bearing	Rolamento	Lager	6009LLUC3	1	1
8	3-9016	Snap Ring	Anel de Mola	Borgveer	R75	1	1
9	919-99910	Pulley	Polia	Riemschijf		1	1
10	3-9017	Snap Ring	Anel de Mola	Borgveer	S45	1	1
11	919-99911	Collar	Braçadeira	Kraag		1	1
12	53-0022	Bearing	Rolamento	Lager	6205ZZ	1	1
13	919-99912	Pulley	Polia	Riemschijf		1	1
14	9-8036	Bolt	Perno	Bout	M8x25	1	1
15	4-8003	Washer	Anilha	Afdichtring	M8	1	1
16	919-99913	Lever	Alavanca	Hendel		1	1
17	919-99914	Bolt (B)	Perno	Bout		4	4
18	919-99915	Bracket	Suporte	Steun		1	1
19	9-10001	Bolt	Perno	Bout	M10 x 30	2	2
20	4-1003	Washer	Anilha	Afdichtring	M10	2	2
21	4-1010	Washer	Anilha	Afdichtring	25x10.5x3.2	2	2
22	21-150	Belt	Cinta	Riem	A-33" RED	1	1
23	919-99916	Bracket	Suporte	Steun		1	1
24	9-8037	Bolt	Perno	Bout	M8x25	2	2
25	4-8003	Washer	Anilha	Afdichtring	M8	2	2
26	4-8014	Washer	Anilha	Afdichtring	25x8.5x3.2	2	2
27	919-99917	Belt Tension	Tensão da correia	Snaarspanning		1	1
28	9-10023	Bolt	Perno	Bout	M10x20	1	1
29	4-1003	Washer	Anilha	Afdichtring	M10	1	1
30	4-1010	Washer	Anilha	Afdichtring	25x8.5x3.2	1	1
31	919-99918	Idler	Neutro	Riemschijf	TPAV-70	1	1
32	3-9018	Snap Ring	Anel de Mola	Borgveer	S15	1	1
33	2-0045	Spring	Mola	Veer		1	1
34	9-10024	Bolt	Perno	Bout	M10x35	2	2
35	8-10001	Nut	Porca	Moer	M10	2	2
36	919-99919	Bracket	Suporte	Steun		1	1
37	9-8037	Bolt	Perno	Bout	M8x25	1	1
38	4-8003	Washer	Anilha	Afdichtring	M8	1	1
39	4/1012	Washer	Anilha	Afdichtring	30 x 10.5	2	2

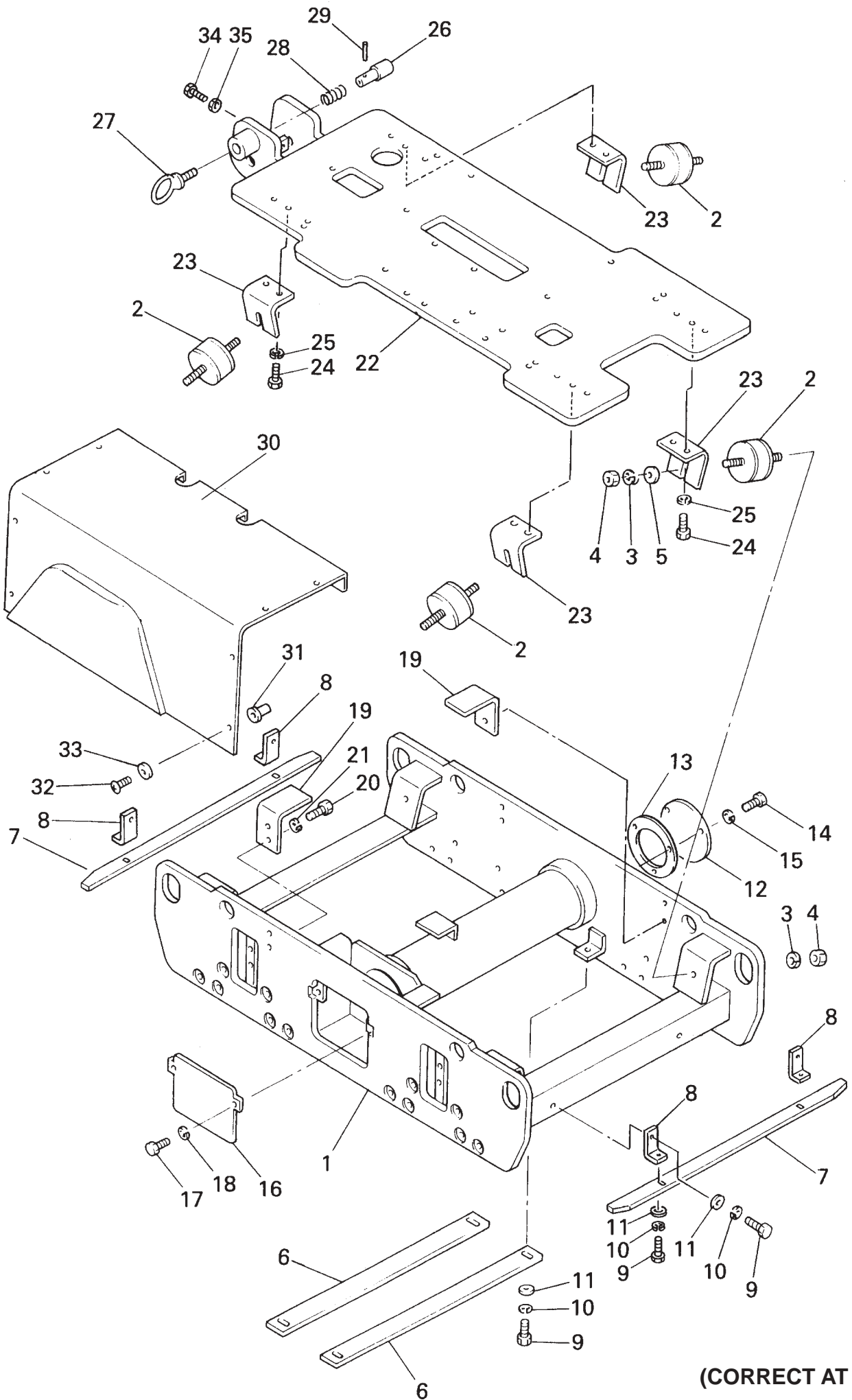


Ref. Part No. No.	Description	Désignation	Descripción	Qty			
				650	750		
1	919-99920	Drum	Tambour	Tamburo	1	0	
	919-99921	Drum	Tambour	Tamburo	0	1	
2	919-99922	Drum	Tambour	Tamburo	1	0	
	919-99923	Drum	Tambour	Tamburo	0	1	
3	919-99924	Shaft	Axe	Eje	2	2	
4	9-12020	Bolt	Boulon	Perno	M12x30, 8T	8	8
5	4-1202	Washer	Rondelle	Arandela	M12	8	8
6	6-2015	Plug	Bougie	Candela		2	2
7	919-99925	Bracket	Support fixation	Soporte		1	1
8	53-0023	Bearing	Palier	Cojinete	6210LLU	1	1
9	3-9019	Snap Ring	Jonc d'arrêt	Anillo a presión	S50	1	1
10	919-99926	Bracket	Support fixation	Soporte		1	1
11	919-99927	Bearing	Palier	Cojinete	6210LLU	1	1
12	74-0005	Snap Ring	Jonc d'arrêt	Anillo a presión	S50	1	1
13	919-99501	Shaft	Axe	Eje		1	1
14	74-0005	Handle	Guidon	Manillar		1	1
15	2-0046	Spring	Ressort	Muelle		1	1
16	3-0058	Pin	Goupille	Pasador		1	1
17	74-0006	Grip	Poignée	Asas		1	1
18	9-12020	Bolt	Boulon	Perno	M12x30, 8T	12	12
19	4-1202	Washer	Rondelle	Arandela	M12	12	12
20	9-10023	Bolt	Boulon	Perno	M10x20, 4T	2	2
21	4-1003	Washer	Rondelle	Arandela	M10	2	2
22	919-99928	Bracket	Support fixation	Soporte		2	2
23	53-0024	Bearing	Palier	Cojinete	6010LLU	4	4
24	3-9020	Snap Ring	Jonc d'arrêt	Anillo a presión	R80	2	2
25	3-9019	Snap Ring	Jonc d'arrêt	Anillo a presión	S50	2	2
26	9-12020	Bolt	Boulon	Perno	M12x30, 8T	12	12
27	4-1202	Washer	Rondelle	Arandela	M12	12	12



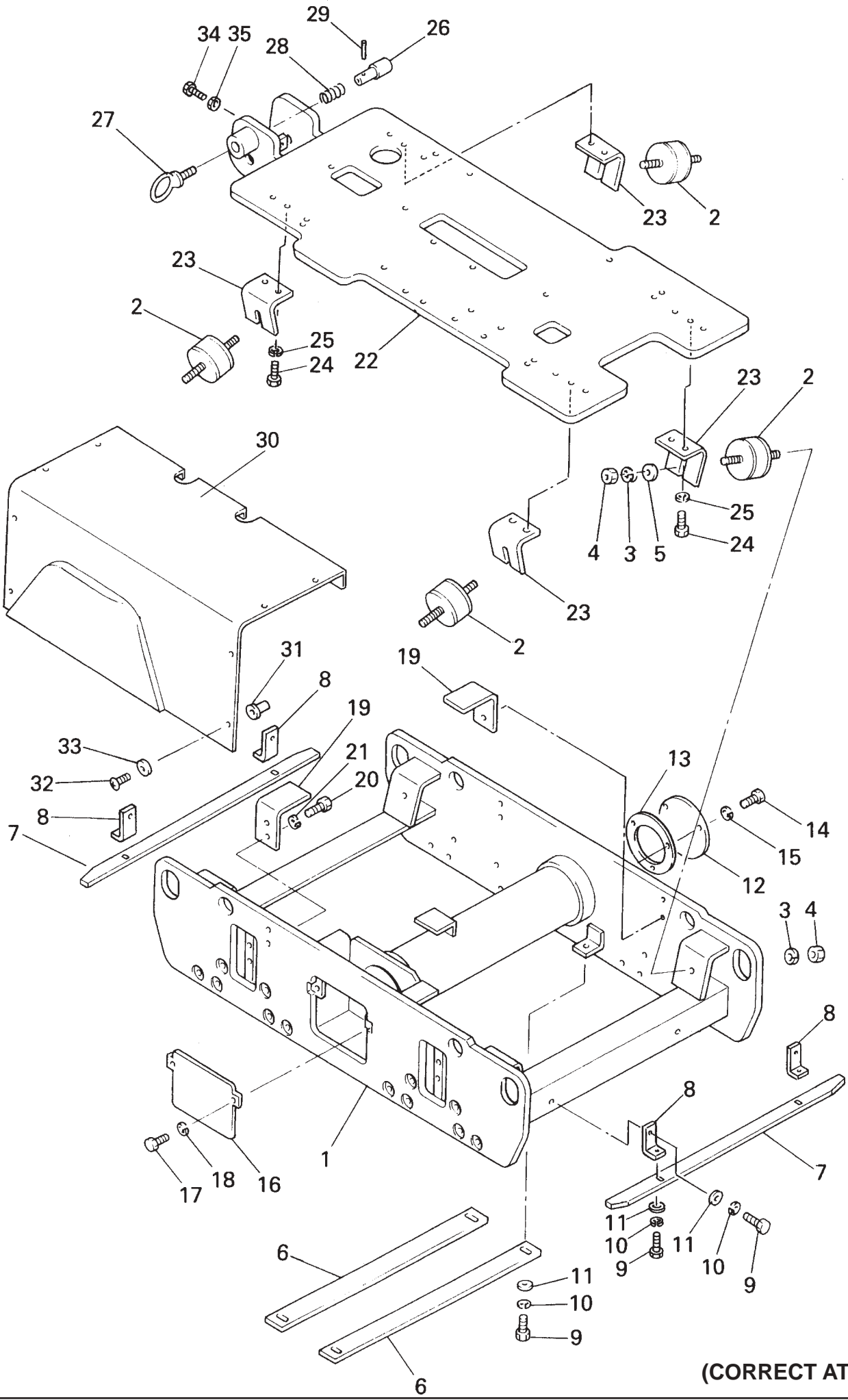
(CORRECT AT 05/05)

Ref. Part No. No.	Description	Descrição	Omschrijving	650	Qty 750		
1	919-99920	Drum	Tambor	Messenrol	1	0	
	919-99921	Drum	Tambor	Messenrol	0	1	
2	919-99922	Drum	Tambor	Messenrol	1	0	
	919-99923	Drum	Tambor	Messenrol	0	1	
3	919-99924	Shaft	Veio	As	2	2	
4	9-12020	Bolt	Perno	Bout	M12x30, 8T	8	8
5	4-1202	Washer	Anilha	Afdichtring	M12	8	8
6	6-2015	Plug	Bujão	Plug		2	2
7	919-99925	Bracket	Suporte	Steun		1	1
8	53-0023	Bearing	Rolamento	Lager	6210LLU	1	1
9	3-9019	Snap Ring	Anel de Mola	Borgveer	S50	1	1
10	919-99926	Bracket	Suporte	Steun		1	1
11	919-99927	Bearing	Rolamento	Lager	6210LLU	1	1
12	74-0005	Snap Ring	Anel de Mola	Borgveer	S50	1	1
13	919-99501	Shaft	Veio	As		1	1
14	74-0005	Handle	Alavanca	Hendel		1	1
15	2-0046	Spring	Mola	Veer		1	1
16	3-0058	Pin	Pino	Pen		1	1
17	74-0006	Grip	Mãozotas	Handgrepen		1	1
18	9-12020	Bolt	Perno	Bout	M12x30, 8T	12	12
19	4-1202	Washer	Anilha	Afdichtring	M12	12	12
20	9-10023	Bolt	Perno	Bout	M10x20, 4T	2	2
21	4-1003	Washer	Anilha	Afdichtring	M10	2	2
22	919-99928	Bracket	Suporte	Steun		2	2
23	53-0024	Bearing	Rolamento	Lager	6010LLU	4	4
24	3-9020	Snap Ring	Anel de Mola	Borgveer	R80	2	2
25	3-9019	Snap Ring	Anel de Mola	Borgveer	S50	2	2
26	9-12020	Bolt	Perno	Bout	M12x30, 8T	12	12
27	4-1202	Washer	Anilha	Afdichtring	M12	12	12



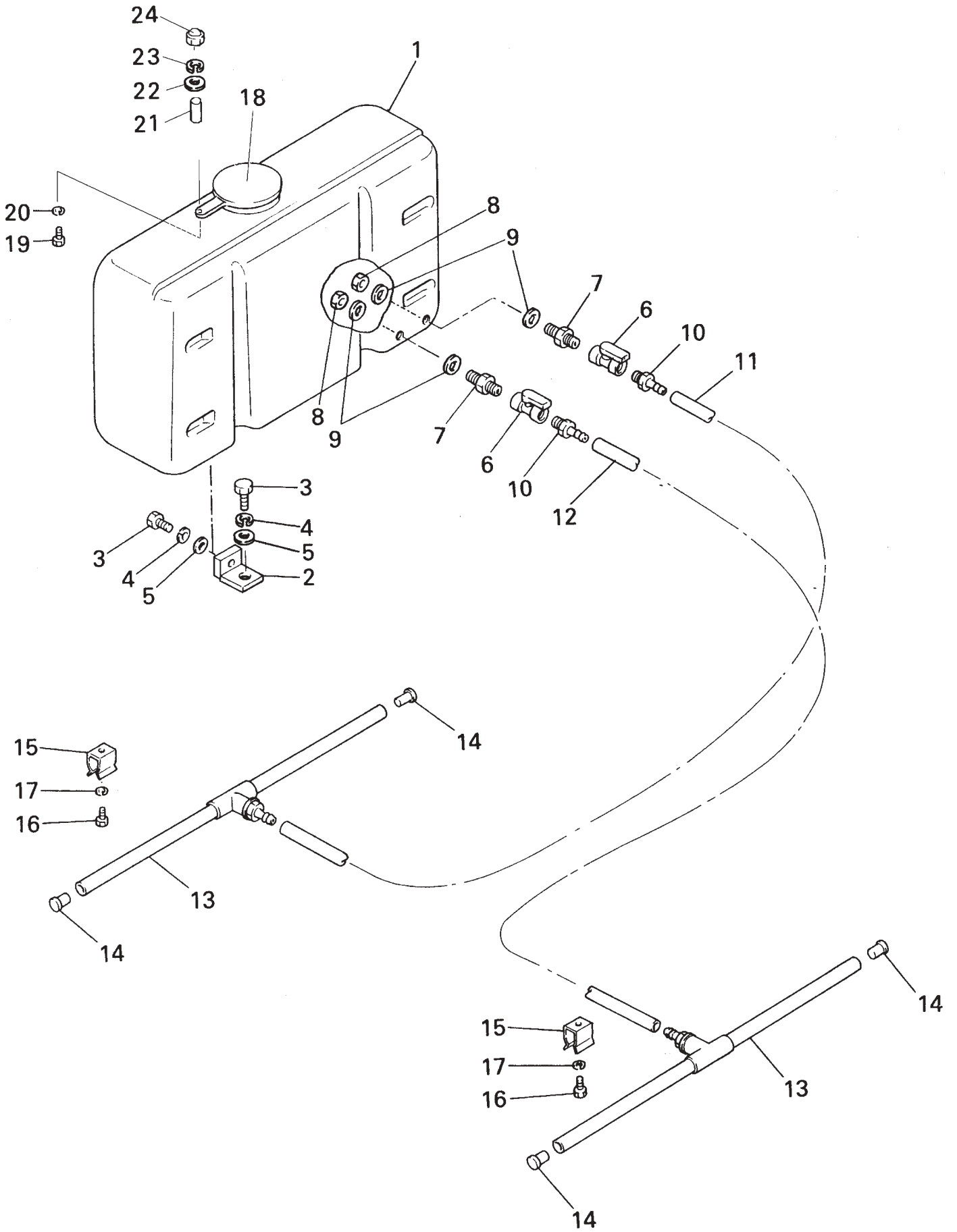
(CORRECT AT 05/05)

Ref. Part No. No.	Description	Désignation	Descripción		Qty 650	Qty 750
1	919-99929	Main Frame	Châssis principal	Armazón principal	1	1
2	21-01510	Isolator	Isolateur	Aislador	4	4
3	4-1202	Washer	Rondelle	Arandela	M12	8
4	8-12001	Nut	Ecrou	Tuerca	M12	8
5	4-1212	Washer	Rondelle	Arandela	28x12.5x3.2	4
6	919-99930	Scraper	Racleur	Arrastre		2
7	919-99931	Scraper	Racleur	Arrastre		2
8	919-99932	Bracket	Support fixation	Soporte		4
9	9-10025	Bolt	Boulon	Perno	M10x25, 8T	12
10	4/1003	Washer	Rondelle	Arandela	M10	12
11	4-1010	Washer	Rondelle	Arandela	25x10.5x3.2	12
12	919-99933	Cover	Couvercle	Coperchio		1
13	919-99934	Cover	Couvercle	Coperchio		1
14	9-6016	Bolt	Boulon	Perno	M6x16, 4T	3
15	4-6005	Washer	Rondelle	Arandela	M6	3
16	919-99935	Cover	Couvercle	Coperchio		1
17	9-8034	Bolt	Boulon	Perno	M8x16, 4T	2
18	4-8003	Washer	Rondelle	Arandela	M8	2
19	919-99936	Bracket	Support fixation	Soporte		2
20	9-10025	Bolt	Boulon	Perno	M10x25, 8T	4
21	4/1003	Washer	Rondelle	Arandela	M10	4
22	919-99937	Base	Semelle	Base		1
23	919-99938	Support	Support	Dispos.de sostén		4
24	9-10025	Bolt	Boulon	Perno	M10x25, 8T	8
25	4/1003	Washer	Rondelle	Arandela	M10	8
26	919-99939	Pin	Goupille	Perno		1
27	919-99940	Bolt	Boulon	Perno		1
28	2-0047	Spring	Ressort	Muelle		1
29	3-0059	Pin	Goupille	Perno		1
30	919-99941	Cover	Couvercle	Coperchio	→I 0405030	1
30	919-99502	Cover	Couvercle	Coperchio	↳ 0405031	1
					→I 0409006	1
30	919-99503	Cover	Couvercle	Coperchio	↳ 04090047	1
31	919-99942	Bolt Holder	Écrou	Perno de anclaje	Q-6	8
32	9-6018	Bolt	Boulon	Perno	M6x25, 4T	8
33	4-6003	Washer	Rondelle	Arandela	M6	8
34	9-10025	Bolt	Boulon	Perno	M10x25, 8T	1
35	8-10001	Nut	Ecrou	Tuerca	M10	1



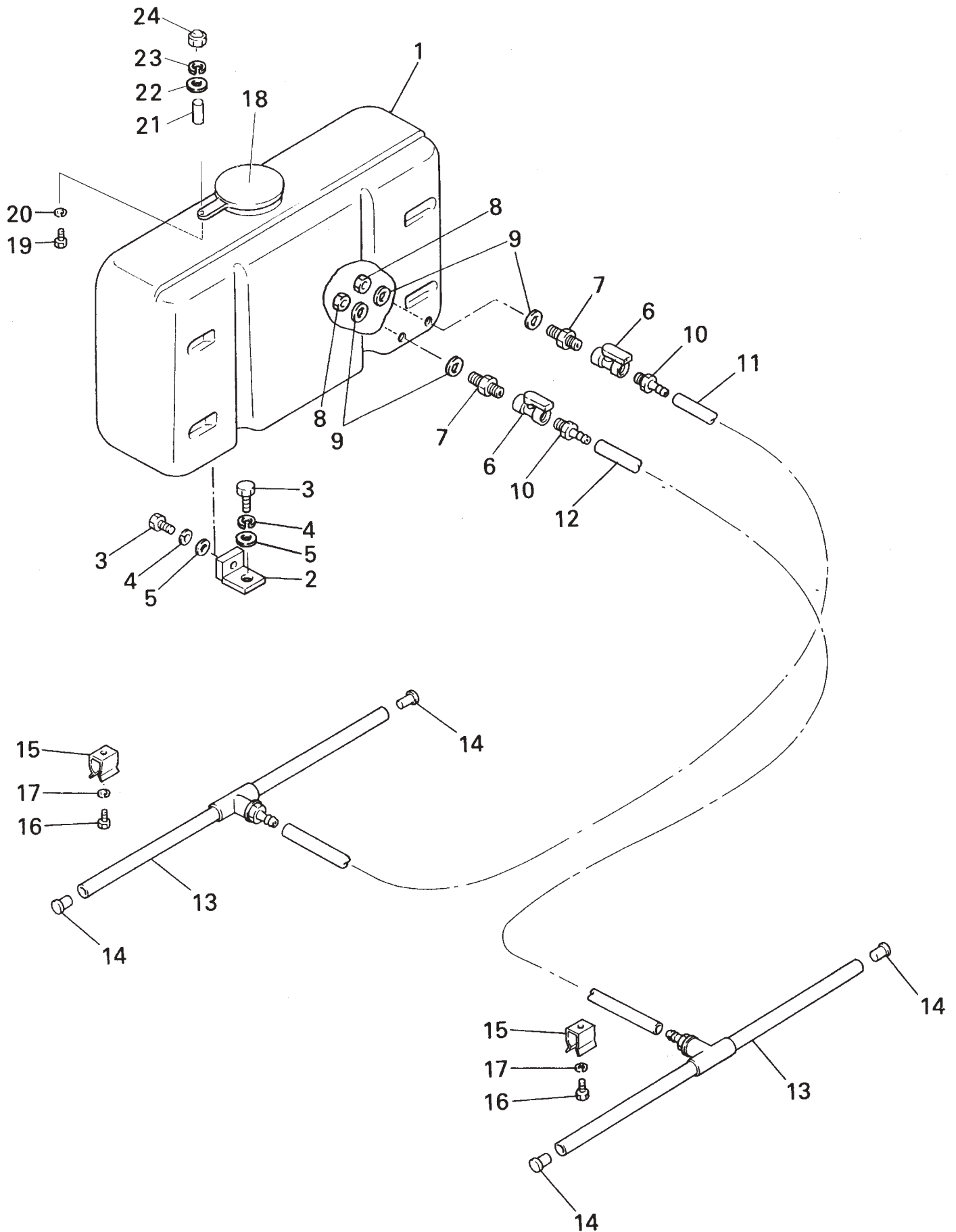
(CORRECT AT 05/05)

Ref. Part No. No.	Description	Descrição	Omschrijving	650	Qty 750		
1	919-99929	Main Frame	Estrutura principal	Hoofdframe	1	1	
2	21-01510	Isolator	Isolador	Isolatieschakelaar	4	4	
3	4-1202	Washer	Anilha	Afdichtring	M12	8	8
4	8-12001	Nut	Porca	Moer	M12	8	8
5	9-10025	Washer	Anilha	Afdichtring	28x12.5x3.2	4	4
6	919-99930	Scraper	Raspadeira	Schraper		2	2
7	919-99931	Scraper	Raspadeira	Schraper		2	2
8	919-99932	Bracket	Suporte	Steun		4	4
9	9-10025	Bolt	Perno	Bout	M10x25, 8T	12	12
10	4/1003	Washer	Anilha	Afdichtring	M10	12	12
11	4-1010	Washer	Anilha	Afdichtring	25x10.5x3.2	12	12
12	919-99933	Cover	Tampa	Afdek		1	1
13	919-99934	Cover	Tampa	Afdek		1	1
14	9-6016	Bolt	Perno	Bout	M6x16, 4T	3	3
15	4-6005	Washer	Anilha	Afdichtring	M6	3	3
16	919-99935	Cover	Tampa	Afdek		1	1
17	9-8034	Bolt	Perno	Bout	M8x16, 4T	2	2
18	4-8003	Washer	Anilha	Afdichtring	M8	2	2
19	919-99936	Bracket	uporte	Steun		2	2
20	9-10025	Bolt	Perno	Bout	M10x25, 8T	4	4
21	4/1003	Washer	Anilha	Afdichtring	M10	4	4
22	919-99937	Base	Vloerplaat	Base		1	1
23	919-99938	Bracket	Suporte	Steun		4	4
24	9-10025	Bolt	Perno	Bout	M10x25, 8T	8	8
25	4/1003	Washer	Anilha	Afdichtring	M10	8	8
26	919-99939	Pin	Pino	Pen		1	1
27	919-99940	Bolt	Perno	Bout		1	1
28	2-0047	Spring	Mola	Veer		1	1
29	3-0059	Pin	Pino	Pen		1	1
30	919-99941	Cover	Tampa	Afdek	→I 0405030	1	1
30	919-99502	Cover	Tampa	Afdek	I→ 0405031	1	1
					→I 0409006	1	1
30	919-99503	Cover	Tampa	Afdek	I→ 04090047	1	1
31	919-99942	Bolt Holder	Suporte do parafuso	Bouthouder	Q-6	8	8
32	9-6018	Bolt	Perno	Bout	M6x25, 4T	8	8
33	4-6003	Washer	Anilha	Afdichtring	M6	8	8
34	9-10025	Bolt	Perno	Bout	M10x25, 8T	1	1
35	8-10001	Nut	Porca	Moer	M10	1	1



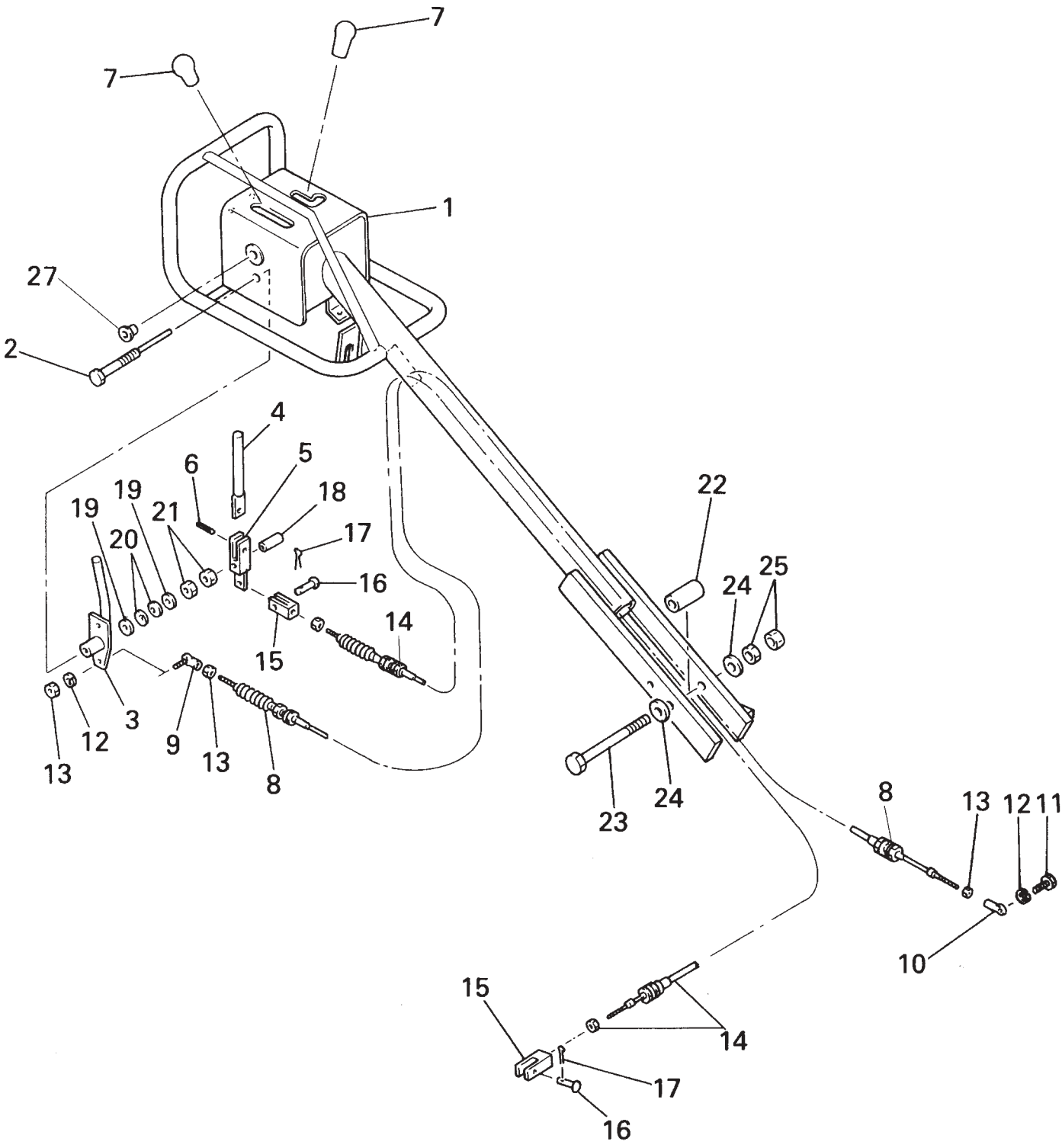
(CORRECT AT 05/05)

Ref. Part No. No.	Description	Désignation	Descripción	Qty			
				650	750		
1	919-99943	Water Tank	Réservoir eau	Depos. de agua	1	1	
2	919-99944	Support	Support	Dispos.de sostén	3	3	
3	9-10002	Bolt	Boulon	Perno	M10x20	6	6
4	4/1003	Washer	Rondelle	Arandela	M10	6	6
5	4-1011	Washer	Rondelle	Arandela	25x10.5x3.2	6	6
6	6-0203	Cock	Robinet	Aguja indicadora		2	2
7	919-99994	Connector	Borne	Conector		2	2
8	8-14010	Nut	Ecrou	Tuerca		2	2
9	919-99995	Packing	Garniture étanch	Empaquetadura		4	4
10	6-0204	Nipple	Graisneur coudé	Niple	3/8	2	2
11	919-9996	Hose (A)	Durit	Flexible		1	1
12	919-99997	Hose (B)	Durit	Flexible		1	1
13	919-99945	Nozzle	Nez injecteur	Tobera		1	1
14	919-99946	Cap	Chapeau	Tapa		4	4
15	919-99947	Catch	Loquet porte	Fijador		4	4
16	9-08038	Bolt	Boulon	Perno	M8x16	4	4
17	4-8003	Washer	Rondelle	Arandela	M8	4	4
18	919-99504	Cap	Chapeau	Tapa		1	1
19	9-10025	Bolt	Boulon	Perno	M10 x 35	1	1
20	4-1013	Washer	Rondelle	Arandela	M10	1	1
21	919-99505	Collar	Collier	Casquillo		1	1
22	4-3003	Washer	Rondelle	Arandela	30 x 10.5 x 3.2	1	1
23	4-1003	Washer	Rondelle	Arandela	M10	1	1
24	8-10011	Nut	Ecrou	Tuerca	M10	1	1

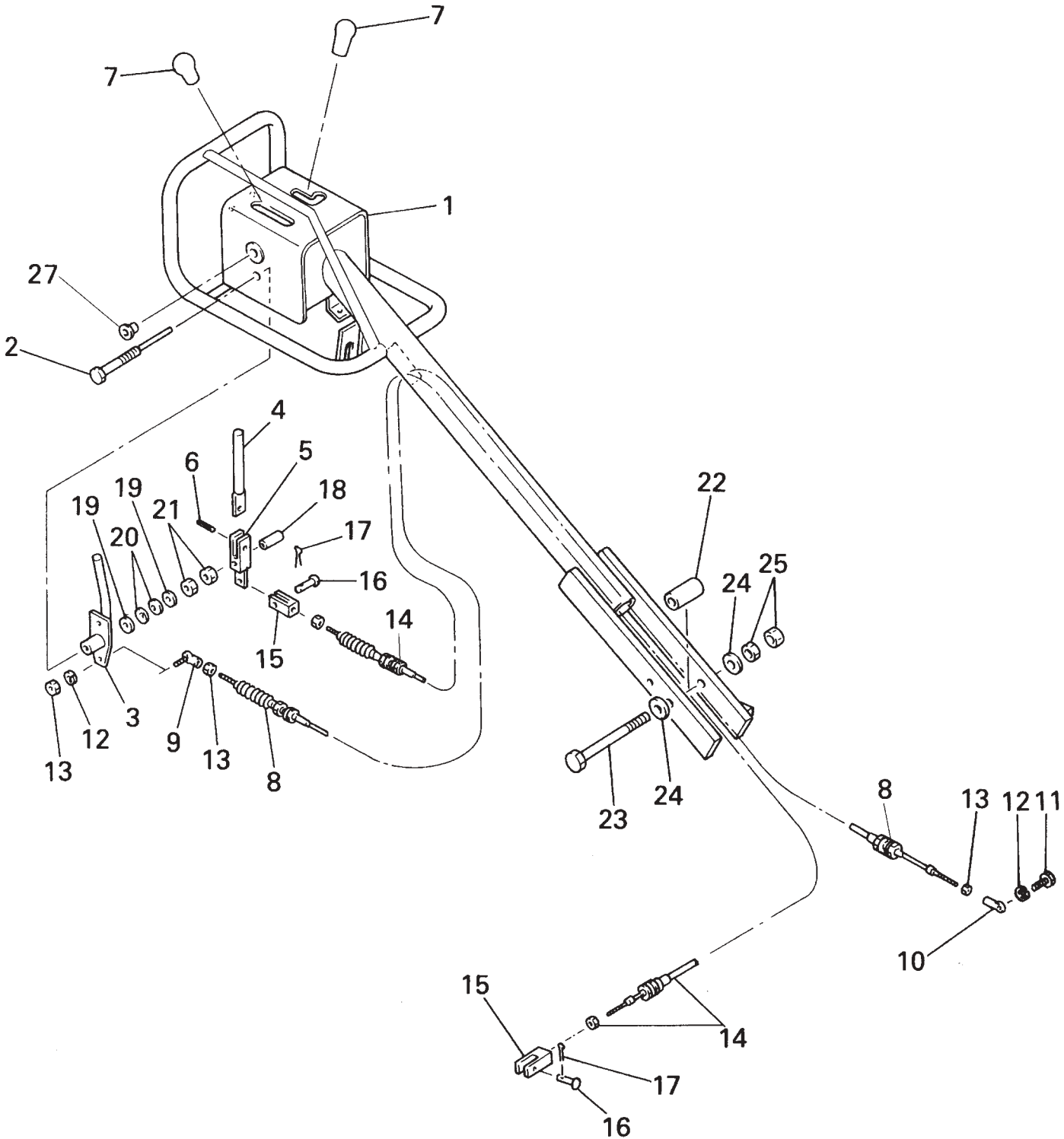


(CORRECT AT 05/05)

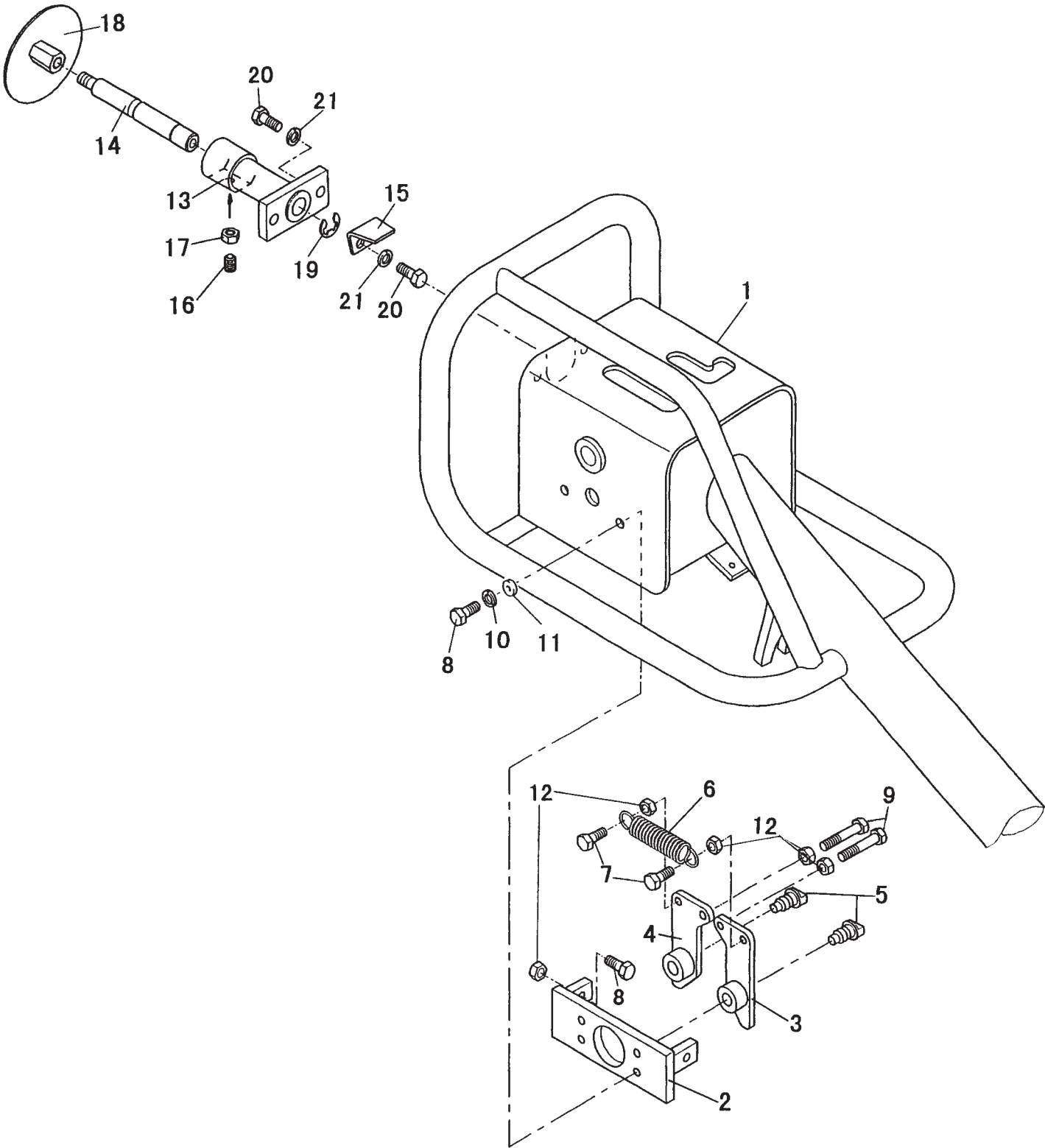
Ref. Part No. No.	Description	Descrição	Omschrijving	Qty			
				650	750		
1	919-99943	Water Tank	Tanque de água	Watertank	1	1	
2	919-99944	Bracket	Suporte	Steun	3	3	
3	9-10002	Bolt	Perno	Bout	M10x20	6	6
4	4/1003	Washer	Anilha	Afdichtring	M10	6	6
5	4-1010	Washer	Anilha	Afdichtring	25x10.5x3.2	6	6
6	6-0203	Cock	Válvula de líquido	Brandstoffkraan		2	2
7	919-99994	Connector	Conector	Verbindingsstuk		2	2
8	8-14010	Nut	Porca	Moer		2	2
9	919-99995	Packing	Caixa de Empanque	Pakkingstrip		4	4
10	6-0204	Nipple	Bocal	Nippel	3/8	2	2
11	919-9996	Hose (A)	Tubegem	Slang		1	1
12	919-99997	Hose (B)	Tubegem	Slang		1	1
13	919-99945	Nozzle	Bico	Sproeier		1	1
14	919-99946	Cap	Tampa	Kap		4	4
15	919-99947	Catch	Trinco	Vanger		4	4
16	9-08038	Bolt	Perno	Bout	M8x16	4	4
17	4-8003	Washer	Anilha	Afdichtring	M8	4	4
18	919-99504	Cap	Tampa	Kap		1	1
19	9-10025	Bolt	Boulon	Perno	M10 x 35	1	1
20	4-1013	Washer	Anilha	Afdichtring	M10	1	1
21	919-99505	Collar	Braçadeira	Kraag		1	1
22	4-3003	Washer	Anilha	Afdichtring	30 x 10.5 x 3.2	1	1
23	4-1003	Washer	Anilha	Afdichtring	M10	1	1
24	8-10011	Nut	Porca	Moer	M10	1	1



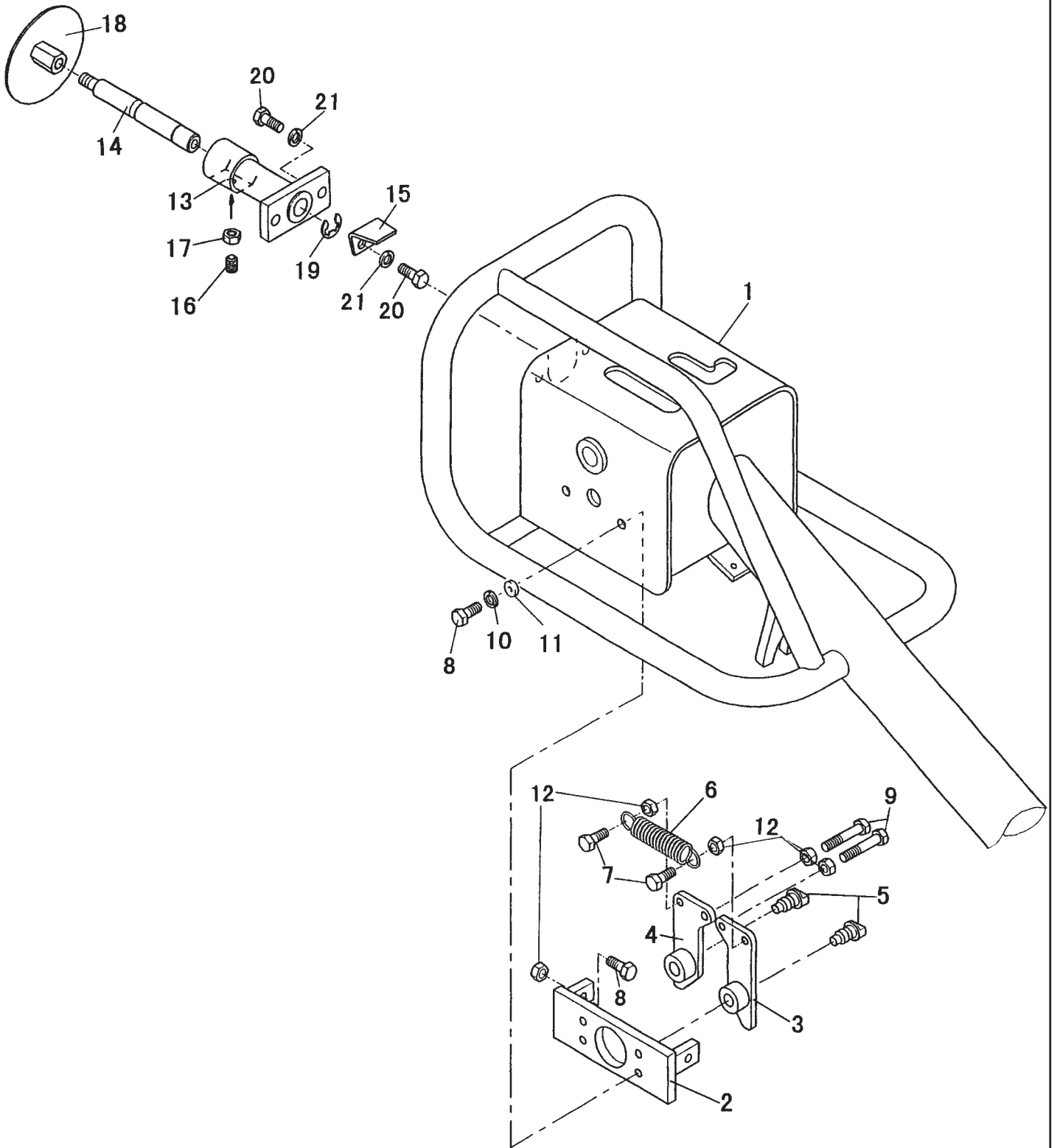
Ref. Part No. No.	Description	Désignation	Descripción	Qty 650	Qty 750		
1	919-99948	Handle	Guidon	0	1		
	919-99949	Handle	Guidon	1	0		
2	919-99950	Pin	Goupille	1	1		
3	919-99951	Lever	Levier	1	1		
4	919-99952	Lever	Levier	1	1		
5	919-99953	Connector	Borne	1	1		
6	3-0054	Pin	Goupille	Pasador	8x25	1	1
7	74-0007	Grip	Poignée	Asas		2	2
8	919-99954	Wire	Fil	Alambre		1	1
9	3-5041	Rod End	Tête de bielle	Cabeza de biela	RBL6	1	1
10	3-5042	Rod End	Tête de bielle	Cabeza de biela	PHS6	1	1
11	9-6019	Bolt	Boulon	Perno	M6x20	1	1
12	4-6003	Washer	Rondelle	Arandela	M6	2	2
13	8-6012	Nut	Ecrou	Tuerca	M6	3	3
14	919-99955	Wire	Fil	Alambre		1	1
15	3-5043	Clevis	Clape	Gancho seguridad		2	2
16	919-99956	Pin	Goupille	Pasador	6x18	2	2
17	3-0057	Pin	Goupille	Pasador		2	2
18	919-99957	Collar	Collerette	Collar		1	1
19	4/1610	Washer	Rondelle	Arandela	35x16.5x4.5	2	2
20	4-6013	Washer	Rondelle	Arandela		2	2
21	8-16003	Nut	Ecrou	Tuerca	M16	2	2
22	919-99958	Collar	Collerette	Collar		1	1
23	9/20000	Bolt	Boulon	Perno	M20x170	1	1
24	4-2003	Washer	Rondelle	Arandela	M20	2	2
25	8/2001	Nut	Ecrou	Tuerca	M20	2	2
26	919-99964	Cap	Chapeau	Tapa		1	1



Ref. Part No. No.	Description	Descrição	Omschrijving	Qty			
				650	750		
1	919-99948	Handle	Alavanca	Hendel	0	1	
	919-99949	Handle	Alavanca	Hendel	1	0	
2	919-99950	Pin	Pino	Pen	1	1	
3	919-99951	Lever	Alavanca	Hendel	1	1	
4	919-99952	Lever	Alavanca	Hendel	1	1	
5	919-99953	Connector	Conector	Verbindingsstuk	1	1	
6	3-0054	Pin	Pino	Pen	8x25	1	1
7	74-0007	Grip	Mãozotas	Handgrepen		2	2
8	919-99954	Cable	Cabo	Kabel		1	1
9	3-5041	Rod End	Tampa da hasta	Einde Staaf	RBL6	1	1
10	3-5042	Rod End	Tampa da hasta	Einde Staaf	PHS6	1	1
11	9-6019	Bolt	Perno	Bout	M6x20	1	1
12	4-6003	Washer	Anilha	Afdichtring	M6	2	2
13	8-6012	Nut	Porca	Moer	M6	3	3
14	919-99955	Cable	Cabo	Kabel		1	1
15	3-5043	Clevis	Grampo	Graffel		2	2
16	919-99956	Pin	Pino	Pen	6x18	2	2
17	3-0060	Pin	Pino	Pen		2	2
18	919-99957	Collar	Braçadeira	Kraag		1	1
19	4-1610	Washer	Anilha	Afdichtring	35x16.5x4.5	2	2
20	4-6013	Washer	Anilha	Afdichtring		2	2
21	8-16003	Nut	Porca	Moer	M16	2	2
22	919-99958	Collar	Braçadeira	Kraag		1	1
23	9-20000	Bolt	Perno	Bout	M20x170	1	1
24	4-2003	Washer	Anilha	Afdichtring	M20	2	2
25	8-001	Nut	Porca	Moer	M20	2	2
26	919-99964	Cap	Tampa	Kap		1	1

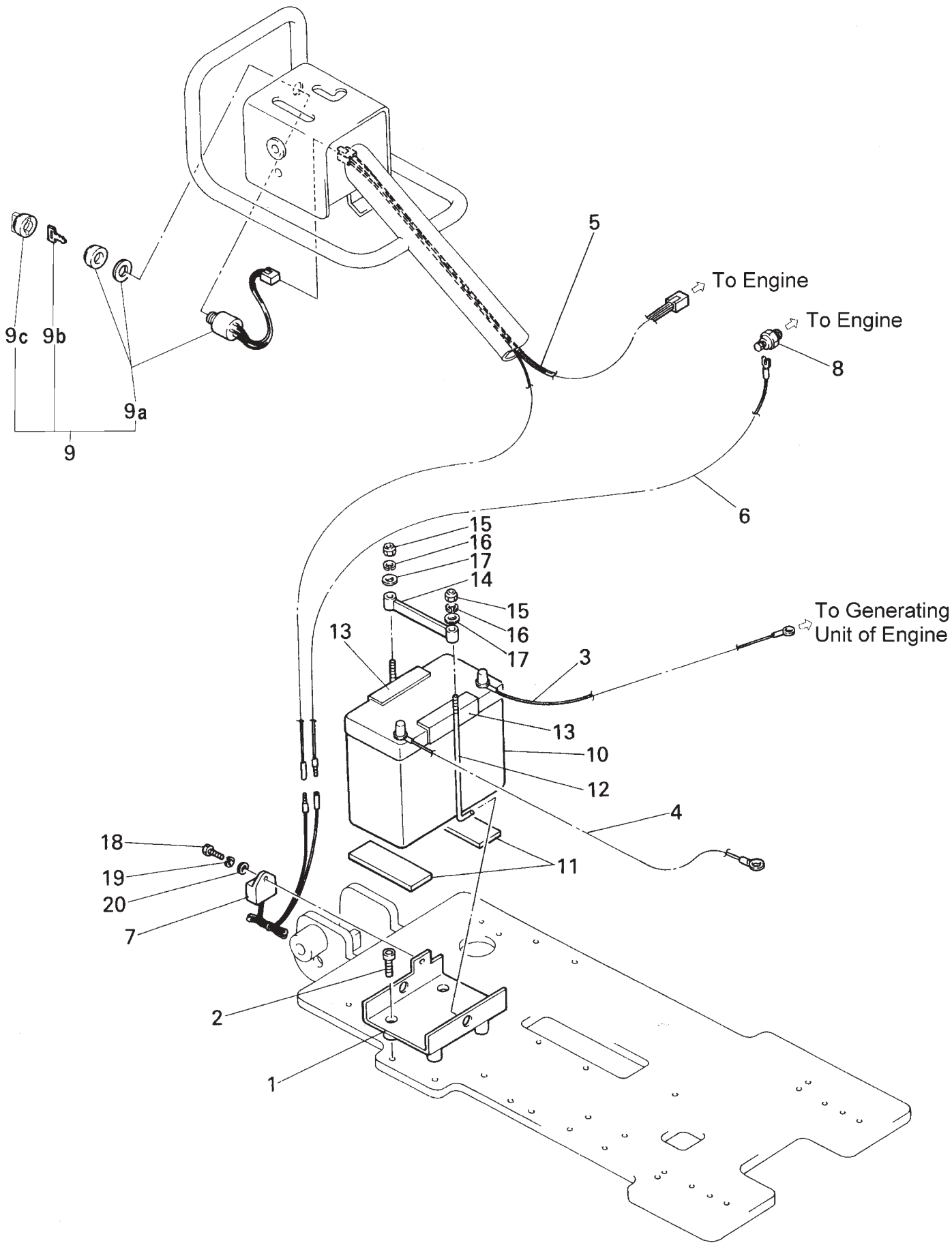


Ref. Part No. No.	Description	Désignation	Descripción	Qty 650	750
1 919-99948	Handle	Guidon	Manillar	1	
1 919-99949	Handle	Guidon	Manillar		1
2 919-99965	Support	Support	Dispos.de sostén	1	
3 919-99966	Arm	Bras	Brazo	1	
4 919-99967	Arm	Bras	Brazo	1	
5 919-99968	Bolt	Boulon	Perno	2	
6 2-0048	Spring	Ressort	Muelle	1	
7 9-8041	Bolt	Boulon	Perno	2	M8x16 8T
8 9-8039	Bolt	Boulon	Perno	6	M8x20 8T
9 9-8040	Bolt	Boulon	Perno	2	M8x45 8T
10 4-8003	Washer	Rondelle	Arandela	1	M8
11 4-8001	Washer	Rondelle	Arandela	2	M8
12 8-8003	Nut	Ecrou	Tuerca	6	M8
13 919-99959	Support	Support	Dispos.de sostén	1	1
14 919-99961	Rod	Trigle	Varilla	1	1
15 919-99506	Bracket	Support Fixation	Soporte	1	1
16 919-99963	Plunger	Plongeur	Embolo	1	1
17 8-10001	Nut	Ecrou	Tuerca	1	1
18 919-99960	Plate	Plaque	Plato	1	1
19 3-1013	Ring	Anneau	Anillo	1	1
20 9-8041	Bolt	Boulon	Perno	3	3
21 4-8003	Washer	Rondelle	Arandela	3	3



(CORRECT AT 05/05)

Ref. Part No.	Part No.	Description	Descrição	Omschrijving	Qty 650	Qty 750
1	919-99948	Handle	Alavanca	Hendel	1	
1	919-99949	Handle	Alavanca	Hendel		1
2	919-99965	Support	Suporte	Steun	1	
3	919-99966	Arm	Braço	Arm	1	
4	919-99967	Arm	Braço	Arm	1	
5	919-99968	Bolt	Perno	Bout	2	
6	2-0048	Spring	Mola	Veer	1	
7	9-8041	Bolt	Perno	Bout	2	
8	9-8039	Bolt	Perno	Bout	6	
9	9-8040	Bolt	Perno	Bout	2	
10	4-8003	Washer	Anilha	Afdichtring	1	
11	4-8001	Washer	Anilha	Afdichtring	2	
12	8-8003	Nut	Porca	Moer	6	
13	919-99959	Support	Suporte	Steun	1	1
14	919-99961	Rod	Biele	Staaf	1	1
15	919-99506	Bracket	Suporte	Steun	1	1
16	919-99963	Plunger	Embolo	Dompelaar	1	1
17	8-10001	Nut	Porca	Moer	1	1
18	919-99960	Plate	Placa	Plat	1	1
19	3-1013	Ring	Anel	Ring	1	1
20	9-8041	Bolt	Perno	Bout	3	3
21	4-8003	Washer	Anilha	Afdichtring	3	3



Ref. Part No. No.	Description	Désignation	Descripción	Qty
1	919-99969	Battery Holder	Support de Batterie	1
2	9-10026	Bolt	Boulon	4
3	71-0219	Cable - Positive	Câble - Positif	1
4	71-0220	Cable - Earth	Câble - De Terre	1
5	71-0221	Harness	Faisceau	1
6	71-0222	Cable	Câble	1
7	70-0219	Buzzer	Signal	1
8	70-0218	Switch	Bouton	1
9	70-0220	Switch	Bouton	1
9a	919-99507	Switch	Bouton	1
9b	919-99508	Key	Clavette	1
9c	919-99509	Cover	Couvercle	1
10	70-0221	Battery	Batterie	1
11	919-99970	Rubber Isolator	Isolateur en caoutchouc	2
12	919-99971	Bolt	Boulon	2
13	919-99972	Plate	Plaque	2
14	919-99973	Battery Holder	Support de Batterie	1
15	8/8008	Nut	Ecrou	2
16	4-8003	Washer	Rondelle	2
17	4/8001	Washer	Rondelle	2
18	9-5007	Bolt	Boulon	1
19	4-5003	Washer	Rondelle	1
20	4-5001	Washer	Rondelle	1

M10x40

(Kubota)

M8

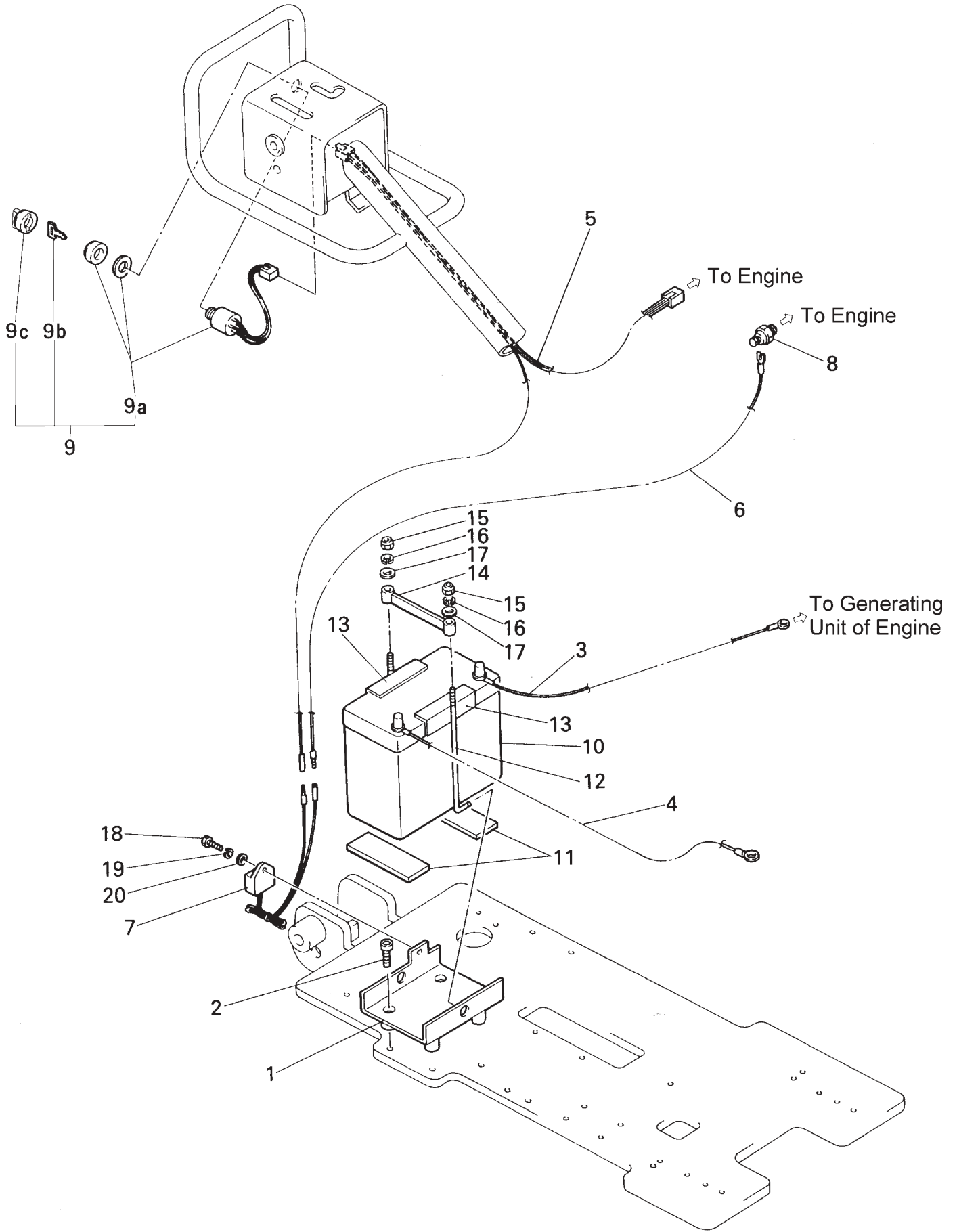
M8

M8

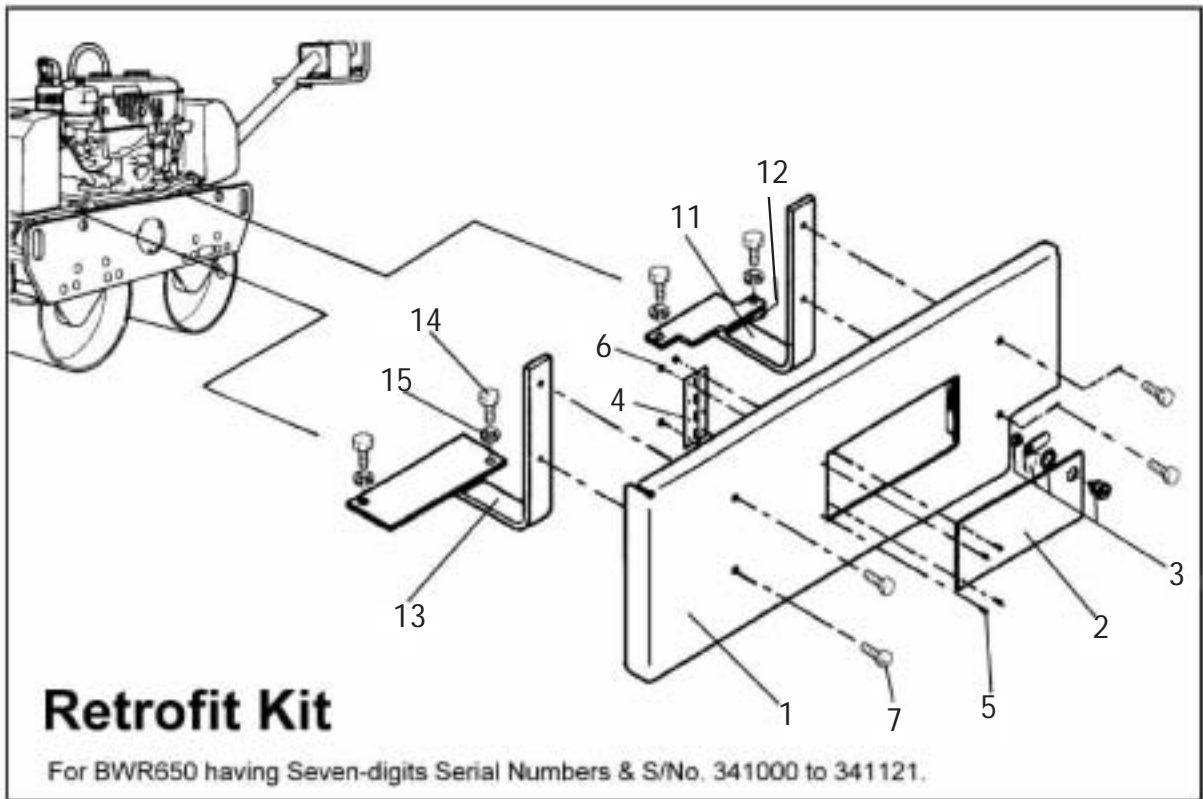
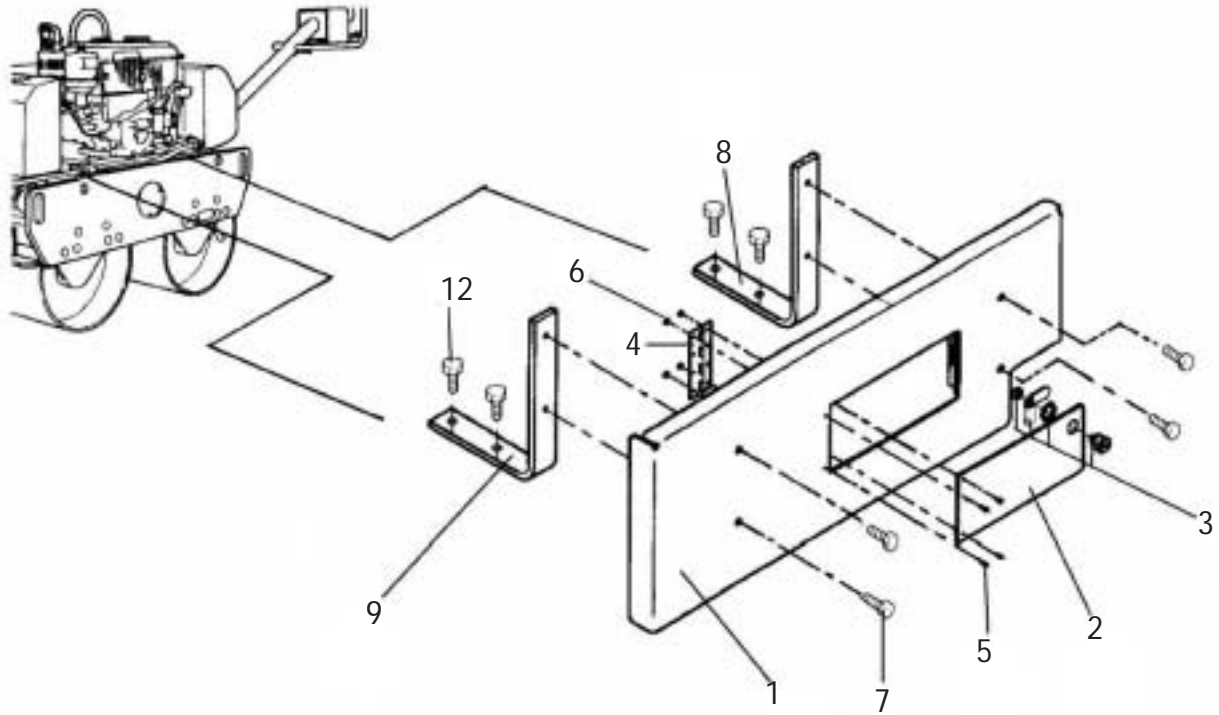
M5x10, 4T

M5

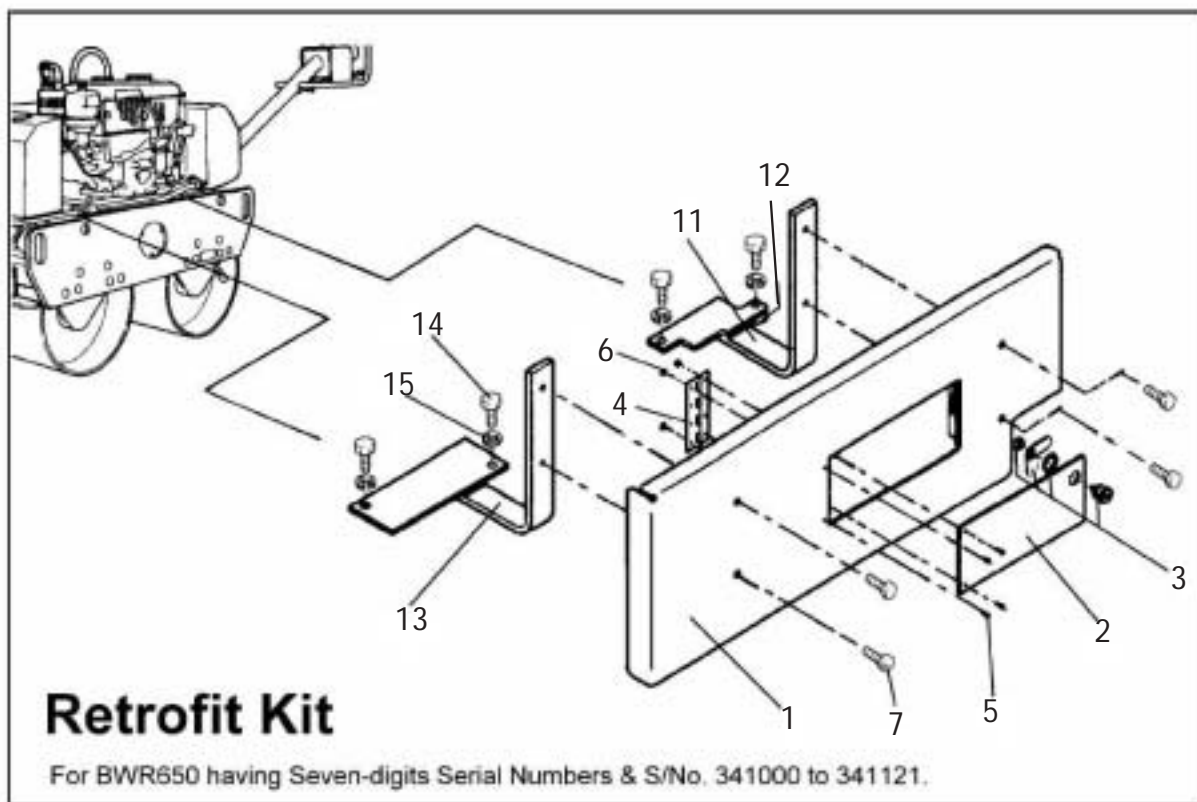
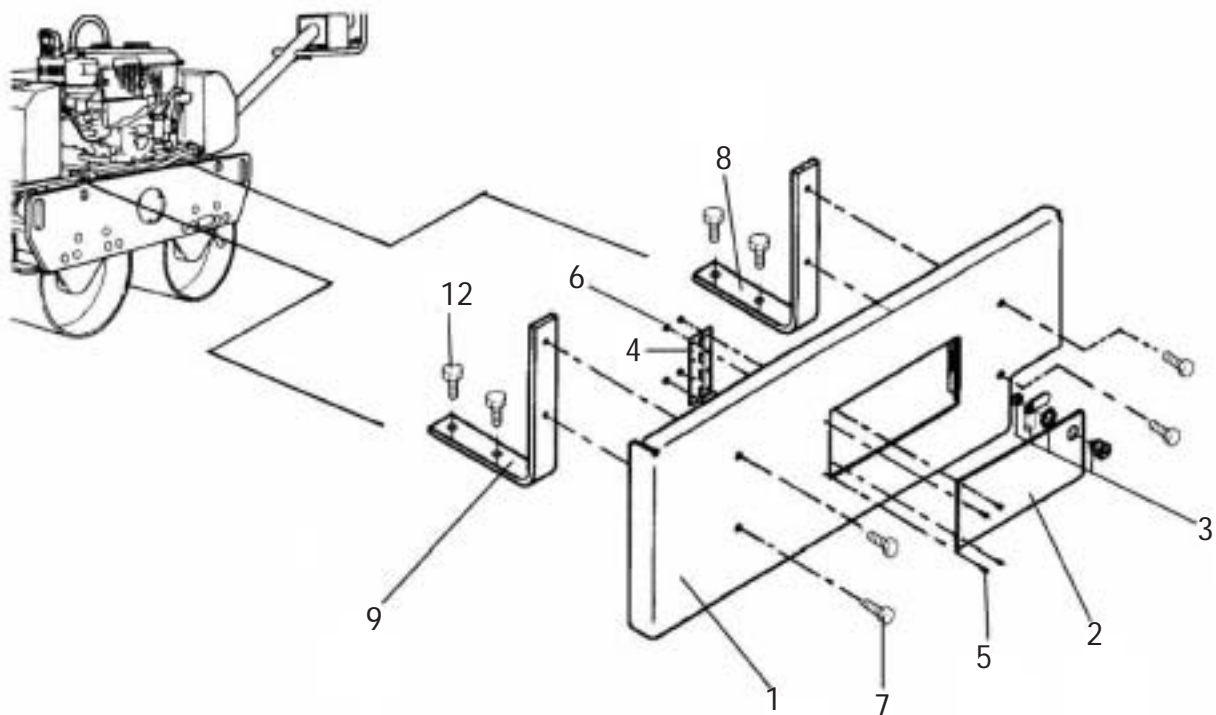
M5



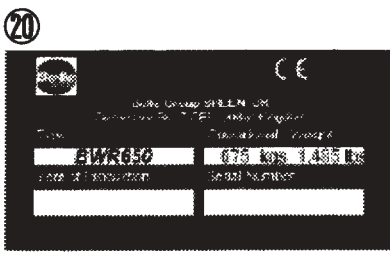
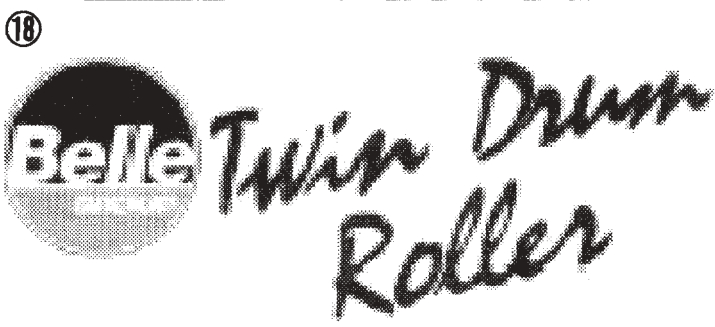
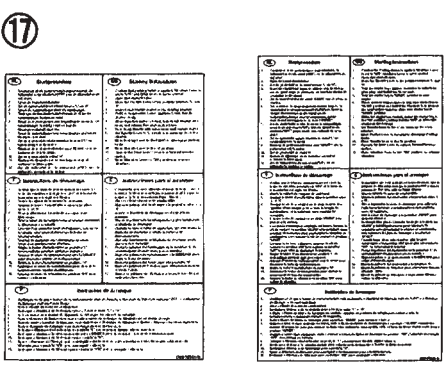
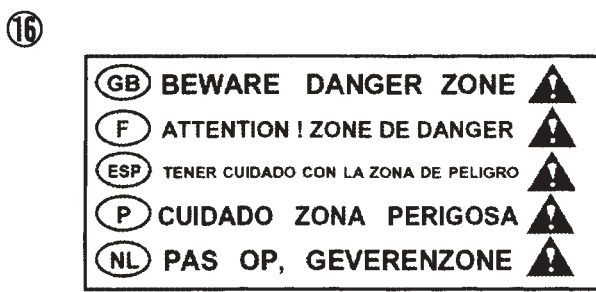
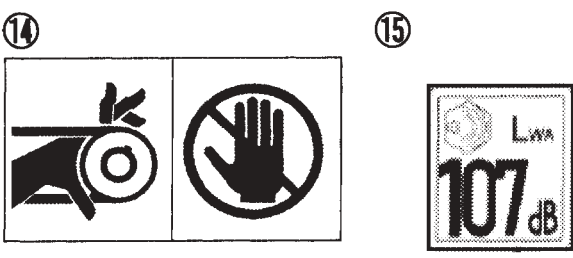
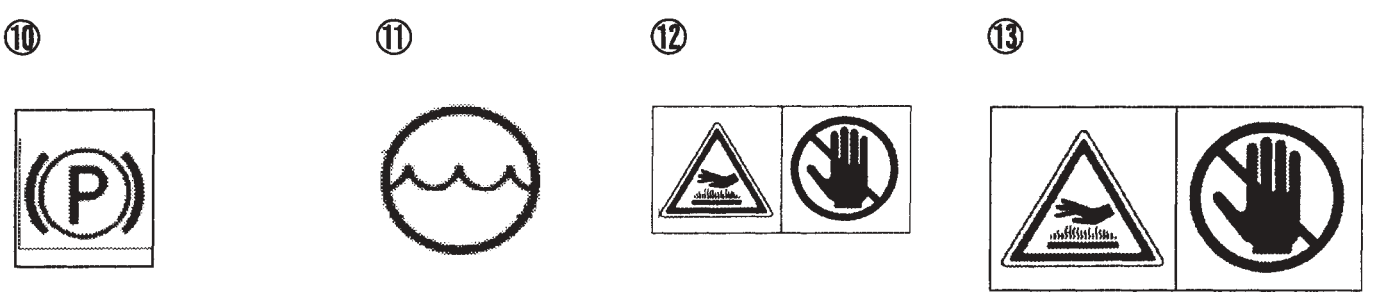
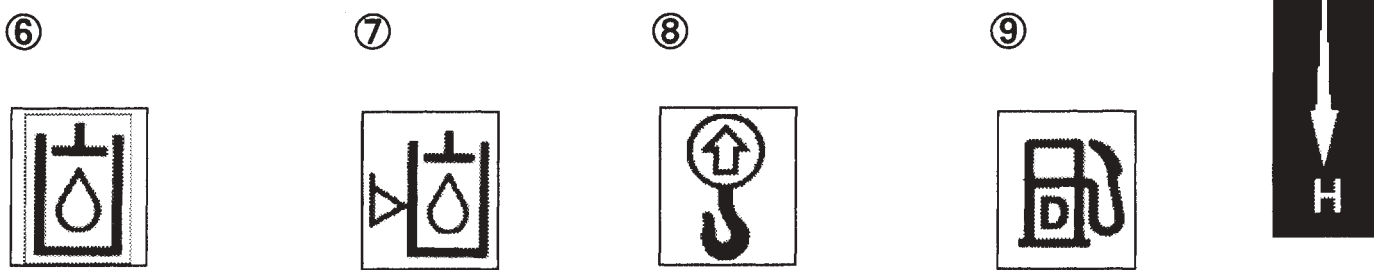
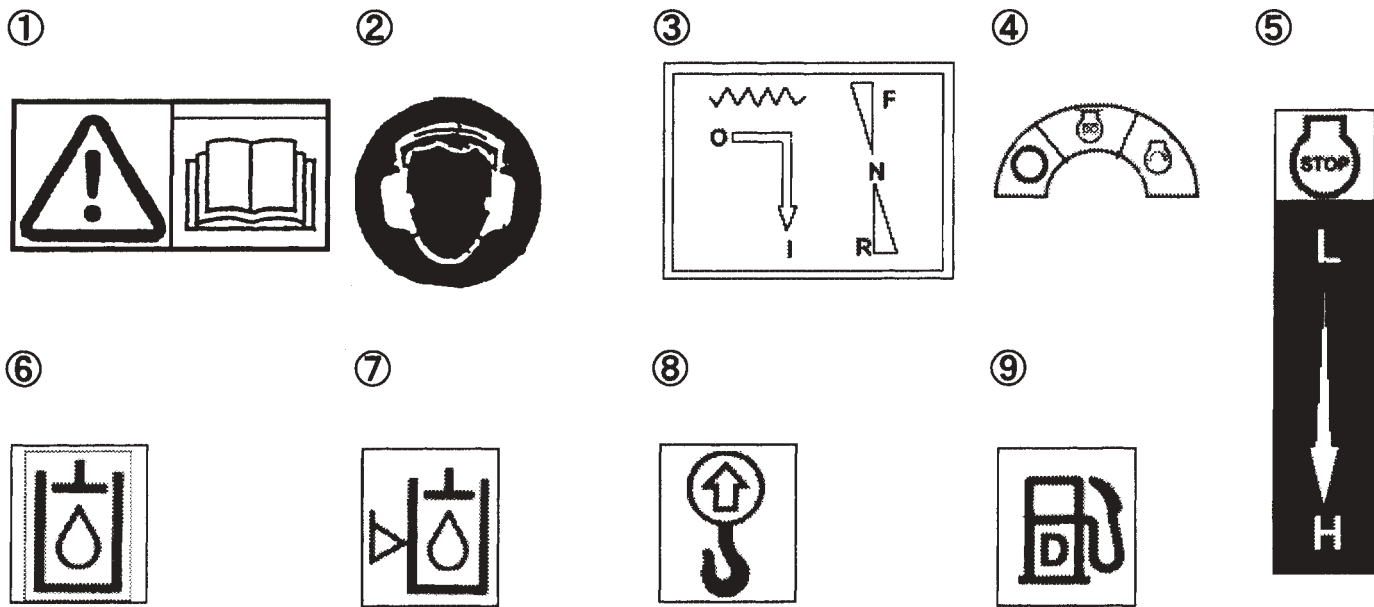
Ref. Part No. No.	Description	Descrição	Omschrijving	Qty	
1	919-99969	Battery Holder	Suporte da Bateria	Accu Houder	1
2	9-10026	Bolt	Perno	Bout	4
3	71-0219	Cable - Positive	Cabo - Positivo	Kabel - Positief	1
4	71-0220	Cable - Earth	Cabo - Terra	Kabel - Aarde	1
5	71-0221	Harness	Arnês	Bedrading	1
6	71-0222	Cable	Cabo	Kabel	1
7	70-0219	Buzzer	Vibrador	Zoemer	1
8	70-0218	Switch	Chave	Shakelaar	1
9	70-0220	Switch	Chave	Shakelaar	1
9a	919-99507	Switch	Chave	Shakelaar	1
9b	919-99508	Key	Chave	Spie	1
9c	919-99509	Cover	Tampa	Voordeksel	1
10	70-0221	Battery	Bateria	Accu	1
11	919-99970	Rubber Isolator	Vedante de Borracha	Rubberen isolator	2
12	919-99971	Bolt	Perno	Bout	2
13	919-99972	Plate	Placa	Plaat	2
14	919-99973	Battery Holder	Suporte da Bateria	Accu Houder	1
15	8-8008	Nut	Porca	Moer	2
16	4-8003	Washer	Anilha	Afdichtring	2
17	4-8001	Washer	Anilha	Afdichtring	2
18	9-5007	Bolt	Perno	Bout	1
19	4-5003	Washer	Anilha	Afdichtring	1
20	4-5001	Washer	Anilha	Afdichtring	1



Ref. Part No. No.	Description	Descrição	Omschrijving	Qty 650	Qty 750
1 919-99801	Plate	Plaque	Placa	1	
2 919-99802	Door	Porte	Puerta	1	
3 73-0047	Lock	Serrure	Cierre	1	
4 73-0048	Hinge	Charnière	Bisagra	1	
5 7-3812	Screw	Vis	Tornillo	4	
6 8-3001	Nut	Ecrou	Tuerca	4	
7 9-8045	Bolt	Boulon	Perno	4	
8 919-99810	Bracket	Patte de montage	Escuadra	1	
9 919-99811	Bracket	Patte de montage	Escuadra	1	
10 9-10022	Bolt	Boulon	Perno	4	
11 919-00200	Bracket	Patte de montage	Escuadra	1	
12 4-3004	Washer	Rondelle	Arandela	1	
13 919-00101	Bracket	Patte de montage	Escuadra	1	
14 9-10025	Bolt	Boulon	Perno	4	
15 4-1003	Washer	Rondelle	Arandela	4	



Ref. Part No. No.	Description	Descrição	Omschrijving	Qty 650	Qty 750
1 919-99801	Plate	Placa	Plaat	1	
2 919-99802	Door	Porta	Deur	1	
3 73-0047	Lock	Fechadura	Slot	1	
4 73-0048	Hinge	Dobradiça	Scharnier	1	
5 7-3812	Screw	Parafuso	Schroef	4	
6 8-3001	Nut	Porca	Moer	4	
7 9-8045	Bolt	Perno	Bout	4	
8 919-99810	Bracket	Suporte	Steun	1	
9 919-99811	Bracket	Suporte	Steun	1	
10 9-10022	Bolt	Perno	Bout	4	
11 919-00200	Bracket	Suporte	Steun	1	
12 4-3004	Washer	Anilha	Afdichtring	1	
13 919-00101	Bracket	Suporte	Steun	1	
14 9-10025	Bolt	Perno	Bout	4	
15 4-1003	Washer	Anilha	Afdichtring	4	



Ref. Part No. No.	Description	Désignation	Descripción	Qty 650	Qty 750
1 800-99990	Decal	Autocollant	Rótulo	1	1
2 800-99991	Decal	Autocollant	Rótulo	1	1
3 800-99992	Decal	Autocollant	Rótulo	1	1
4 800-99993	Decal	Autocollant	Rótulo	1	
5 800-99994	Decal	Autocollant	Rótulo	1	1
6 800-99995	Decal	Autocollant	Rótulo	1	1
7 800-99996	Decal	Autocollant	Rótulo	1	1
8 840-01700	Decal	Autocollant	Rótulo	1	1
9 800-10430	Decal	Autocollant	Rótulo	1	1
10 800-99997	Decal	Autocollant	Rótulo	1	1
11 800-99998	Decal	Autocollant	Rótulo	1	1
12 800-99999	Decal	Autocollant	Rótulo	1	1
13 800-99801	Decal	Autocollant	Rótulo	1	1
14 800-99802	Decal	Autocollant	Rótulo	1	1
15 800-99942	Decal	Autocollant	Rótulo	1	1
16 800-21310	Decal	Autocollant	Rótulo	1	1
17 800-99944	Decal	Autocollant	Rótulo		
17 800-99945	Decal	Autocollant	Rótulo		1
18 800-99969	Decal	Autocollant	Rótulo	1	1
19 800-99967	Decal	Autocollant	Rótulo	1	
19 800-99968	Decal	Autocollant	Rótulo	1	
20 800-99803	Decal	Autocollant	Rótulo	1	
20 800-99804	Decal	Autocollant	Rótulo		1

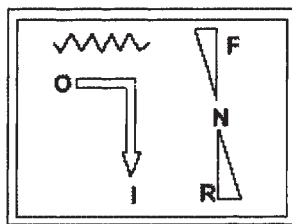
①



②



③



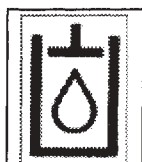
④



⑤



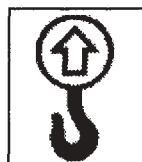
⑥



⑦



⑧



⑨



⑩



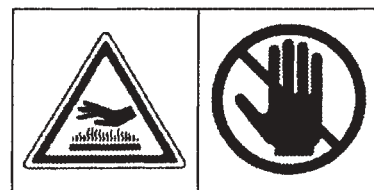
⑪



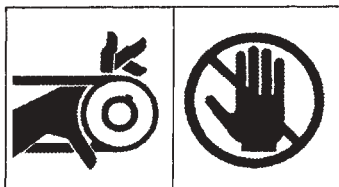
⑫



⑬



⑭



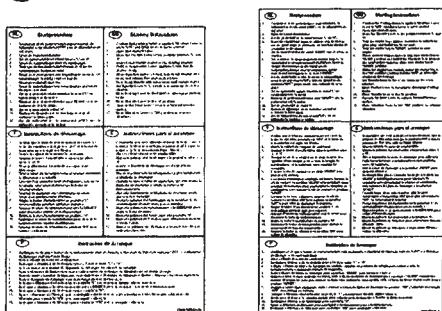
⑮



⑯

(GB)	BEWARE DANGER ZONE	⚠
(F)	ATTENTION ! ZONE DE DANGER	⚠
(ESP)	TENER CUIDADO CON LA ZONA DE PELIGRO	⚠
(P)	CUIDADO ZONA PERIGOSA	⚠
(NL)	PAS OP, GEVERENZONE	⚠

⑰



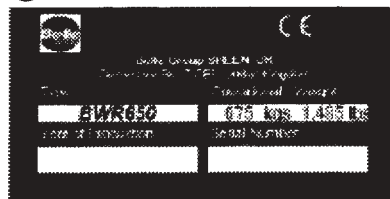
⑱



⑲



⑳



Ref. Part No. No.	Description	Descrição	Omschrijving	Qty 650	Qty 750
1 800-99990	Decal	Decalque	Label	1	1
2 800-99991	Decal	Decalque	Label	1	1
3 800-99992	Decal	Decalque	Label	1	1
4 800-99993	Decal	Decalque	Label	1	
5 800-99994	Decal	Decalque	Label	1	1
6 800-99995	Decal	Decalque	Label	1	1
7 800-99996	Decal	Decalque	Label	1	1
8 840-01700	Decal	Decalque	Label	1	1
9 800-10430	Decal	Decalque	Label	1	1
10 800-99997	Decal	Decalque	Label	1	1
11 800-99998	Decal	Decalque	Label	1	1
12 800-99999	Decal	Decalque	Label	1	1
13 800-99801	Decal	Decalque	Label	1	1
14 800-99802	Decal	Decalque	Label	1	1
15 800-99942	Decal	Decalque	Label	1	1
16 800-21310	Decal	Decalque	Label	1	1
17 800-99944	Decal	Decalque	Label		
17 800-99945	Decal	Decalque	Label		1
18 800-99969	Decal	Decalque	Label	1	1
19 800-99967	Decal	Decalque	Label	1	
19 800-99968	Decal	Decalque	Label	1	
20 800-99803	Decal	Decalque	Label	1	
20 800-99804	Decal	Decalque	Label		1

