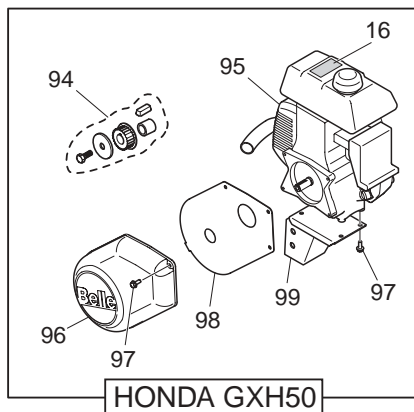
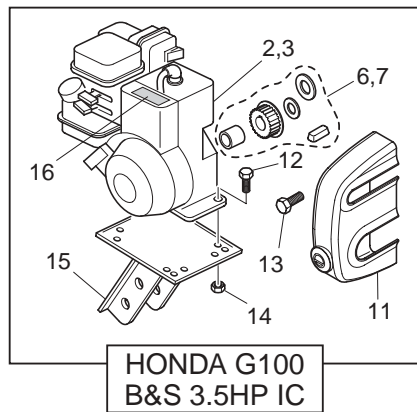
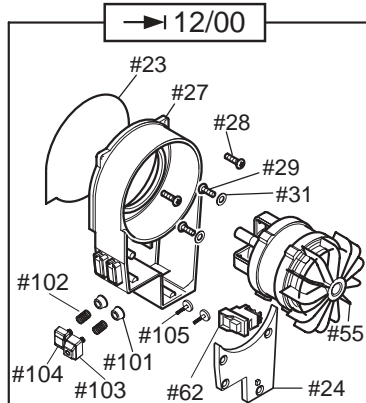
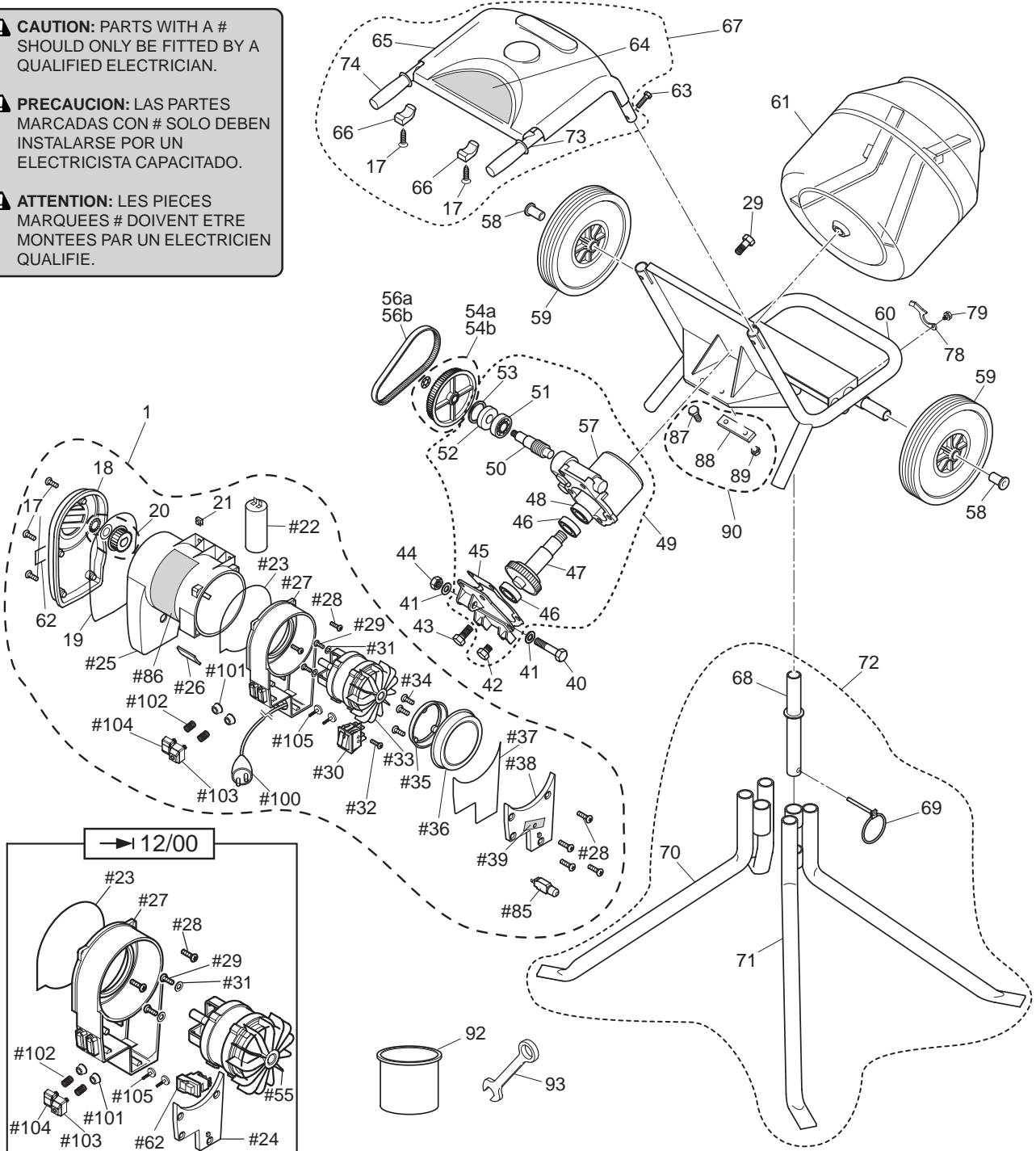


⚠ CAUTION: PARTS WITH A # SHOULD ONLY BE FITTED BY A QUALIFIED ELECTRICIAN.

⚠ PRECAUCION: LAS PARTES MARCADAS CON # SOLO DEBEN INSTALARSE POR UN ELECTRICISTA CAPACITADO.

⚠ ATTENTION: LES PIECES MARQUEES # DOIVENT ETRE MONTEES PAR UN ELECTRICIEN QUALIFIE.



854/10152/2 12/03 Multiquip SB4-A (UL) Page 1 of 4



MULTIQUIP SB4-A → 1/01

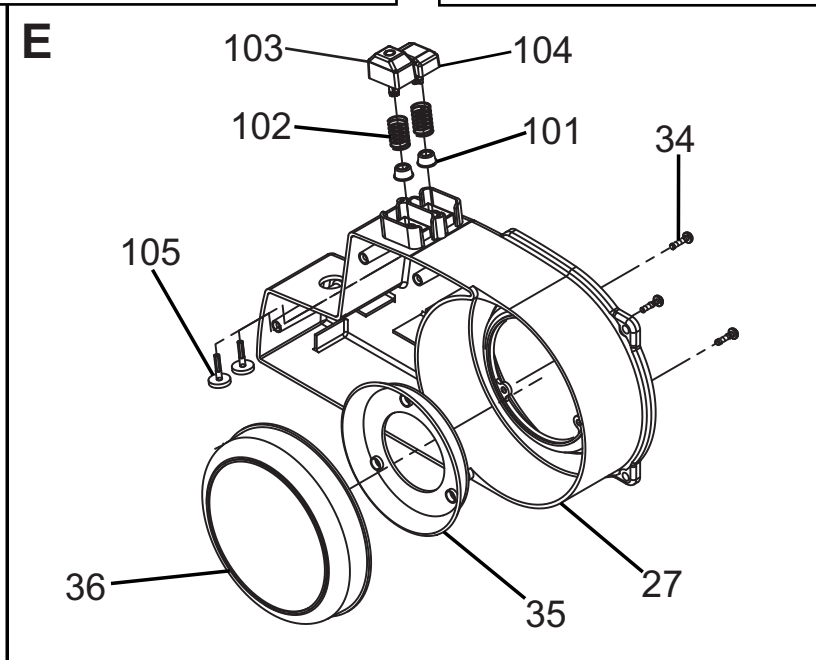
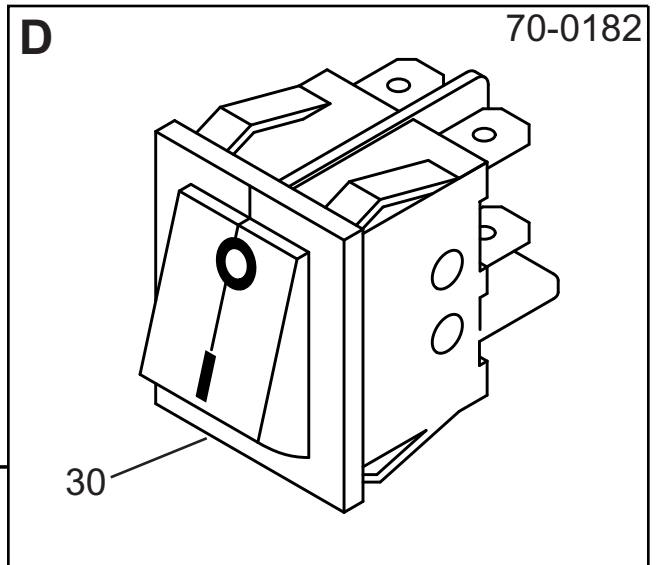
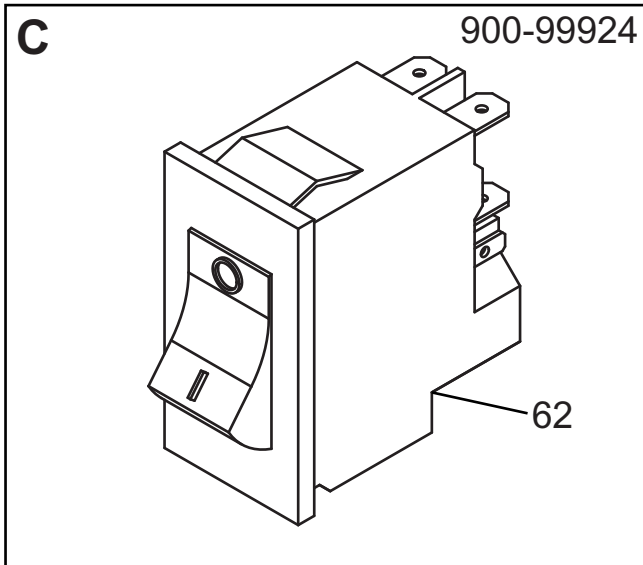
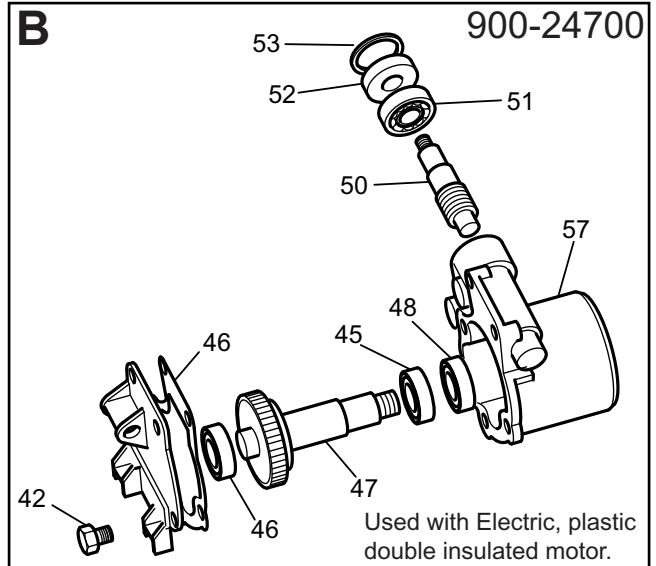
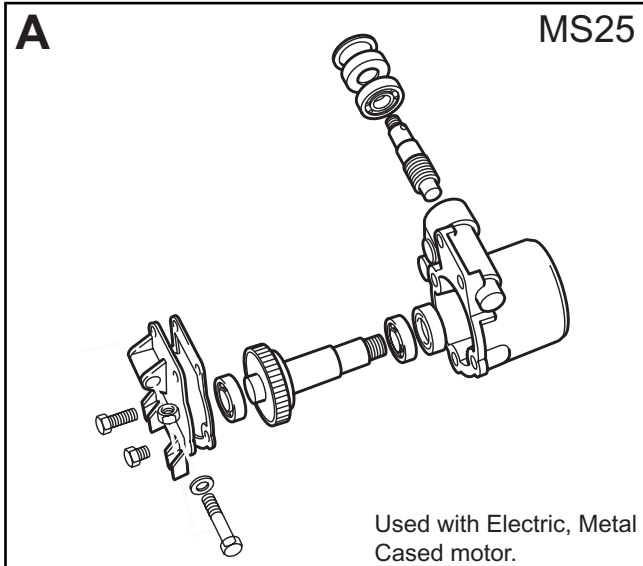


REPLACEMENT PARTS / PIECES DE RECHANGE / REPUESTOS

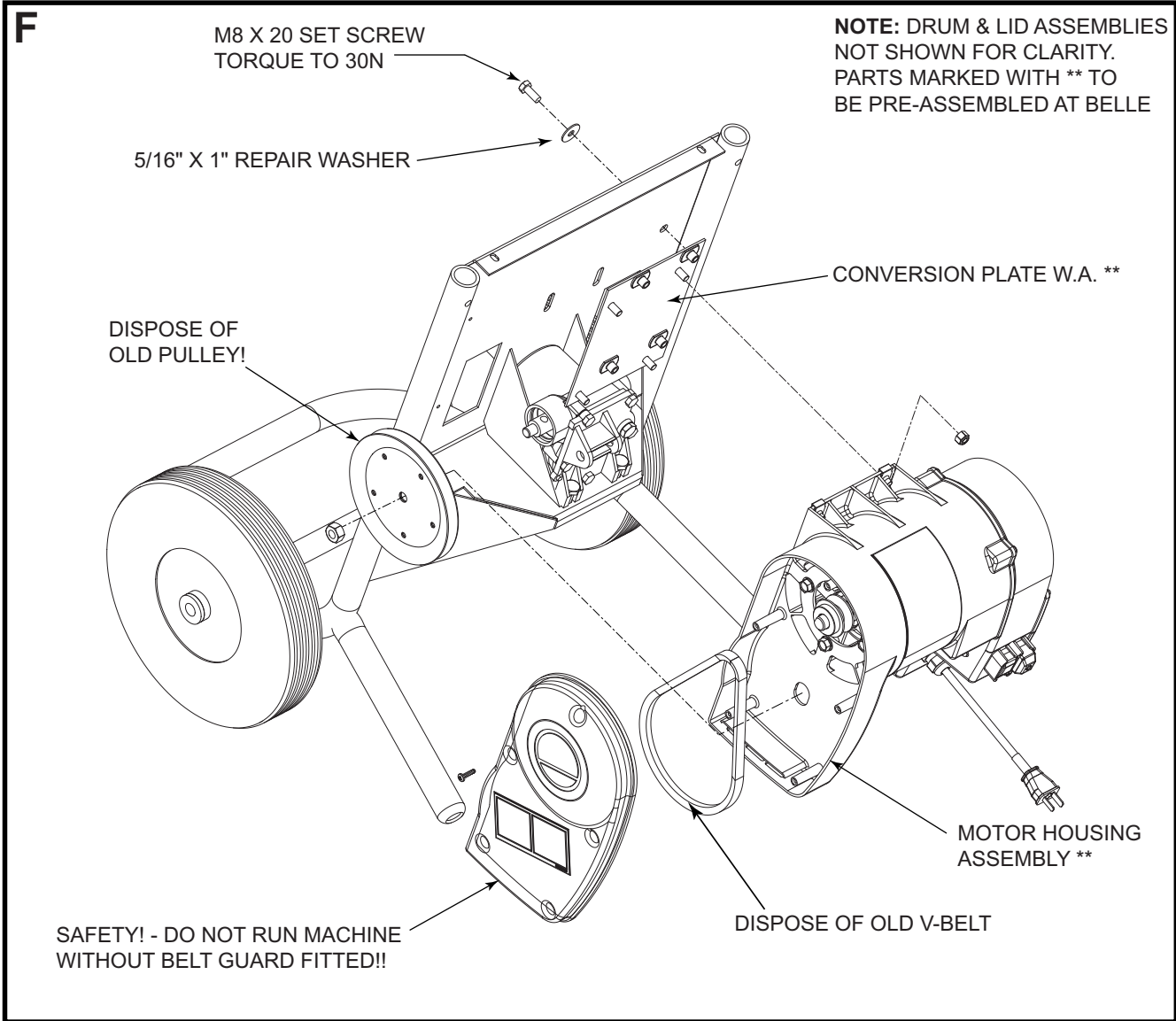
ITEM NUMBER ⁽¹⁾	PART NUMBER ⁽²⁾	DESCRIPTION ⁽³⁾	ITEM NUMBER ⁽¹⁾	PART NUMBER ⁽²⁾	DESCRIPTION ⁽³⁾
1	900-32800	MOTOR KIT 115V 60HZ (UL)	57	MS08	GEARCASE
↻Pg. 4	900-35200	MOTOR CONVERSION KIT	58	900-11400	WHEEL RETAINER
2	CMS19	ENGINE - BRIGGS 3.5HP IC	59	60-0286	WHEEL
3	MS15	ENGINE - HONDA G100	60	900-24800	MAINFRAME WA
4	-	-	61	CMS12	DRUM WA
5	-	-	62	900/99924	SWITCH NVR 115V - 60HZ (→SERIAL NO. M22B001629)
6	900-31000	ENGINE PULLEY KIT (BRIGGS)	63	9-8012	BOLT (M8 SPECIAL)
7	900-32600	ENGINE PULLEY KIT (HONDA G100)	64	800-21302	DECAL TOP COVER
8	-	-	65	900-99914	TOP COVER (MINIMIX)
9	-	-	66	900-99918	TOP COVER CLAMP
10	-	-	67	900-31900	TOP COVER ASSEMBLY (UL)
11	900-99927	BELT GUARD	68	900-26600	STAND ADAPTOR WA
12	9-8003	BOLT (M8 X 35)	69	3-1007	LINCH PIN
13	7-10002	SCREW (10 X 3/8")	70	900-17100	STAND LEG R/H WA (1 BOSS)
14	8-8001	NUT (M8)	71	900-17000	STAND LEG L/H WA (2 BOSS)
15A	900-33200	ENGINE DECK (HONDA G100)	72	900-26500	STAND ASSEMBLY
15B	900-33300	ENGINE DECK (BRIGGS)	73	900-25000	HANDLE WA
16	800-21322	DECAL HOT PARTS	74	XS35	HANDLE GRIP
17	7-5017	SCREW (5.5 X 25 PLASFAST)	75	-	-
18	900-27403	BELT GUARD (UL)	76	-	-
19	900-99907	BELT GUARD SEAL	77	-	-
20	900-29900	MOTOR PULLEY KIT	78	900-99911	STAND CLIP
21	8-8007	NUT (M8 LUG)	79	7-8045	TAPTITE (M8 X 12 FLANGED)
22	70-0150	CAPACITOR	80	-	-
23	900-99908	SWITCH HOUSING SEAL	81	-	-
24	900-27404	CAP SWITCH COVER (UL)	82	-	-
25	900-27401	MOTOR HOUSING (UL)	83	-	-
26	900-27405	CABLE COVER INSERT (UL)	84	-	-
27	900-32900	SWITCH ASSY (115V 60HZ)	85	70-0186	THERMAL OVERLOAD SWITCH
28	7-5016	SCREW (5.5 X 16 PLASFAST)	86	800-21270	DECAL MOTOR RATING (115V 60HZ)
29	7-8037	SET SCREW (M8 X 20 FLANGED)	87	9-10005	BOLT (M10 X 45)
30	70-0182	ON/OFF SWITCH (UL) (→SERIAL NO. M22B001630)	88	900-99931	PLATE GEARBOX SUPPORT (→ 4/02)
31	4-8008	WASHER (5/16" X 1")	89	8-10009	NUT (M10)
32	7-0009	SCREW (3.5 X 9.5 SELF-TAP)	90	900-32300	KIT GEARBOX SUPPORT PLATE (→ 4/02)
33	900-33100	MOTOR (115V 60HZ) (→SERIAL NO. M22B001630)	92	1-0519	PAINT - 1 LITRE TIN (ORANGE)
34	7-0008	SCREW (3.9 X 19 SELF-TAP)	93	900-20500	SPANNER (M8)
35	901-99941	INNER COVER SHIELD (UL)	94	900-36400	ENGINE PULLEY KIT (HONDA GXH50)
36	901-99942	OUTER COVER SHIELD (UL)	95	20-0031	ENGINE (HONDA GXH50)
37	900-99909	SWITCH COVER SEAL	96	900-99935	BELT GUARD (HONDA GXH50)
38	900-27406	SWITCH COVER	97	7-6034	BOLT (M6 X 16)
39	800-99902	DECAL THERMAL OVERLOAD SWITCH	98	900-99934	PLATE BELT GUARD (HONDA GXH50)
40	9-12005	BOLT (M12 X 70)	99	900-35300	ENGINE DECK (HONDA GXH50)
41	4-1205	WASHER (M12)	100	900-29600	CABLE ASSY (US PLUG)
42	MS12	FILLER BUNG	101	70-0161	SWITCH RUBBER INSERT
43	7-8003	SET SCREW (M8 X 25 SQ FLOW)	102	70-0160	BUTTON SPRING
44	8-12002	NUT (M12)	103	70-0157	BUTTON OFF (RED)
45	MS11	GEARBOX GASKET	104	70-0156	BUTTON ON (GREEN)
46	CMS10	BEARING (6006)	105	70-0167	SWITCH INSERT
47	MS09	DRUM SHAFT			
48	CMS11	OILSEAL (B407)			
49	900-24700	GEARBOX ASSEMBLY (→MX22141526)			
	MS25	GEARBOX ASSEMBLY (→SERIAL NO. M22B001629)			
50	900-24701	WORMSHAFT			
51	PS013	BEARING (6004)			
52	CMS41	OILSEAL			
53	MS22	CIRCLIP			
54	900-31600	G/BOX PULLEY KIT (ELEC / GXH50)			
	900-30000	G/BOX PULLEY KIT (G100 / BRIGGS) (→SERIAL NO. M22B000000)			
	CMS39	ASSEMBLY MINI PULLEY (→SERIAL NO. M22B001629)			
55	900/26900	MOTOR (115V 60HZ) (→SERIAL NO. M22B000000) (→SERIAL NO. M22B001629)			
56	900-99926	BELT (ELEC / GXH50)			
	900-99915	BELT(G100 / BRIGGS) (→SERIAL NO. M22B000000)			
	900-15400	BELT (V - A23) (→SERIAL NO. M22B001629)			

1) ITEM NUMBER: NUMERO DE L'ARTICLE / NÚMERO DE ELEMENTO
2) PART NUMBER: NUMERO DE LA PIECE / NÚMERO DE PIEZA
3) DESCRIPTION: DÉSIGNATION / DESCRIPCIÓN

Belle Group reserves the right to alter details and specification without notice



CONVERSION KIT FROM METAL CASING TO DOUBLE INSULATED MOTOR



REF	PART NO.	DESCRIPTION	WHEN USED	STATUS
A	MS25	Gearbox Assembly	Up To Dec '99	Spares Only
B	900-24700	Gearbox Assembly	From Jan '00	Current Production
C	900-99924	Switch NVR 115V-60Hz	Up To Dec '99	Spares Only
D	70-0182	On/Off Switch (UL)	From Jan '00	Current Production
E	-	Switch Housing Diagram	-	Current Production
F	900-32500	Metal Cased Electric Motor Conversion Kit	May '01	Current Production

854/1015/1/2 12/03 MINIMIX 150 UL UPDATES 4 of 4