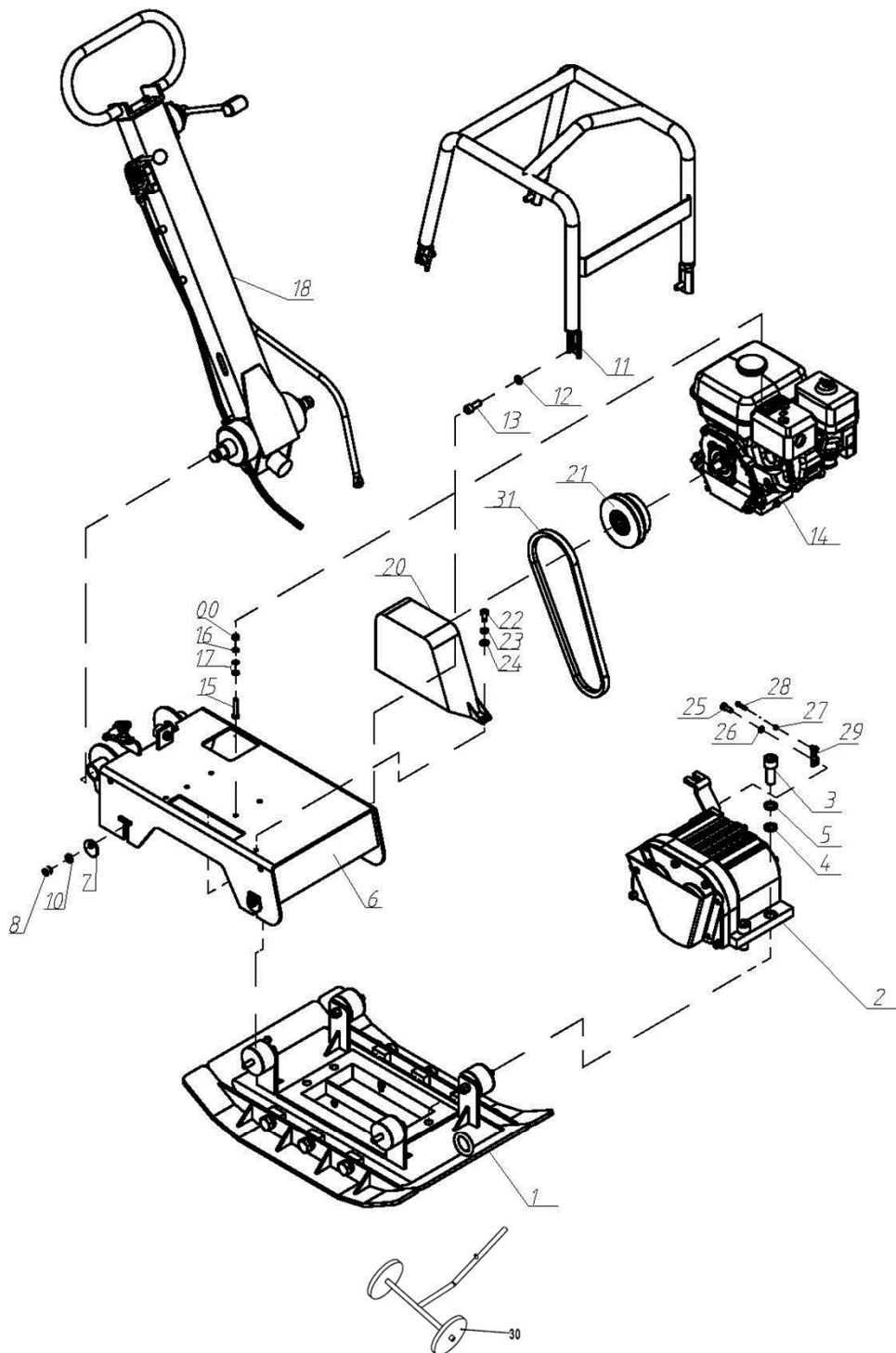




# PARTS MANUAL REVERSIBLE PLATE COMPACTOR MS 125/MSH160/MSH160E/MS 250





MS125 MSH160 & MSH160E MS250 PARTS LIST 1

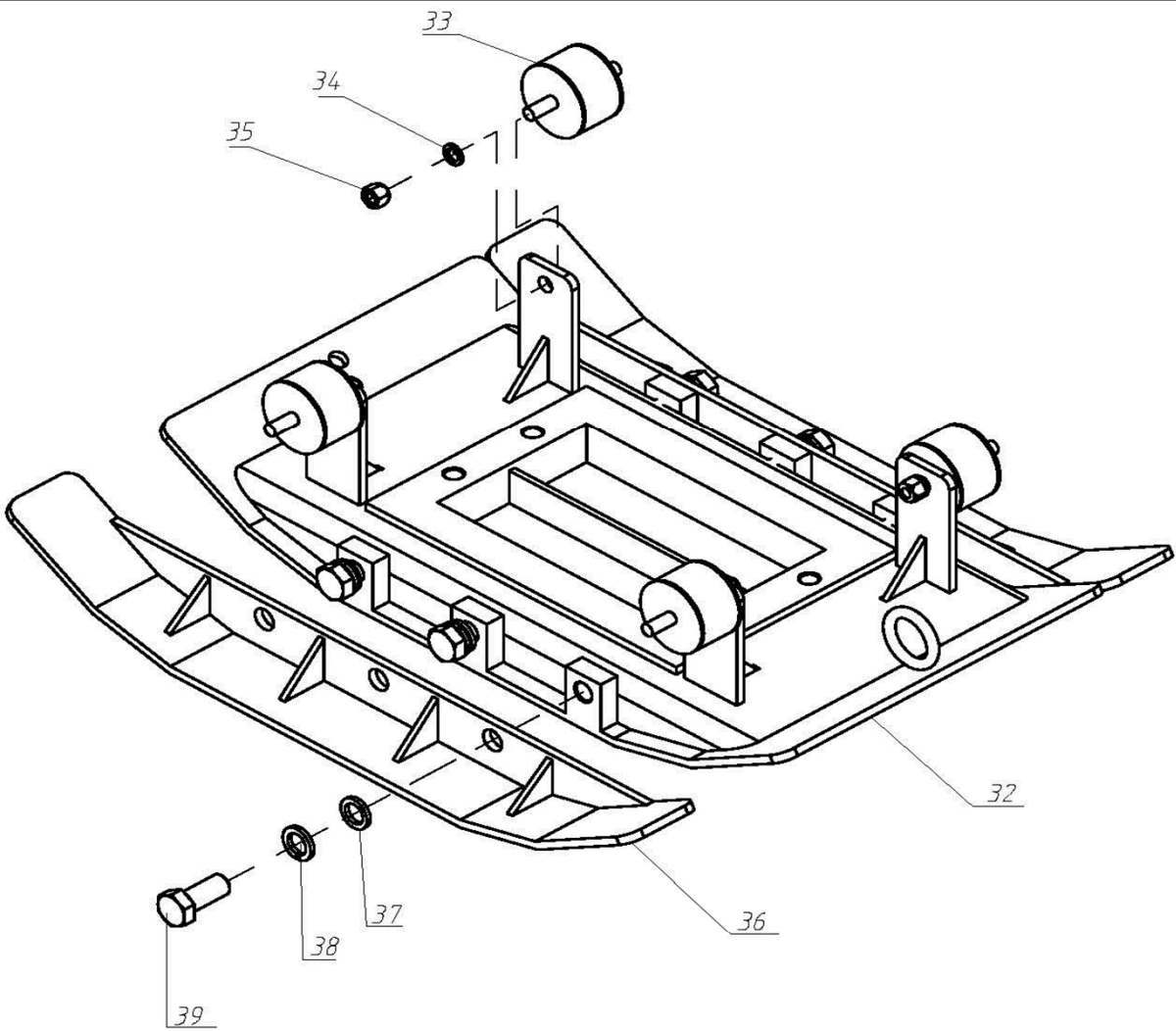
## MS125 MSH160 MSH160E & MS250 PARTS LIST 1

ITEM NO	PART NO	DESCRIPTION	QTY	REMARK
1	3001000-1	BASE PLATE ASSEMBLY FOR MSH160	1	
	3001000-2	BASE PLATE ASSEMBLY FOR MSH160E	1	
	3001000-3	BASE PLATE ASSEMBLY FOR MS125	1	
	3001000-4	BASE PLATE ASSEMBLY FOR MS250	1	
2	3002000	VIBRATION BOX FOR MSH160 & MSH160E	1	
	3002000-2	VIBRATION BOX FOR MS125	1	
	3002000-3	VIBRATION BOX FOR MS250	1	
3	0700018-50	BOLT M18 x 50-GB70	4	
5	0930018	SPRING WAHSER18-GB93	4	
6	3003000-A	ENGINE MOUNTING PLATE FOR MSH160 & MSH160E	1	
	3003000-2A	ENGINE MOUNTING PLATE FOR MS125	1	
	3003000-3A	ENGINE MOUNTING PLATE FOR MS250	1	
7	3004000	ADJUSTING PLATE	4	
8	0410012	NUT12-GB41	4	
10	0930012	SPRING WAHSER 12-GB93	4	
11	3005000	FRAME ASSEMBLY	1	
	3005000-1	FRAME ASSEMBLY	1	
	3005000-A	FRAME ASSEMBLY	1	
	3005000-A-1	FRAME ASSEMBLY	1	
12	0700012-30	BOLT M12 x 30-GB70	4	
13	0930012	SPRING WASHER12-GB93	4	
14	3000001-1	DIESEL ENGINE	1	
	3000001-2	HONDA ENGINE	1	
	3000001-3	ROBIN ENGINE	1	
15	0700010-45	BOLT M10 x 45-GB70	4	
16	0930010	SPRING WASHER10-GB93	4	
17	0970010	WASHER10-GB97.1	8	
18	3006000	HANDLE ASSEMBLY FOR MSH160 & MSH160E	1	
	3006000-2	HANDLE ASSEMBLY FOR MS125	1	
	3006000-3	HANDLE ASSEMBLY FOR MS250	1	

TO BE CONTINUED

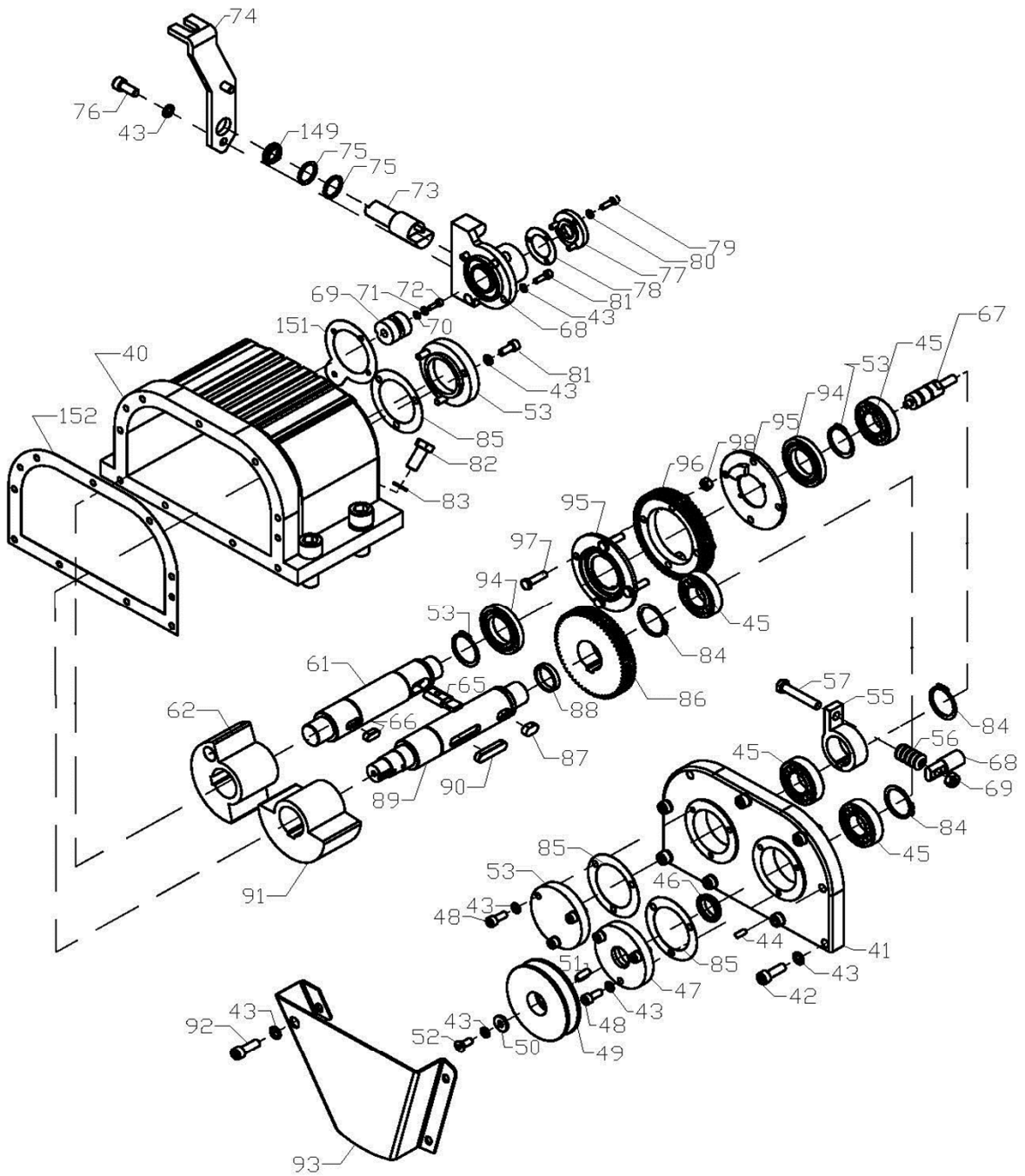
## MS125 MSH160 MSH160E & MS250 PARTS LIST 1

ITEM NO	PART NO	DESCRIPTION	QTY	REMARK
20	3007000	BELT GUARD FOR PETROL ENGINE FOR MS125 & MSH160 & MSH160E	1	
	3007000-1	BELT GUARD FOR DIESEL ENGINE FOR MS125 & MSH160 & MSH160E	1	
	3007000-A	BELT GUARD FOR PETROL ENGINE FOR MS250	1	
	3007000-A-1	BELT GUARD FOR DIESEL ENGINE FOR MS250	1	
21	3008000-1	ENGINE PULLEY FOR DIESEL	1	
	3008000-2	ENGINE PULLEY FOR HONDA	1	
	3008000-3	ENGINE PULLEY FOR ROBIN	1	
22	0700008-16	BOLT M8*16-GB70	2	
23	0930008	SPRING WASHER6-GB93	2	
24	0970008	WASHER6-GB97.1	2	
25	0700006-20	BOLT M8 x 20-GB70	1	
26	0930008	SPRING WASHER8-GB93	1	
28	0700008-20	BOLT M6 x 20-GB70	1	
29	3009000	SPRING	1	
30	3010000	TROLLEY WHEEL	1	
31	3011000-1	V-BELT FOR DIESEL ENGINE FOR MSH160 & MSH160E	1	
	3011000-2	V-BELT FOR PETROL ENGINE FOR MSH160 & MSH160E	1	
	3011000-3	V-BELT FOR DIESEL ENGINE FOR MS125	1	
	3011000-4	V-BELT FOR PETROL ENGINE FOR MS125	1	
	3011000-5	V-BELT FOR DIESEL ENGINE FOR MS250	1	
	3011000-6	V-BELT FOR PETROL ENGINE FOR MS250	1	



**MS125 MSH160 MSH160E & MS250 PARTS LIST 2**

ITEM NO	PART NO	DESCRIPTION	QTY	REMARK
32	3001001	BASE PLATE FOR MSH160	1	
	3001001-1	BASE PLATE FOR MSH160	1	
	3001001-1	BASE PLATE FOR MSH160	1	
	3001001-2	BASE PLATE FOR MSH160E	1	
	3001001-3	BASE PLATE FOR MS125	1	
	3001001-4	BASE PLATE FOR MS250	1	
33	3001002	VIBRATION DAMPER FOR MS125	4	
	3001002-1	VIBRATION DAMPER FOR MSH160	4	
	3001002-2	VIBRATION DAMPER FOR MS250	4	
34	0970012	WASHER12-GB97	4	
35	0617012	NUT M12-GB6170	4	
36	3001003	EXTENSION PLATE (MSH160E ONLY)	2	
	3001003	EXTENSION PLATE (MS250)	2	
37	0970020	WASHER-GB97 (MSH160E ONLY)	6	
38	0930020	SPRING WASHER-GB93 (MSH160E ONLY)	6	
39	0578020	BOLT M20X50-GB5783 (MSH160E ONLY)	6	
	0578020-1	BOLT M16X50-GB5783 (MS250)	6	



MS125 MSH160 & MSH160E MS250 PARTS LIST 3

## MS125 MSH160 MSH160E & MS250 PARTS LIST 3

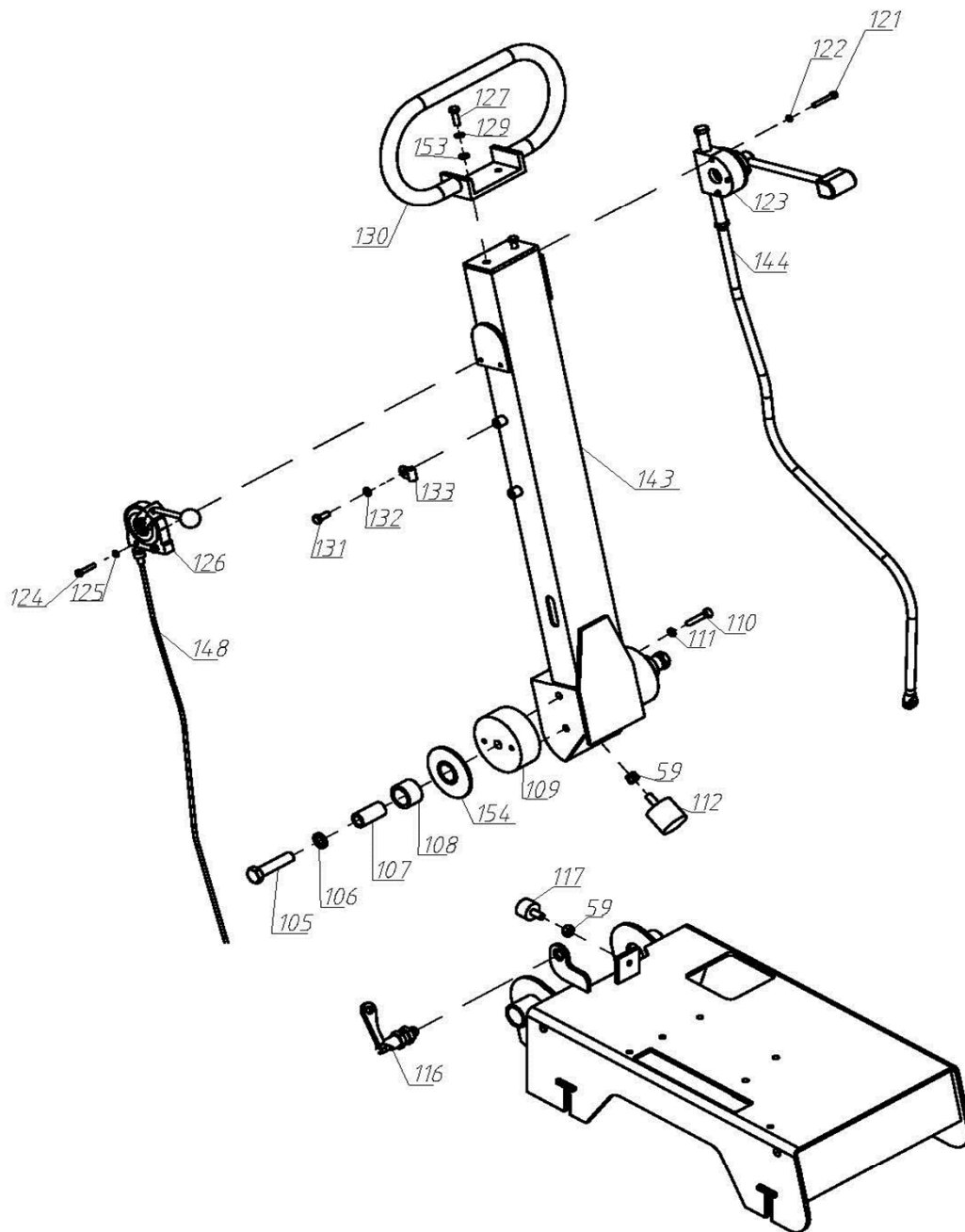
ITEM NO	PART NO	DESCRIPTION	QTY	REMARK
40	3002001	EXCITER BOX FOR MSH160 & MSH160E&MS250	1	40 & 41 FOR THE COMPONENT
	3002001-2	EXCITER BOX FOR MS125	1	
41	3002002	BOX COVER	1	
42	0700008-25	BOLT M10x 30-GB70	9	
43	09300010	SPRING WAHSER $\varnothing$ 8	9	
44	0119008	PIN BOLT8-GB119	2	
45	0283006	BEARING 32206-GB283	2	
46	0987752	OIL SEAL $\phi$ 50x $\phi$ 28 x 10-GB9877.1	1	
47	3002003	BEARING COVER	1	
48	0700008-20	BOLT M8 x 20-GB70	9	
49	3002004	PULLEY	1	
50	3002005	WASHER	1	
51	0109608	KEY C20 x 8-GB1096	1	
52	0578308	BOLT M8 x 20-GB5783	1	
53	3002006	BEARING COVER	2	
54	0276006	BEARING60206-GB276	2	
55	3002007	PINCH CLAMP (MSH160 & MSH160E ONLY)	1	
	3002007	PINCH CLAMP (MS250)	1	
56	3002008	BOLT M10 (MSH160 & MSH160E ONLY)	12	
57	3002009	BOLT (MSH160 & MSH160E ONLY)	1	
58	0854010	WASHER10-GB854 (MSH160 & MSH160E ONLY)	1	
59	0617010	NUT M10-GB6170 (MSH160 & MSH160E ONLY)	1	
61	3002010	SPINDLE FOR MSH160 & MSH160E	1	
	3002010-2	SPINDLE FOR MS125	1	
	3002010-3	SPINDLE FOR MS250	1	
62	3002011	UNBALANCE WEIGHT FOR MSH160 & MSH160E	1	
	3002011-2	UNBALANCE WEIGHT FOR MS125	1	
	3002011-3	UNBALANCE WEIGHT FOR MS250	1	
63	0894040	RETAINING RING40-GB894	2	
65	3002013	DIRECTION PIN	1	
67	3002014	SPINDLE	1	
68	3002015	DIRECTION HOUSING	1	
69	3002016	ROTARY COVER	1	
70	3002017	WAHSER	1	
71	0930005	SPRING WASHER5-GB93	1	
72	0700005-16	BOLT M5 X 16-GB70	1	

TO BE CONTINUED



**MS125 MSH160 MSH160E & MS250 PARTS LIST 3**

ITEM NO	PART NO	DESCRIPTION	QTY	REMARK
73	3002018	SPINDLE	1	
74	3002019	BASE COVER	1	
75	0345226	O RING $\varnothing$ 30x4	2	
76	0578308	BOLT M810X 25-GB5783	2	
77	3002020	BOARD COVER	1	
78	3002021	GASKET COVER	1	
79	0700006	BOLT M6 X 22-GB70	3	
80	0930006	SPRING WASHER 6-GB93	3	
81	0700008-30	BOLT M8 X 25-GB70	4	
82	0578614	BOLT M14 X 1.5 X 20-GB5786	2	
83	3002022	SPRING WASHER	2	
84	0894042	RETAINING RING42-GB894	3	
85	3002023	COVER GASKET	3	
86	3002024	GEAR	1	
87	0109612	KEY A12 X 20-GB1096	1	
88	3002025	SPACER FOR MSH160 & MSH160E&MS250	1	
88	3002025-2	SPACER FOR MS125	1	
89	3002026	PULLEY SHAFT FOR MSH160 & MSH160E	1	
	3002026-2	PULLEY SHAFT FOR MS125	1	
	3002026-3	PULLEY SHAFT FOR MS250	1	
90	0109612	KEY A12 X 50-GB1096	1	
91	3002027	UNBALANCE WEIGHT FOR MSH160 & MSH160E	1	
	3002027-2	UNBALANCE WEIGHT FOR MS125	1	
	3002027-3	UNBALANCE WEIGHT FOR MS250	1	
92	0578208	BOLT M8 X 16	4	
93	3002028	BELT GUARD	1	
94	0276008	BEARING 16008-GB276	2	
95	3002012-1	CLUTCH BODY	2	
96	3002012-2	GEAR	1	
97	3002012-3	BOLT M8 X 30	4	
98	0617008	NUT M8-GB6170	4	
151	3002031	OIL SEAL GASKET	1	
152	3002032	OIL SEAL GASKET	1	



**MS125 MSH160 MSH160E & MS250 PARTS LIST 4**

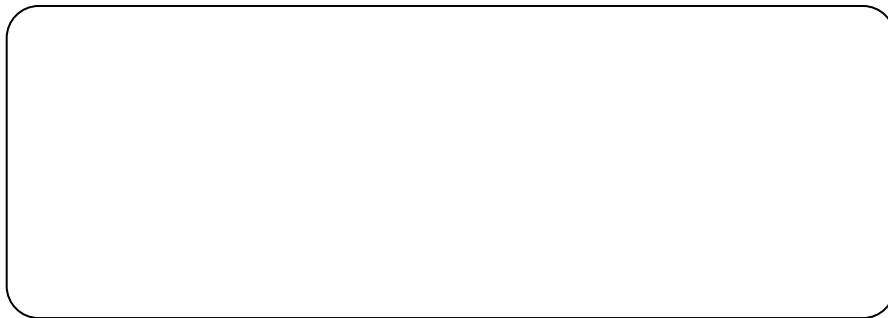
ITEM NO	PART NO	DESCRIPTION	QTY	REMARK
105	0578012-60	NUT M12 X 60 - GB5780 FOR MSH160 & MSH160E	2	
	0578012-60	NUT M12 X 60 - GB5780 FOR MS125	2	
106	0950012	WASHER 12 -GB95	2	
107	3006010	COLLAR FOR MSH160 & MSH160E&MS125&MS250	2	
108	3006012	NYLON COLLAR FOR MSH160 & MSH160E&MS125&MS250	2	
109	3006400	VIBRATION DAMPER FOR MSH160 & MSH160E&MS250	2	
	3006400-2	VIBRATION DAMPER FOR MS125	2	
110	0578008-20	NUT M8 X 20- GB5780	4	
111	0950008	WASHER 8 - GB95	4	
112	3006200	VIBRATION DAMPER FOR MSH160 & MSH160E&MS250	1	
	3006200-2	VIBRATION DAMPER FOR MS125	1	
116	0617320	BOLT M20 X 1.5 - GB6173	2	116~120,134 FOR THE COMPONENT
117	3006004	PIN	1	
118	3006005	SPRING	1	
119	3006007	SCREW ROD	1	
120	3006009	PULLING HANDLE	1	
121	0701006-45	NUT M6 X 45- GB701	3	
122	0859006	SPRING WASHER 6 - GB859	3	
123	3006006-3	TRAVEL LEVER	1	
124	0701008-30	NUT M8 X 30 - GB701	2	
125	0950008	WASHER 8 - GB95	2	

**MS125 MSH160 MSH160E & MS250 PARTS LIST 4**

ITEM NO	PART NO	DESCRIPTION	QTY	REMARK
126	AR680805001	THROTTLE LEVER ASSY. (OPTIONAL)	1	
127	0701008-25	NUT M8 X 25 - GB701	2	
129	0950008	WASHER 8 - GB95	2	
130	3006500	HANDLE FOR MSH160 & MSH160E & MS250	1	
	3006500-2	HANDLE FOR MS125	1	
131	0701008-20	NUT M8 X 20 - GB701 (OPTIONAL)	3	
132	0859008	SPRING WASHER 8 - GB859 (OPTIONAL)	3	
133	3006601	CLIP (OPTIONAL)	3	
134	3006013	KEY	1	116~120,134 FOR THE COMPONENT
143	3006014	HANDLE FOR MSH160 & MSH160E	1	
	3006014-2	HANDLE FOR MS125	1	
	3006014-3	HANDLE FOR MS250	1	
144	3006015-3	CABLE FOR MSH160 & MSH160E	1	
	3006015-3A	CABLE FOR MS125	1	
	3006015-3B	CABLE FOR MS250	1	
148	A3006017-1	THROTTLE WIRE (OPTIONAL) FOR MSH160 & MSH160E&MS125	1	
	A3006017-2	THROTTLE WIRE (OPTIONAL) FOR MS250	1	
	A3006017-3	THROTTLE WIRE (OPTIONAL) FOR MS250	1	
153	0930008	SPRING WASHER 8 - GB95	2	
154	3006018	NYLON COLLAR FOR MSH160 & MSH160E& MS250	2	



*Distributed By*



**Manufacturer:**

Carlow Hire & Sales Ltd,  
T/A Doyle's Importers & Distributors  
Shamrock Commercial Park, Dublin Road,  
Castlecomer, County Kilkenny. Ireland  
Tel: +353 564441988 Fax:+353 564441978

Website: [www.doyles.ie](http://www.doyles.ie)